

Service Guide

HP 8711C/12C/13C/14C RF Network Analyzers and HP 8730A Tuner Analyzer



**HP Part No. 08712-90059
Printed in USA October 1996**

Notice.

The information contained in this document is subject to change without notice.

Hewlett-Packard makes no warranty of any kind with regard to this material, including but not limited to, the implied warranties of merchantability and fitness for a particular purpose. Hewlett-Packard shall not be liable for errors contained herein or for incidental or consequential damages in connection with the furnishing, performance, or use of this material.

Windows[®] is a registered trademark of Microsoft Corporation.

TORX[®] is a registered trademark of TORX Products, division of Camcar/Textron Corporation.

© Copyright Hewlett-Packard Company 1996

All Rights Reserved. Reproduction, adaptation, or translation without prior written permission is prohibited, except as allowed under the copyright laws.

1400 Fountaingrove Parkway, Santa Rosa, CA 95403-1799, USA

Certification

Hewlett-Packard Company certifies that this product met its published specifications at the time of shipment from the factory. Hewlett-Packard further certifies that its calibration measurements are traceable to the United States National Institute of Standards and Technology, to the extent allowed by the Institute's calibration facility, and to the calibration facilities of other International Standards Organization members.

Regulatory Information

The regulatory information is in the *User's Guide* supplied with the analyzer.

Safety, Warranty, and Assistance

Refer to Chapter 9 for information on safety, warranty, and assistance.

How to Use This Guide

This guide uses the following conventions:

- Front-Panel Key** This represents a key physically located on the instrument.
- Softkey** This indicates a "softkey," a key whose label is determined by the instrument's firmware, and is displayed on the right side of the instrument's screen next to the eight unlabeled keys.
- Screen Text** This indicates text displayed on the instrument's screen.

This guide contains servicing information for the following

instruments:

- HP 8711C
- HP 8712C
- HP 8713C
- HP 8714C
- HP 8730A

Note Servicing information for the HP 87030A tuner test set is included in a separate manual.

Contents

1. Performance Tests	
System Specifications Summary	1-2
Measurement Port Specifications	1-2
Source Specifications	1-2
Receiver Specifications	1-3
System Specifications	1-5
Performing the Operator's Check	1-6
Make a Transmission Measurement	1-7
Make a Broadband Power Measurement	1-8
Make a Reflection Measurement	1-9
If the Analyzer Fails the Operator's Check	1-10
Instructions for Using the Analyzer Performance Test Software	1-11
Introduction	1-11
Estimated Time	1-11
Equipment	1-12
File Structure	1-14
Configuration File	1-15
Getting Started	1-15
Performance Test Software Installation	1-16
Configuration Menu	1-16
The analyzer's HP-IB address (716)	1-16
The ISC for the test equipment (7)	1-16
The power meter model number (HP 437B) and address (13)	1-16
The spectrum analyzer (HP 8566B) and address (18)	1-16
The function generator model number (HP 8116A) and address (14)	1-16
The attenuator switch driver model number (HP 11713A) and address (28)	1-17
The frequency counter model number (HP 5342A) and address (02)	1-17
The voltmeter model number (HP 3456A) and address (22)	1-17
The printer address (01)	1-17
The program directory and the mass storage unit specifier (the current MSI device)	1-17
The data directory and MSUS	1-17
The sensor's, external 10 dB step attenuator's, and fixed attenuator's (pad's) serial numbers (xxxx)	1-17
The step attenuator's 40 dB card selection (3)	1-17
The beeper (on)	1-18
The current DUT file suffix (1)	1-18
Sensors	1-18
20 dB Attenuators (Pads)	1-18
External 10 dB Step Attenuator	1-18
Using the Program	1-19
Main Menu	1-19
Test Selection Menu	1-20
Miscellaneous Information	1-21
Individual Test Notes And Descriptions	1-21
Frequency Accuracy	1-21

Gain Compression	1-21
Noise Floor	1-22
Dynamic Accuracy	1-22
Power Flatness	1-23
Absolute Power Accuracy	1-23
Broadband Frequency Response	1-24
Directivity (includes source match, test port match, and reflection tracking)	1-24
Spurs (including harmonics)	1-25
AM Delay Modulator (Option 1DA/1DB analyzers only)	1-26
Trace Noise	1-26
2. Adjustments	
Correction Constants (CCs) Adjustments	2-3
Fractional-N VCO Adjustment	2-4
Required Equipment	2-4
Warm-up Time	2-4
Estimated Adjustment Time	2-4
Procedure	2-4
Fractional-N Spur Adjustment	2-7
Required Equipment	2-7
Warm-up Time	2-7
Estimated Adjustment Time	2-7
Procedure	2-7
Frequency Accuracy Adjustment	2-11
Required Equipment	2-11
Warm-up Time	2-11
Estimated Adjustment Time	2-11
Procedure	2-11
Set Serial Number, Adjustment #100	2-13
Required Equipment	2-13
Estimated Adjustment Time	2-13
Procedure	2-13
In Case of Difficulty	2-14
LO Power Correction, Adjustment #101	2-15
Required Equipment	2-15
Warm-up Time	2-15
Estimated Adjustment Time	2-15
Procedure	2-15
Switched Gain Correction, Adjustment #102	2-16
Required Equipment	2-16
Warm-up Time	2-16
Estimated Adjustment Time	2-16
Procedure	2-16
External Detector Correction, Adjustment #103	2-18
Required Equipment	2-18
Warm-up Time	2-19
Estimated Adjustment Time	2-19
Procedure	2-19
Auxiliary Input Correction, Adjustment #111	2-20
Required Equipment	2-20
Warm-up Time	2-20
Estimated Adjustment Time	2-20
Procedure	2-20
Source Power (ALC) Correction, Adjustment #104	2-21
Required Equipment	2-21

Warm-up Time	2-21
Estimated Adjustment Time	2-21
Procedure	2-22
In Case of Difficulty	2-22
B Amplitude Correction, Adjustment #105	2-24
Required Equipment	2-24
Warm-up Time	2-24
Estimated Adjustment Time	2-24
Procedure	2-24
Transmission (B/R) Correction, Adjustment #106	2-25
Required Equipment	2-25
Warm-up Time	2-25
Estimated Adjustment Time	2-25
Procedure	2-25
B* Amplitude Correction, Adjustment #110	2-26
Required Equipment	2-26
Warm-up Time	2-26
Estimated Adjustment Time	2-26
Procedure	2-26
AM Delay Correction, Adjustment #112	2-27
Required Equipment	2-27
Warm-up Time	2-27
Estimated Adjustment Time	2-27
Procedure	2-27
Reflection (One-Port) Correction, Adjustment #107	2-28
Required Equipment	2-28
Warm-up Time	2-28
Estimated Adjustment Time	2-28
Procedure	2-28
R* Amplitude Correction, Adjustment #108	2-29
Required Equipment	2-29
Warm-up Time	2-29
Estimated Adjustment Time	2-29
Procedure	2-29
R* Frequency Response Correction, Adjustment #109	2-30
Required Equipment	2-30
Warm-up Time	2-30
Estimated Adjustment Time	2-30
Procedure	2-30

3. Assembly Replacement

Introduction	3-1
Required Tools	3-1
Major Assembly Removal/Replacement	3-2
A1 Front Panel Assembly Replacement	3-3
How to Remove the Front Panel Assembly	3-4
A2 CPU Board Assembly Replacement	3-5
How to Remove the CPU Board Assembly	3-6
A3 Fractional-N/Reference Assembly Replacement	3-9
How to Remove the Fractional-N/Reference Assembly	3-9
A4 Source Assembly Replacement	3-10
How to Remove the Source Assembly	3-10
A5 Receiver Assembly Replacement	3-11
How to Remove the Receiver Assembly	3-12
A6 Power Supply Assembly Replacement	3-13

How to Remove the Power Supply Assembly	3-13
A7 Display Assembly Replacement	3-14
How to Remove the Display Assembly	3-14
How to replace the power switch or brightness control	3-14
How to Adjust the Position of the CRT	3-14
A8 3.5" Internal Disk Drive Assembly Replacement	3-15
How to Remove the 3.5" Disk Drive Assembly	3-15
Attenuator Replacement	3-15
AM Delay Modulator Replacement	3-15
Post Repair Procedures	3-16
How to Order Parts	3-17
Save Money by Ordering R-E (Rebuilt-Exchange) Assemblies	3-17
Save Time by Calling (800) 227-8164	3-17

4. Troubleshooting and Block Diagrams

Introduction	4-1
General Notes	4-1
Service Kit	4-3
How to Use the Extender Board	4-4
Initial Observations - Normal Power-up Sequence	4-5
Operator's Check	4-6
Category 1 Failures - Dead or No Response, No Display, Unreadable Display, or Error Messages on the Display	4-7
Troubleshooting A6 Power Supply Assembly Problems	4-7
Check the Rear Panel LEDs	4-7
Measure the Power Supply Voltages	4-8
Remove Assemblies	4-8
Troubleshooting Digital Group Problems	4-9
Error During Power-up	4-9
Test Status LEDs	4-10
Test Status LEDs code	4-10
Error Occurs During DSP Initialization or Calculating Coefficients	4-14
Clear the Nonvolatile SRAM	4-14
Measure the 5 MHz Reference Signal	4-14
Front Panel Problems	4-15
Other Power-Up Problems	4-15
Other Error messages	4-16
Category 2 Failures - No Error Message, but Nonfunctional Measurement	4-17
Troubleshooting the A3 Fractional-N/Reference Assembly	4-17
Check the Output Power	4-17
Phase Lock Problems	4-17
Detailed Fractional-N/Reference Troubleshooting	4-18
Troubleshooting the A4 Source Assembly	4-19
Troubleshooting the A5 Receiver Assembly	4-19
A5 Receiver Assembly Diode Replacement	4-21
Trace at ± 200 dB	4-24
Detailed Receiver Troubleshooting	4-24
Category 3 Failures - Inaccurate (but reasonably functional) Measurements	4-25
Troubleshooting Spurious Responses and Inaccurate Data	4-25
Spurious Signals	4-25
Spurs in the Data Trace	4-26
Inaccurate Data	4-26
Receiver Power Problems	4-27
Category 4 Failures: Peripheral Device Problems	4-28
DIN Keyboard	4-28

RS-232 Printers and Plotters	4-28
Centronics (Parallel) Printers and Plotters	4-28
HP-IB Systems	4-29
HP-IB Problems with Printers or Plotters	4-29
General Checks for HP-IB Systems	4-29
LAN Troubleshooting (Option 1F7)	4-29
Ping Command	4-30
How to Ping	4-30
Testing Between Two Analyzers	4-31
Available HP LAN Cables	4-33
5. Service Related Menus	
Introduction	5-1
Tests and Adjustments Menu	5-3
Select Self-Test Menu	5-3
Select Adjustment Menu	5-5
Instrument Info	5-7
Update Corr Const Menu	5-7
Service Utilities Menu 1	5-8
Meas Cal Options Menu	5-10
Analog Bus Menu	5-10
Service Utilities Menu 2	5-12
Service Utilities Menu 3	5-12
View Array Master Menu/View Array Interpol Menu	5-13
Miscellaneous Service Functions	5-13
Clearing Nonvolatile Memory (SRAM)	5-13
HP-IB Command Reference for Service	5-14
Syntax Summary	5-14
Softkey SCPI Commands	5-14
Alphabetical SCPI Command Summary	5-15
6. Theory of Operation	
Introduction	6-1
System Theory	6-1
Analyzer Functional Group	6-2
Power Supply Theory	6-2
Digital Control Theory	6-2
A1 Front Panel Assembly	6-2
A2 CPU Assembly	6-2
A7 Display Assembly	6-3
A8 3.5" Internal Disk Drive Assembly	6-3
Source Theory	6-4
A3 Fractional-N/Reference Assembly	6-4
A4 Source Assembly	6-4
Receiver Theory	6-6
Differences Between the HP 8711C/12C/30A and HP 8713C/14C (1300 MHz vs 3000 MHz)	6-7
HP 8713C/14C A4 Source Assembly	6-7
A5 Receiver Assembly	6-8

7. Parts List	
Analyzer Hardware	7-1
Specific Assembly and Cable Locations	7-1
8. Correction Constants and Firmware	
Storing and Recalling Correction Constants (CC)	8-1
Storing Correction Constants to Disk	8-2
Loading Correction Constants from Disk	8-3
Storing Correction Constants to EPROM	8-3
Installing Correction Constants from Disk	8-3
In Case of Difficulties	8-3
Upgrading or Re-Installing Firmware	8-4
How to Upgrade or Re-Install the Firmware	8-4
9. Safety, Warranty, and Assistance	
Safety Symbols	9-1
General Safety Considerations	9-2
Safety Earth Ground	9-2
Servicing	9-2
Warranty	9-3
Limitation of Warranty	9-3
Exclusive Remedies	9-3
Assistance	9-4
Shipment for Service	9-4

Index

Figures

1-1. Equipment Setup for Transmission Measurement	1-7
1-2. Typical HP 8713C/14C Transmission Measurement	1-7
1-3. Typical HP 8713C/14C Broadband Power Measurement	1-8
1-4. Typical HP 8713C/14C Reflection Measurement	1-9
1-5. Connect the Load	1-10
2-1. Removing the Handles and Front Panel	2-5
2-2. TP11 and L162 for Fractional-N VCO Adjustment	2-6
2-3. Removing the Handles and Front Panel	2-8
2-4. Setup for Fractional-N Spur Adjustments	2-9
2-5. API and 100 kHz Adjustments	2-10
2-6. Setup for Frequency Accuracy Adjustment	2-11
2-7. Removing the Handles and Front Panel	2-12
2-8. External Detector Connector, Front View	2-18
2-9. Setup for Source Power Correction	2-22
3-1. Removing the Handles and Front Panel Assembly	3-3
3-2. Removing the CPU Assembly	3-5
3-3. BootROM U335, Component Location	3-7
3-4. Removing the Fractional-N/Reference Assembly	3-9
3-5. Removing the A4 Source Assembly	3-10
3-6. Anchoring Screw Locations for A5 Receiver Removal	3-12
3-7. A8 Disk Drive Jumper Configuration	3-15
4-1. Example of an Antistatic Workstation	4-2
4-2. Connecting the Extender Board	4-5
4-3. Power Supply Connector, as Viewed from Rear Panel	4-8
4-4. HP 8711C/12C/30A Reflection Measurement with Through Cable	4-20
4-5. HP 8713C/14C Reflection Measurement with Through Cable	4-20
4-6. HP 8711C/12C/30A A5CR1, CR2, CR36, and CR37 Component Locations	4-22
4-7. HP 8713C/14C A5CR45, CR46, CR47, CR48, CR53, and CR54 Component Locations	4-23
4-8. Construction of a Cross-over Cable	4-32
4-9. HP 8711C/12C/30A Overall Block Diagram	4-35
4-10. HP 8713C/14C A4 Source and A5 Receiver Assemblies Block Diagram	4-37
5-1. The Service Key Menus	5-2
6-1. Simplified Analyzer System Block Diagram	6-1
6-2. Simplified HP 8711C/12C/30A A4 Source Block Diagram	6-5
6-3. Simplified Receiver Block Diagram	6-6
8-1. Correction Constants Flow by Keystroke and Cycling Power	8-1

Tables

1-1. Required Equipment for the Adjustments and Performance Tests	1-13
3-1. Post Repair Procedures	3-16
4-1. Analyzer Self-Tests	4-11
4-2. Source Frequency Versus Fractional-N Frequency	4-18
5-1. Analyzer Self-Tests	5-4
5-2. Analyzer Adjustments	5-6
5-3. Analyzer Correction Constant Storage Arrays	5-9
5-4. Analog Bus Nodes	5-11
5-5. Softkey SCPI Commands	5-14
5-6. Alphabetical SCPI Command Summary	5-15
7-1. HP 8711C/12C/30A Major Assembly and Cable Locations	7-2
7-2. HP 8713C/14C Major Assembly and Cable Locations	7-3
7-3. A1 Front Panel Assembly and Cable Locations	7-4
7-4. A2 CPU Assembly and Cable Locations	7-5
7-5. A3 Fractional-N/Reference Assembly and Cable Locations	7-6
7-6. HP 8711C/12C/30A A4 Source Assembly and Cable Locations	7-7
7-7. HP 8713C/14C A4 Source Assembly and Cable Locations	7-8
7-8. HP 8711C/12C A5 Receiver Assembly and Cable Locations	7-9
7-9. HP 8711C/12C A5 Receiver Optional Configurations Assembly and Cable Locations	7-10
7-10. HP 8730A A5 Receiver Assembly and Cable Locations	7-11
7-11. HP 8713C/14C A5 Receiver Assembly and Cable Locations	7-12
7-12. HP 8713C/14C A5 Receiver Optional Configurations Assembly and Cable Locations	7-13
7-13. A6 Power Supply Assembly and Cable Locations	7-14
7-14. A7 Display Assembly and Cable Locations	7-15
7-15. Cabinet and Miscellaneous Parts	7-16
9-1. Hewlett-Packard Sales and Service Offices	9-5

Performance Tests

This chapter is divided into three parts:

- the system specifications summary,
- performing the operator's check, and
- instructions for using the analyzer performance test software.

The operator's check can be used as a quick 80% confidence test. The only equipment required for this check is a type-N cable and a good quality 50Ω type-N load (75Ω for the HP 8730A or Option 1EC analyzers).

The performance tests will verify that the analyzer meets its published specification with greater than a 95% confidence level. The performance tests are completely automated. The performance test software is written for an HP 9000 Series 200, 300, or 700 computer (or equivalent), HP BASIC 5.1 or greater. However, it will also run on a PC system with an HP BASIC language processor card (HP 82324B or equivalent). There are no manual tests provided, nor are any test record cards provided.

Note If you would like to order the analyzer performance test software (p/n 08712-10017), contact your nearest Hewlett-Packard sales or service office. See Table 9-1 in the "Safety, Warranty, and Assistance" chapter.

Note There is also a version of this program that will run on a PC without an HP BASIC language processor card (see Chapter 7, "Parts List"). This program requires the use of HP BASIC for Windows® (E2060B), a separate program, and an HP-IB interface card. Operation is essentially identical to that described for an HP workstation computer.

Results of the automated performance tests can be printed out at any time. They include all specifications, limits, and uncertainties. Although no manual test is provided, each test is described in enough detail below to allow a knowledgeable technician to perform all needed tests in an accurate manner.

System Specifications Summary

The specifications and characteristics in this section describe the system performance of the analyzer. These specifications are valid only after the analyzer has been turned on and allowed to warm up for at least one hour.

This section is a summary of the full System Specifications. For a complete listing of the analyzer's specifications, see "Specifications and Characteristics" in the *User's Guide*.

Specifications (indicated by boldface type) describe the analyzer's warranted performance over the temperature range of $25^{\circ}\text{C} \pm 5^{\circ}\text{C}$, unless otherwise stated.

Supplemental characteristics (indicated by italics) are typical, but nonwarranted parameters, intended to provide information useful in applying the analyzer.

Measurement Port Specifications

The following specifications describe the residual system uncertainties. These specifications apply after a user enhanced response calibration has been performed and within an environmental temperature range of $25^{\circ}\text{C} \pm 5^{\circ}\text{C}$, with less than 1°C deviation from the calibration temperature.

Directivity and Source Match

Directivity HP 8711C/12C/13C/14C/30A	40 dB
Source match HP 8711C/12C/13C/14C/30A	30 dB

Load Match

HP 8711C/12C/30A <i>300 kHz to 1000 MHz</i>	<i>20 dB</i>
<i>1000 kHz to 1300 MHz</i>	<i>18 dB</i>
HP 8730A Only <i>10 MHz to 100 MHz</i>	<i>30 dB</i>
HP 8713C/14C <i>300 kHz to 1300 MHz</i>	<i>20 dB</i>
<i>>1300 MHz to 3000 MHz</i>	<i>18 dB</i>

Source Specifications

Frequency

Range HP 8711C/12C/30A HP 8713C/14C	300 kHz to 1300 MHz 300 kHz to 3000 MHz
Accuracy	± 5 ppm at $25^{\circ}\text{C} \pm 5^{\circ}\text{C}$ <i><1 Hz at 10% change in line voltage</i>

Output Power

Level Accuracy¹ HP 8711C/12C/13C/14C HP 8730A	±1.0 dB ±1.5 dB (Option 1EC, 75Ω) ±2.0 dB (Option 1E1, Attenuator) ±3.0 dB (Options 1EC and 1E1) ±3.0 dB
---	--

¹ All power characteristics for HP 8713C/14C analyzers with Option 1EC (75Ω ports) are typical above 2000 MHz.

Maximum Test Port Power

Frequency	HP 8711C/12C (Std)	HP 8730A	HP 8713C/14C (Std)
≤1000 MHz	+16 dBm ¹	+12 dBm	+10 dBm ¹
>1000 MHz	+13 dBm ¹	+9 dBm	+10 dBm ¹

¹ Subtract from the above maximum levels the sum of: 3 dB for 75Ω (Option 1EC), 1 dB for internal attenuator (Option 1E1), 2 dB for AM delay (HP 8711C/12C Option 1DA/1DB), and 4 dB for AM delay (HP 8713C/14C Option 1DA/1DB).

Source Harmonics

Frequency	HP 8711C/12C/30A	HP 8713C/14C
<1 MHz	<-20 dBc	<-30 dBc
≥1 MHz	<-30 dBc	<-30 dBc

Signal Purity

Parameter	HP 8711C/12C/30A	HP 8713C/14C
<i>Nonharmonic Spurious</i>		
<i>≥50 kHz from carrier</i>		
<1 MHz	<-20 dBc	<-30 dBc
≥1 MHz	<-30 dBc	<-30 dBc
<50 kHz from carrier	<-25 dBc	<-25 dBc

Receiver Specifications

Frequency Range

Type of Detection	HP 8711C/12C/30A	HP 8713C/14C
narrowband	0.3 to 1300 MHz	0.3 to 3000 MHz
broadband	10 to 1300 MHz	10 to 3000 MHz

Typical Frequency Response (broadband)

HP 8711C/12C/30A	HP 8713C/14C
± 0.5 dB	± 1.0 dB

Total Power Accuracy (broadband)

Total Power Accuracy = Absolute Power Accuracy + Frequency Response

Dynamic Range (Narrowband)

Frequency	HP 8711C/12C (50 Ω)	HP 8711C/12C/30A (75 Ω)	HP 8713C/14C (50 Ω)	HP 8713C/14C (75 Ω)
<5 MHz	>60 dB	>57 dB	>100 dB	>97 dB
≥ 5 MHz	>100 dB	>97 dB	>100 dB	>97 dB

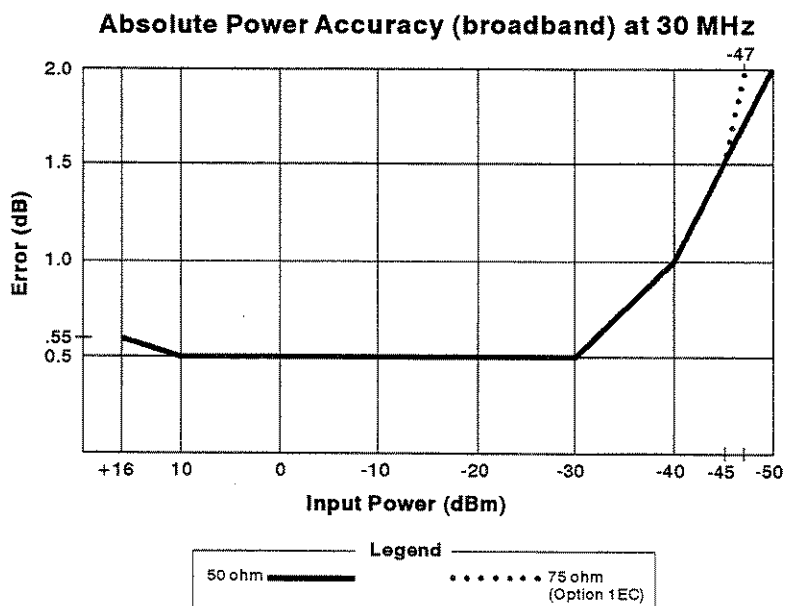
Maximum Input

Type of Detection	HP 8711C/12C/30A	HP 8713C/14C
narrowband ¹	+10 dBm	+10 dBm
broadband ²	+16 dBm	+16 dBm

1 ± 0.5 dB compression

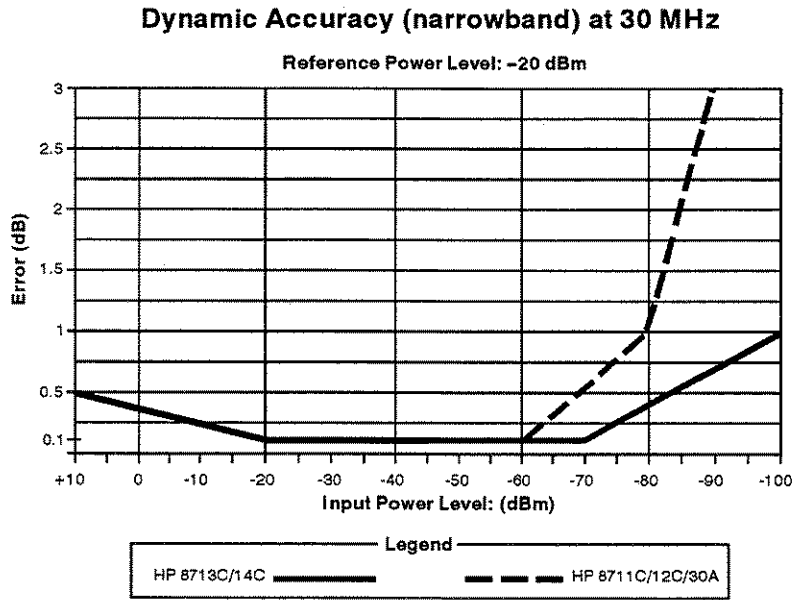
2 at 0.55 dB compression

Absolute Power Accuracy (broadband)



po884b_c

Dynamic Accuracy (narrowband)



sd612c

System Specifications

Trace Noise (Transmission, 0 dBm, excludes frequency response)

Parameter	HP 8711C/12C/30A	HP 8713C/14C
medium IF bandwidth ¹	±0.2 dB	±0.2 dB
narrow IF bandwidth ²	±0.1 dB	±0.05 dB

1 3700 Hz

2 250 Hz

Performing the Operator's Check

The operator's check should be performed when you receive your analyzer, and any time you wish to be confident that the analyzer is working properly. The operator's check does not verify that the analyzer is performing to specifications. Its purpose is to provide you with a high degree of confidence that the analyzer is performing properly if it passes.

The operator's check consists of the following: making a transmission measurement with the cable that was supplied with your analyzer, making a reflection measurement with the same cable, and making a measurement with a 50 Ω (or 75 Ω) termination. Use a known-good load, such as one from calibration kit HP 85032B/E (50 Ω) or HP 85036B/E (75 Ω).

Caution The preset power level is user-definable. When pressing **PRESET**, change the power level to 0 dBm if necessary.

Caution If you have an HP 8730A, please read the following information carefully.

The operator's check, non-automated adjustment procedures, and troubleshooting procedures all require the HP 8730A tuner analyzer to have the same preset state as a standard network analyzer. Instead of using the **PRESET** key, press the following keys to change the preset state of the HP 8730A tuner analyzer to the preset state of a standard network analyzer:

SYSTEM OPTIONS **Service**

Service Utilities **Next Menu** **Next Menu**

Inst State Utilities **Preset to 8711C**.

Make a Transmission Measurement

1. Connect the equipment as shown in Figure 1-1. Use a known good cable such as the one that was supplied with your analyzer.

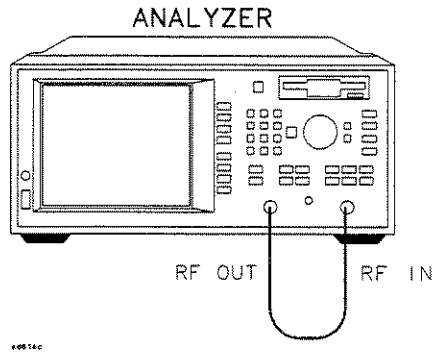


Figure 1-1. Equipment Setup for Transmission Measurement

2. Press **PRESET** (see the cautions on page 1-6) **SCALE** **.1** **ENTER**.
3. Verify that the data trace falls within ± 0.5 dB of 0 dB. See Figure 1-2 for a typical HP 8713C/14C result. The HP 8711C/12C/30A should look similar, but end at 1300 MHz.

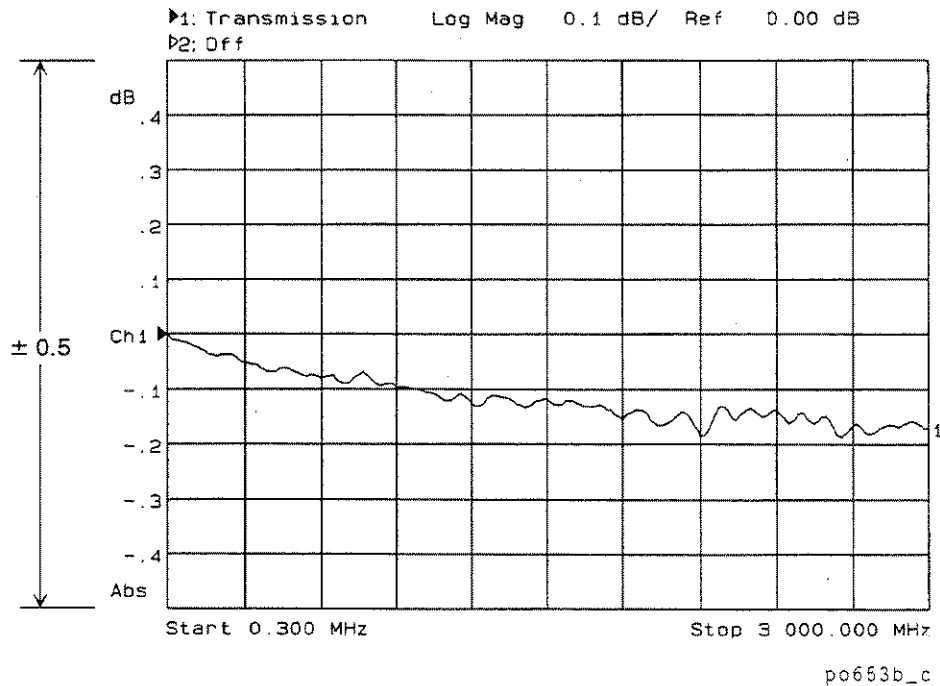


Figure 1-2. Typical HP 8713C/14C Transmission Measurement

Make a Broadband Power Measurement

1. Leave the cable connected to the analyzer.
2. Press **MEAS1** **More** **Power** **FREQ** **Start** **10 MHz** **SCALE** **1** **ENTER**.
3. Verify that the data trace is within ± 2 dB of 0 dBm. See Figure 1-3 for a typical HP 8713C/14C trace.

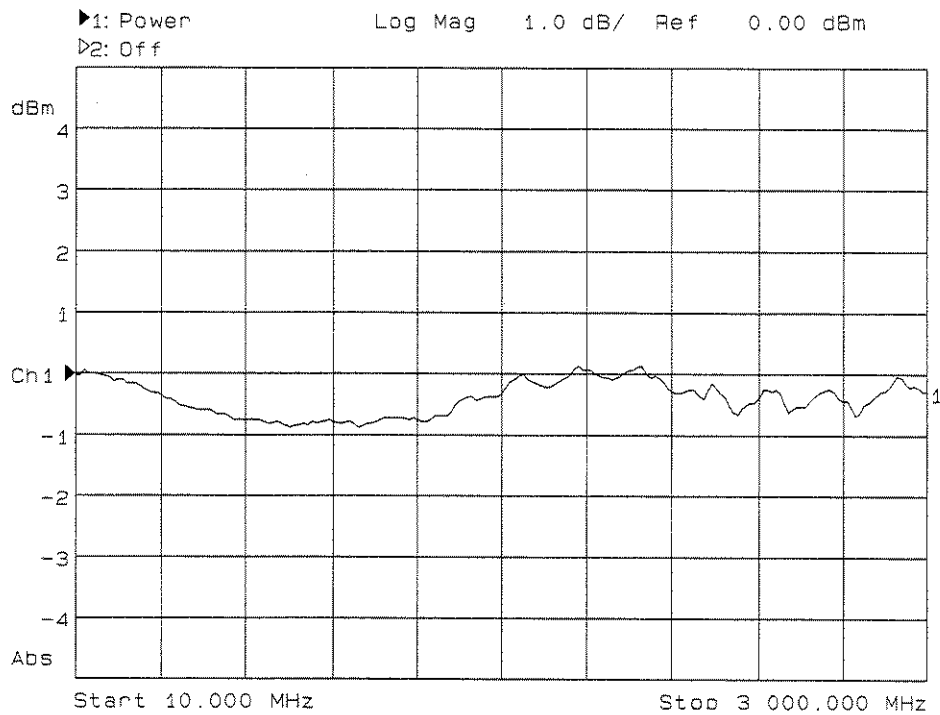


Figure 1-3. Typical HP 8713C/14C Broadband Power Measurement

Make a Reflection Measurement

1. Leave the cable connected to the analyzer.
2. Press **PRESET** (see the cautions on page 1-6) **MEAS1** **Reflection**.
3. Verify that the data trace falls completely below -16 dB. See Figure 1-4 for a typical HP 8713C/14C trace.

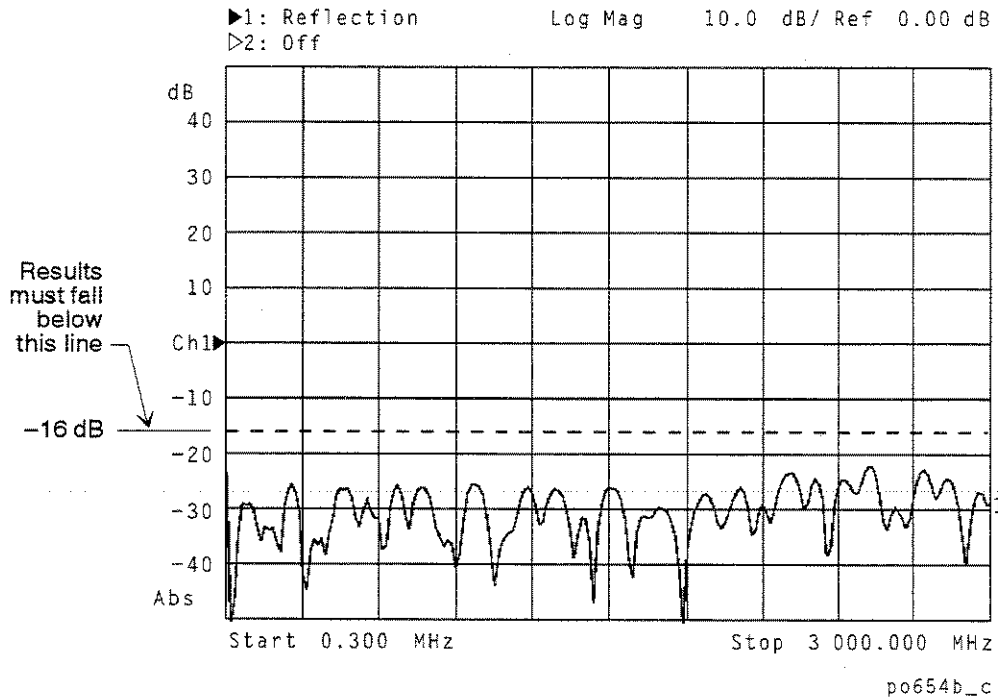


Figure 1-4. Typical HP 8713C/14C Reflection Measurement

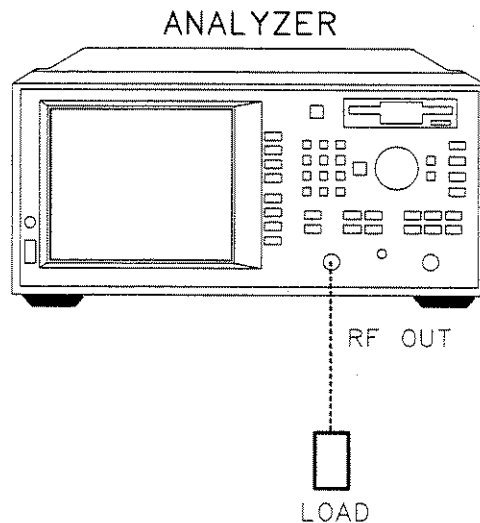


Figure 1-5. Connect the Load

4. Disconnect the cable and connect a known good load to the RF OUT port as shown in Figure 1-5.
5. Verify that the data trace falls below -30 dB. If the data trace is off the screen, press **SCALE Reference Level** and the **↕** key until the trace moves up onto the screen.

This concludes the Operator's Check. However, further confidence can be obtained by performing the following:

- Measure a known filter to verify that its measured response is the same as is expected. (A 175 MHz filter is supplied with the HP 8711C/12C/13C/14C.) Verify both the frequency accuracy and noise floor.
- Check broadband response with filter using conversion-loss mode (same as B*/R*).
- If the analyzer's frequency accuracy is critical for your application, verify a CW frequency using a frequency counter. Verify to $\pm 0.005\%$ accuracy (for example, ± 2500 Hz at 500 MHz). Ensure that the analyzer is placed in trigger-hold mode (press **MENU Trigger Hold**) to measure frequencies.

If the Analyzer Fails the Operator's Check

First, repeat the operator's check using a different cable and load to eliminate these as a possible cause of failure.

If your analyzer does not meet the criteria in the operator's check, your analyzer may need servicing. Have a qualified service technician check the analyzer or contact any Hewlett-Packard sales or service office for assistance. Refer to Table 9-1, "Hewlett-Packard Sales and Service Offices" in Chapter 9, "Safety, Warranty, and Assistance," for the nearest office.

Instructions for Using the Analyzer Performance Test Software

Introduction

The performance test software, HP part number 08712-10017 (LIF) and 08712-10018 (DOS), is designed to automate all the performance verification tests for the HP 8711C/12C/13C/14C, and HP 8730A as well as the required automated fractional-N spur adjustments. It will test all option combinations, including both 50 Ω and 75 Ω versions (only the 75 Ω versions apply to the HP 8730A).

An HP 9000 Series 200/300/700 (or equivalent) computer with BASIC 5.1 or greater is required to run the LIF version of the software. However, it will also run on a PC system with an HP BASIC language processor card (HP 82324B or equivalent). The DOS version will run on any PC compatible computer that has HP BASIC for Windows installed and an HP-IB interface card. HP BASIC for Windows is a separate product which may be purchased as HP model number E2060B. Operation under either platform is nearly identical.

Note This program cannot be used to test an HP 8711A or any HP 871xB. To test an HP 8711A, order HP part number 08711-10011. To test an HP 871xB, order HP part number 08712-10011. Both of these programs are in LIF format only.

Note All the data files and configuration files used in this program are compatible with the previous HP 871xB version of this program (HP part number 08712-10012). It is not necessary to regenerate or modify any of these files. If you are adding this program to the same directory as the HP871xB software, only the main program file (CAL871XC) need be transferred.

The performance test software is provided on a single disk. You can run the program directly from the disk, although it is recommended that you run it from your system's hard disk for best performance. Generally, the program can be stopped, reset and re-run with little or no loss of data. The LIF version program will operate on a LIF-based system, or an SRM/HFS environment. The DOS version is limited to DOS environments.

Operation is a simple menu driven system with some softkey selections. For ease of use, the **RETURN**/**ENTER**/**EXECUTE** key can always be used as softkey #1: the most frequently used key.

Note All necessary instructions and test setup diagrams are contained within the program.

A disk file is generated for each analyzer, and the results of each test are stored in that file. This file is updated after each test so that results will not be accidentally lost. A printout can be obtained for any previously tested analyzer.

Estimated Time

Before running the performance tests, turn on the analyzer and allow it to warm up for one hour. Performance test times are kept to a minimum, allowing analyzers to be fully tested within one hour after the initial warm-up.

Note

When testing an HP 8730A, the HP 87030A tuner test set should be disconnected. Ignore any error messages indicating that the analyzer cannot communicate with the test set.

Equipment

Besides a computer, printer, RF cables, BNC cables, HP-IB cables, and adapters, Table 1-1 lists the equipment that is required to test and adjust the analyzer.

**Table 1-1.
Required Equipment for the Adjustments and Performance Tests**

Description	HP Model #	50Ω STD		75Ω		Notes
		ADJ	PERF	ADJ	PERF	
Function generator	HP 8116A	-	X	-	X	No substitute
Power meter	HP 437B, HP 438A	X	X	X	X	Do <i>not</i> use an HP 436A.
Power sensor, 50Ω	HP 8482A	X	X	X	X	
Power sensor, 75Ω	HP 8483A	-	-	-	X	
Low power sensor	HP 8481D	X	-	X	-	For the HP 8730A or Option 1E1.
Cal kit type-N 50Ω	HP 85032B Opt 001 ¹	X	X	-	-	
Cal kit type-N 75Ω	HP 85036B	-	-	X	X	
External 10 dB step attenuator	HP 8496A/G	-	X	-	X	
Attenuator/switch driver	HP 11713A	-	X	-	X	Needed for "G" version external 10 dB step attenuators only
Spectrum analyzer	HP 8560 series, HP 8566B	X	X	X	X	Others may be substituted, optional for adjustments
20 dB attenuator 50Ω	HP 8491A/B/C Opt 020	X	X	-	-	Required for adjustments only if analyzer does not have an internal attenuator installed.
20 dB attenuator 75Ω ²	0955-0768	-	-	X	X	See note for 20 dB 50Ω attenuator.
10 dB attenuator 50Ω	HP 8491A/B/C Opt 010	X	-	-	-	May not be required for HP 8713C/14C
6 dB attenuator 50Ω	HP 8491A/B/C Opt 006	-	X	-	-	
3 dB attenuator 50Ω	HP 8491A/B/C Opt 003	-	X	-	-	
3 dB attenuator 75Ω	0955-0765	-	-	-	X	
Power splitter, 50Ω	0955-0751, 11667A	-	X	-	-	
Power splitter, 75Ω	0955-0752	-	-	-	X	
Minimum loss pad (2)	HP 11852B	-	-	X	X	One needed for adjustments, two for performance tests.
Frequency counter	HP 5342/3A, 5350B	-	-	-	-	May not be required. ³
Precision cable 50Ω	8120-4781	X	X	X	X	
Precision cable 75Ω	8120-2408	-	-	X	-	
Service kit	08712-60012	X	-	X	-	

1 An HP 85032B Option 001 is a subset of the standard HP 85032B. This eliminates four 7-mm adapters that are not needed, resulting in a significant cost savings.

2 The 75Ω 20 dB attenuator can be substituted with two minimum loss pads and a 50Ω 10 dB attenuator. NOTE: a set of 75Ω attenuators (3,6,10,20 dB) is available as HP 86213A.

3 The frequency counter is useful when very accurate frequency measurements are needed. However, if you are using a synthesized spectrum analyzer, the frequency can be measured by using the network/tuner analyzer (thus eliminating another piece of equipment). Note that the frequency measurement using a spectrum analyzer will not be quite as accurate as a frequency counter, but it is sufficient in most cases.

File Structure

The program disk contains several different files in addition to the main program file. The following list describes the files found on the performance test software disk.

CAL871XC	This is the main program file.
Cfg_XXXX	This is the configuration file. The variable XXXX represents any user-defined name or Dflt (default). This file contains all the configuration set-ups for the program such as: <ul style="list-style-type: none">■ file directories and paths■ test equipment serial numbers■ HP-IB addresses■ types of test equipment■ other optional choices If more than one configuration file exists on the disk, the program will prompt you to select a specific configuration file to load. If none exists, the program will create a default file.
P1D_XXXX	The cal factor file for the HP 8481D sensor. The variable XXXX represents the last four digits of the HP 8481D or HP 8484A sensor's serial number.
P2A_XXXX	The cal factor file for the HP 8482A sensor. The variable XXXX represents the last four digits of the HP 8482A sensor's serial number.
P3A_XXXX	The cal factor file for the HP 8483A sensor. The variable XXXX represents the last four digits of the HP 8483A sensor's serial number.
Stp_XXXX	The actual attenuation values for the external 10 dB step attenuator. The variable XXXX represents the last four digits in the attenuator's serial number. Attenuator values are measured at 30 MHz on an accurate system (such as an HP 8902A Option 050).
Pd5_XXXX	The actual value of the 20 dB 50 Ω attenuator as measured by an accurate system. Values are attenuation versus frequency. The variable XXXX represents the last four digits in the attenuator's serial number.
Pd7_XXXX	The actual value of the 20 dB 75 Ω attenuator as measured by an accurate system. Values are attenuation versus frequency. The variable XXXX represents the last four digits in the attenuator's serial number.
d11CXXXX	The data file that holds the analyzer's test results (in this case an HP 8711C). The variable XXXX represents the last four digits in the analyzer's serial number. The file "d12CXXXX" holds data for an HP 8712C, "d13CXXXX" for an HP 8713C, etc.
CurrDUTx	The data file that holds the test results of the most recently tested analyzer regardless of model or serial number. The variable x can represent any character 0 to 9.
INSTALL	This program is not needed but will help speed the installation of the LIF version program. It will automatically copy the required files into the desired location.

Note

Several data files are present on the disk with the “xxxx” suffix. These are default files that allow operation of the program with NO correction factors. The values in these file are nominal values. For example: 100 percent for all sensor cal factors; 20 dB for the 20 dB attenuators; 10.00, 20.00, 30 . . . dB for the external step attenuator, and so on. This is provided as a convenience only to demonstrate or learn about the program. The default configuration file will access these files if no user-defined serial number is specified. A warning message will be displayed if the program is using these default files.

Configuration File

The configuration (config) file is the file that customizes this program for your usage. It contains specific information for your setup. Some of the items contained in this file include:

- the HP-IB addresses of all the test equipment
- the HP-IB address of the analyzer under test
- the model numbers of the test equipment
- the serial numbers of sensors, fixed attenuators, and the external 10 dB step attenuator
- the disk drive locations (path and directories)
- other items specific to your setup

Ideally, only one configuration file should exist on the program disk so that the program will automatically load only that file. However, it is possible to have several configuration files stored on the same disk. In this case, the program will list all of the available files and prompt you to select one. This is useful if more than one setup is commonly used or if one performance test software disk serves several workstations.

Getting Started

Caution

Make a copy of the performance test software disk for day-to-day use. The master copy should remain stored in a safe place. This will decrease the likelihood of damage to the master disk.

Note

The DOS version, which is used in conjunction with HP BASIC for Windows, requires the proper set up of the HP-IB interface card and drivers. This document assumes that users are familiar with HP BASIC for Windows — that it is running and has been properly installed and configured.

First, find all serial numbers of the calibration devices required, such as external step attenuators, sensors, and fixed attenuators for both 50 Ω and 75 Ω devices (if applicable). Verify the HP-IB addresses you will be using, as well as the mass storage directories and locations.

If you plan to operate this program only from the supplied floppy disk, insert the disk into the computer's disk drive and skip step 1 next.

Performance Test Software Installation

1. To install this program to the hard drive: either copy all files (except "INSTALL") to the hard drive, or load and run the "INSTALL" program. The INSTALL program will automatically copy all required files to your specified destination drive or directory (HFS, SRM or LIF format). The INSTALL program is only contained in the LIF software version.

Note Any directory name used must be less than 80 characters long, and preferably less than 60 characters, for best visibility.

2. Set the computer's "Mass Storage Is" (MSI) command to the directory or drive location of the main program file (CAL871XC).
3. Load and run this program. The program will display the initial screen with the software part number, revision date and current time/date. If the current time or date is incorrect, select the **SET TIME** softkey to set it.
4. Press **RESUME**. Remember, the **RETURN** key can also be used as softkey #1.
5. Press **CONFIG** to enter the configuration screen.

This menu allows you to enter all the specific information that pertains to your particular configuration (such as test equipment, addresses, and serial numbers). The configuration file's selection descriptions and their initial default values are listed below.

Configuration Menu

In this section, the default values for the parameters listed in bold type appear in parenthesis.

The analyzer's HP-IB address (716). The first selection is the analyzer (DUT) HP-IB address. Please note that this is the only address that has both the Interface Select Code (ISC) and the device number associated with it. This address can be any valid address with any valid ISC. The ISC does *not* have to be the same as all the other test equipment (which must be all on the same ISC). Generally the full address for the DUT is set to either 716 or 816. This also sets the ISC to 7 or 8 respectively. The factory default HP-IB device address for the analyzer is 16.

The ISC for the test equipment (7). The second selection is the ISC for all the associated test equipment. This is generally 7 or 8 and may be the same as that for the DUT.

The power meter model number (HP 437B) and address (13). The next two selections are for the power meter model number and address.

Caution The program will accept the HP 436A power meter as a valid selection, but it is not recommended or supported and may cause the program to halt execution.

The spectrum analyzer (HP 8566B) and address (18). Next is the spectrum analyzer selection. Any of the listed models will suffice, but keep in mind that if you do not use a frequency counter, then the spectrum analyzer must have high degree of frequency accuracy since it will be used as the frequency counter.

The function generator model number (HP 8116A) and address (14). The next selection is for the function generator and address. The HP 8116A is the only valid selection at this time.

The attenuator switch driver model number (HP 11713A) and address (28). Next is the attenuator switch driver selection and address. At this time, the only two choices are the HP 11713A and 'NONE'. If 'NONE' is selected, the program will prompt you to manually set the external 10 dB step attenuator each time it needs to be changed. Since this is inconvenient, the use of an HP 11713A with a HP 8496G model attenuator is highly recommended.

The frequency counter model number (HP 5342A) and address (02). The frequency counter model number and its address are next. If 'NONE' is selected, the program will use the spectrum analyzer to measure frequency accuracy.

The voltmeter model number (HP 3456A) and address (22). While the voltmeter and address are next, they are not currently used by this program.

The printer address (01). The printer address is next. No model number is needed here; all HP-IB printers should work equally well. For the DOS version, entering any valid number except 10 will direct the output to the attached HP-IB printer. Selecting an address of 10 will re-direct the output to the defined Windows default printer. Typically this will be a printer attached to the computer's parallel port or a networked printer.

The program directory and the mass storage unit specifier (the current MSI device). The program directory and Mass Storage Unit Specifier (MSUS) are next. These should point to the location of the CAL871XC program and all of its required data files (all the files contained on the disk). If you are running this program from a floppy disk, the program directory entry should be blank. If using an HFS or SRM system, the entire directory name should be entered here (e.g. /TESTS/ANALYZER/NETWORK/8713C). The entire length must be less than 80 characters (preferably less than 60 for easier viewing). The MSUS, which indicates the physical address of the disk drive, also has an 80-character limit. For the DOS version, this is typically just the drive letter (for example, C:). When the program is first run, the default will be the current MSI device.

The data directory and MSUS. The next two entries are the data directory and MSUS. These should point to the location where the results of each DUT will be stored (if applicable). The data directory and MSUS are otherwise similar to the program directory, including the defaults.

The sensor's, external 10 dB step attenuator's, and fixed attenuator's (pad's) serial numbers (xxxx). Six of the next seven entries will contain the LAST FOUR digits of the serial numbers for the power meter sensors, the step attenuator, and the 20 dB attenuators. This allows the program to load the proper correction values for each device.

The disk contains files that match these default serial numbers (xxxx), but the correction data contained within these files is invalid (e.g. 100 percent for all sensor cal factors). This allows the program to be run for experimental or training purposes only. As a precaution, a warning message will be displayed if a default file is loaded.

The step attenuator's 40 dB card selection (3). One of the next selections is the 40 dB step section. The HP 8496G step attenuator contains one 10 dB section, one 20 dB section, and two 40 dB sections. This step specifies which of the two 40 dB attenuator card sections of the HP 8496G step attenuator is to be used; section 3 or 4. Enter the value (3 or 4) for which you have calibration data.

For example, when the step attenuator was calibrated, one of the two 40 dB sections was selected for the 40, 50, 60, and 70 dB attenuation value. The data corresponding to the selected 40 dB section must be input to ensure valid measurement data when using attenuations of 40 dB or greater. For purposes of identification, section 3 of the attenuator is the section that is engaged when button #3 or #7 of the HP 11713A is lit.

This entry is not applicable if you are using a manual attenuator.

The beeper (on). The last selection will suppress or enable the beeper, as desired.

The current DUT file suffix (1). This file, "CurrDUTx," contains the test-result data of the current device under test. Up to ten different file names can be specified. This allows multiple users to operate from one system storage medium, such as an SRM environment. This entry can be ignored for single-user applications.

6. Once all desired changes have been made, the program will ask if you want to store the data just entered. A specific 4-character file name suffix can be provided if more than one configuration is required. Leaving the file name blank will result in the default file name of "Cfg_dflt." If the program finds only one config file, that file will be loaded automatically. If more than one is discovered, the program will list the file names found and allow you to choose one. At this point the program will also ask you if a hardcopy printout is desired.

7. After the config file has been generated, the proper data files containing the correction values must be generated. Press **CAL DATA ENTRY**. You will be shown a list including:

- 3 sensors
- an external 10 dB step attenuator
- two 20 dB attenuators (pads)

You will need to enter the correction data for every piece of test equipment included in this list that you will be using to test the analyzer. Select the desired item.

Sensors. All sensors require both frequency and cal factor data. Frequencies must always be in MHz and cal factors in percent. The first entry requested will be the last four digits of the serial number. The computer will search for a current configuration file containing this information. If one is present, the program will query you to either view or edit the old values.

Assuming you are editing the data, the 50 MHz reference cal factor will be requested next. This value must use percent as its units and be within the range of 50 and 150 percent.

After the cal factor is entered, the program will request that all frequency/cal factor pairs be entered. You must start with the lowest frequency for which you have data and sequentially enter higher frequencies until done. Each entry must consist of both a frequency in MHz and the cal factor in percent, separated by a comma (e.g. 500, 98.6). Each frequency entered must be higher than the previous entry. These cal factor values must be between 75 and 125 percent. If a mistake is made, you can back up one entry and re-enter a value by entering a negative frequency. If you accidentally enter only the frequency (instead of a frequency/cal factor pair), the computer will wait for the cal factor to be entered; however the only prompt will be a "?".

Each entry is shown on the CRT. When all entries are completed, enter "0,0" to exit the data entry portion of the program. At this point the program will re-display all values entered and ask if you want to store them.

Note Even if you find a mistake, it will be easier to answer yes, then go back and re-edit the values, otherwise you will have to re-enter all values again.

20 dB Attenuators (Pads). A procedure similar to the sensor data entry procedure previously described is used to enter the frequency/attenuation values for the 20 dB attenuators. Valid entries for the 20 dB attenuator range from 17.5 to 23.5 dB.

External 10 dB Step Attenuator. Step attenuator data is only measured at 30 MHz so only one value needs to be entered for each nominal attenuation step. All values are relative to the 0 dB setting, which is defined as zero (i.e. the program does not care about insertion loss at the 0 dB setting).

Valid entries are within 3 dB of the nominal attenuation setting. The program will request data up to 110 dB of attenuation.

Using the Program

Note Remember that the **RETURN/ENTER/EXECUTE** key can be used as softkey #1.

When the program is first run, the initial information screen is presented. This contains the program name, revision number, date and other miscellaneous information. You are presented with four softkey choices: **RESUME**, **SET TIME**, **HELP**, and **EXIT**.

SET TIME allows you to set the time and date. If the date has never been set, the program will force you to enter it regardless of whether or not this softkey is pressed.

HELP will present some very brief instructions and other information.

EXIT will terminate the program.

RESUME will continue execution of the program and proceed to the main menu.

Main Menu

The main menu provides seven softkey choices. An eighth choice may be displayed if you are returning to this menu from the test selection menu.

CONFIG allows you to define a particular configuration of test equipment, mass storage, and HP-IB addresses. This selection is described earlier in "Configuration File."

LOAD CONFIG allows you to select one of several configurations to choose from. If only one is available, it is automatically loaded without further confirmation. If several are available, you are instructed to select one.

CAL DATA ENTRY allows you to enter correction factors for sensors, attenuators and attenuators. See "Configuration File," earlier in this chapter.

PRINT RESULTS allows you to print or view test results from the current DUT or any previously tested analyzer, assuming the data was archived. You can also add comments or correct any header information that was previously entered.

NEW DUT will appear only after an analyzer has been tested. This softkey must be selected *before* you begin to test another analyzer.

Note This is the only way that the program can tell that the analyzer under test has changed. Once selected, this softkey selection will disappear, indicating that the program is ready to search for a new analyzer model/serial number.

HP-IB Addr's will display the current expected addresses of all required test equipment. In addition it will allow you to check each listed address for the presence of an active device. It will not indicate which device is set to which address. It only indicates whether or not the device at a given address is capable of handshaking properly. **EXIT** returns to the previous menu.

RESUME will continue the program and look for an analyzer at the specified address. Make sure the power is switched ON and the HP-IB cable is connected before pressing **RESUME**.

Once the program finds the analyzer, the serial number is interrogated and the disk is searched for any previous test results. If none are found, a message is displayed and you are then allowed to enter any pertinent data regarding this new DUT such as owner, technician, repair order, comments etc. The test selection menu is then presented.

Test Selection Menu

The test selection menu can be divided into four main categories:

- Eleven automated analyzer performance tests
- One automated adjustment procedure
- Four utility procedures
- Two detector performance tests (HP 86200B or HP 86201B)

Data for each of the eleven performance tests is archived upon completion. No archive data is stored for the one adjustment routine.

The four utility programs are described as follows:

1. **Set Serial Number** utility allows you to enter a serial number into the analyzer. This may be required after some types of repairs.

Caution *Enter the number carefully; it cannot be easily changed once it has been entered. If a mistake is made, it will be necessary to contact an HP service center for correction.*

2. The **Step Attenuator Test** is a cyclical stress test designed to show any weakness in the mechanical (and therefore, electrical) integrity of the built-in attenuator (HP 8730A or Option 1E1 units only). For each cycle, the attenuator card is switched in and out with each resulting trace measured. Minimum and maximum excursions are then noted. The test is performed at a low frequency and a high frequency. The number of cycles is selected by the user. A minimum of twenty-five is recommended. One hundred cycles will take about five to ten minutes depending upon computer speed. There is no pass/fail indication but trace variances of more than 0.1 dB should warrant further investigation or increased monitoring for signs of wear.
3. **Measure Step Attenuator** (external) is a utility file designed to use a power meter to measure the actual insertion loss at 30 MHz for this device. This routine should only be used as a last resort if no other method of obtaining data is available. Generally the device should be measured using one of the following methods:
 - Sending the device to a calibration standards lab
 - Measuring the device with an HP 8753D with full two-port correction
 - Measuring the device with an HP 8902A Option 050
4. **Measure 20 dB Pad** is identical to the **Measure Step Attenuator** utility.

Note The listed uncertainties shown on the test results assume that one of these three choices was used and *not* the built-in routine which has a much higher degree of uncertainty.

The detector performance tests consists of an absolute power accuracy test and a frequency response test as described in the *HP 86200B/86201B RF Detectors User's and Service Guide*. These tests are only for testing these two specific detector models. Archiving of data is not done for these tests.

Miscellaneous Information

The program gives full step by step instructions along with connection diagrams. For clarity, some of the required adapters may not be depicted in the connection diagrams. Generally, solid connection lines between devices indicate a cable connection, where as a dotted line indicates a direct connection (adapters may be required). All required equipment should be connected and switched ON before proceeding with any test, since the program will occasionally need to write to a device before it is shown in the connection diagram. If the device is not connected, the program will time-out before the connection diagram is drawn. The time-out limit is set to 30 seconds for all devices. If the program should stop for any reason, the computer may be reset and the program run again with little or no loss of data (if a SCRATCH C is *not* performed).

Individual Test Notes And Descriptions

The following sections explain how each test is performed, in case it is necessary to perform them manually without a computer. Before running or manually performing the performance tests, turn on the analyzer and allow it to warm up for one hour.

Note For the HP 8730A, it is necessary to precede each test with a service preset. This is done by pressing **SYSTEM OPTIONS**, **Service**, **Service Utilities**, **Next Menu**, **Next Menu**, **Inst State Utilities**, **Preset to 8711C**.

Frequency Accuracy

This test measures the frequency accuracy of the analyzer at several CW frequencies while in trigger-hold mode. The device used to measure the frequency can either be a frequency counter or a spectrum analyzer with a high degree of frequency accuracy.

Accuracy is measured to .005 percent or 5 kHz at 1000 MHz. The HP 8730A and Option 1EC analyzers (75 Ω) will require a minimum loss pad in order to connect to a 50 Ω frequency counter or spectrum analyzer.

If This Test Fails

Failures of this test are rare. If this test should fail by a small amount, readjust the reference crystal oscillator by performing the frequency accuracy adjustment. If it fails by a significant amount, and the A3 fractional-N/reference assembly's 10 MHz reference output is accurate, suspect excessive noise on the RF output of the source. See the section titled "Troubleshooting the A4 Source Assembly" in the "Troubleshooting and Block Diagrams" chapter.

Gain Compression

Gain compression is measured over the frequency range by inserting a calibrated 20 dB fixed attenuator and measuring the change with the analyzer. A 3 dB fixed attenuator and through-line cable is first connected to the ports and the power level set to 3 dBm for the HP 8713C/14C or +13 dBm (or max power) for the HP 8711C/12C/30A. The 3 dB attenuator is used to improve any mismatch errors. The resulting power is read by the analyzer. The calibrated 20 dB fixed attenuator is then inserted into the path and the resulting power is measured again. The difference is then compared to the known insertion loss of the calibrated 20 dB fixed attenuator.

The power levels tested for both high and low frequency units are based on known characteristics of the receiver. Gain compression for the HP 8713C/14C is tested in the 0 dBm to -20 dBm power range. Likewise, gain compression for the HP 8711C/12C/30A is tested in the +10 to -10 dBm power range. Compression is tested in a narrow (250 Hz) bandwidth.

If This Test Fails

Repeat adjustments #101 and #105. If this does not solve the problem, replace the A5 receiver assembly.

Noise Floor

The noise floor test is divided into two sections; broadband and narrowband. During this test the RF output is terminated in 50 Ω or 75 Ω and the RF input is shorted. For the broadband portion, the analyzer is set to measure B* with averaging ON and with a narrow bandwidth. Worst-case noise floor is then measured starting from 10 MHz. For narrowband mode, the noise floor is measured with the B input (not B/R) in a fine bandwidth (15 Hz) and spur avoid activated. This portion of the test is divided into two sections: frequencies below 5 MHz and frequencies above 5 MHz.

If This Test Fails

First verify that all cable connections and screws are secure, then repeat adjustment #102. If only the broadband portion fails, the A5 receiver diodes may be bad; see "Troubleshooting the A5 Receiver Assembly" in the "Troubleshooting and Block Diagrams" chapter for more information. Otherwise, the A5 receiver assembly is most likely bad, though spurs generated in either the A3 fractional-N/reference or A4 source assemblies can also cause noise floor failures.

Dynamic Accuracy

Dynamic accuracy is measured on the narrowband B detector at a CW frequency of 30 MHz, from 0 dBm (if possible) down to -100 dBm in 10 dB increments. A calibrated 10 dB step attenuator is used as the reference device. On 75 Ω analyzers, two minimum loss pads must be used to convert the impedance to 50 Ω for the HP 8496A/G attenuator. The analyzer is set to measure the B input in a fine (15 Hz) bandwidth. Power is first measured at -20 dBm and all measurements are made relative to this point (generally this means the attenuator is set to 20 dB). The attenuator is then switched in 10 dB increments and the resulting power is read from the analyzer. These values are then compared to the known values of the calibrated step attenuator. The difference is the dynamic accuracy error of the analyzer.

Mismatch errors are minimal since the input/output match at 30 MHz is very good. For some combinations of options on 75 Ω analyzers, the 0 dBm point may not be obtainable. In this case, only levels at and below -10 dBm are tested.

If This Test Fails

First repeat adjustment #102. If the problem persists, suspect calibration errors in the step attenuator used to perform this adjustment; see "The 40 dB step attenuator card selection (3)" in "Performance Test Software Installation" earlier in this chapter. Crosstalk can also affect this test; verify that all cables and screws are secure.

Power Flatness

Power flatness is defined as the maximum variation in power at the RF output connector across the frequency range of the analyzer. If the specification is ± 1 dB then a maximum variation of 2 dB is allowed. In this test a calibrated power sensor is connected directly to the RF output. The analyzer is stepped through twenty-seven CW frequencies at one power level and each is measured and corrected based on the power sensor cal factor. The maximum variation is then compared to the specification. Several power levels are tested, ranging from the maximum specified power to the minimum specified power without using the built in attenuator (if applicable). If the analyzer has an attenuator, three more levels are tested, each one using one section of the attenuator (10 dB, 20 dB, and 30 dB). The power meter is zeroed before making any series of measurements below -19 dBm.

A second test is performed as a precaution to ensure that no power holes exist. A through cable is connected and, starting at 10 MHz, the analyzer is swept over its frequency range using 1601 points-per-sweep. The B* input is also measured and the resulting trace is checked for any significant power holes that could have been missed during the previous section of this test. The sweep is repeated again using each section of the attenuator (if one is installed) to verify its power flatness.

If This Test Fails

Repeat the test, verifying that all connections are secure. If the test still fails, repeat adjustment #104.

Absolute Power Accuracy

This test verifies the accuracy of the B* input at 30 MHz from its maximum input of $+16$ dBm down to -50 dBm (-47 dBm for the HP 8730A and Option 1EC analyzers). A separate power source is required to achieve the required power (in this case an HP 8116A function generator). An external 10 dB step attenuator is used to vary output power over the full 66 dB range.

The output of the HP 8116A is sent to the step attenuator. A 6 dB attenuator is placed after the attenuator and a power sensor is then connected to the attenuator. The source and step attenuator are varied in 5 dB increments from $+16$ down to approximately -24 dBm and the resulting power is noted. For measurements below -24 dBm, the power out is calculated based on the step attenuator values. This avoids having to use a low-power diode sensor (although this would be acceptable, it is an inconvenience). Once the power levels have been measured (or calculated) using the power meter as a reference, the power sensor is disconnected and the output of the attenuator is connected to the RF input of the analyzer. The same power level conditions are then repeated and the resulting analyzer measurements are averaged and recorded.

These measurements are compared to the power meter readings and any deviations are compared to the specification. A narrow bandwidth is used for all analyzer measurements. For 75 Ω analyzers, the 6 dB attenuator is replaced with a minimum loss pad.

If This Test Fails

First verify that the correct 40 dB section of the attenuator is being used (if applicable). See "The step attenuator's 40 dB card selection (3)" in "Performance Test Software Installation" earlier in this chapter.

If this is okay, repeat adjustment #110. If the test still fails, the cause is most likely damaged A5 receiver diodes. See "Troubleshooting the A5 Receiver Assembly" in the "Troubleshooting and Block Diagrams" chapter for more information.

Broadband Frequency Response

This test checks the broadband frequency response of the B* input at a nominal -6 dBm input to the analyzer. The RF output of the analyzer is sent to the input of a power splitter. One output of the splitter is sent to the RF input of the analyzer while a power sensor is connected to the other output. The analyzer is stepped through a cycle of CW frequencies while the analyzer's source power and the corrected power meter reading are noted. Once this has been done, the two connections to the outputs of the power splitter are swapped, and the process is repeated. This eliminates any differences within the power splitter. The two readings for each frequency point are averaged and the averaged analyzer data is compared to the averaged power meter data. Both sets of data are subtracted from a 30 MHz reference point. Variations in response are then relative to this point. For 75Ω analyzers the power splitter and sensor must also have a 75Ω input impedance. Adapters are generally required for this test. If necessary, three-way power splitters can be substituted for two-way power splitters, as long as the unused port is terminated in its characteristic impedance. Power dividers or splitters can be used interchangeably with minimal measurement degradation.

If This Test Fails

Repeat the test after verifying that all connections are secure. There is no corresponding adjustment for this test. Verify that the A5 receiver assembly's detector diodes are functioning properly. See "Troubleshooting the A5 Receiver Assembly" in the "Troubleshooting and Block Diagrams" chapter for more information.

Directivity (includes source match, test port match, and reflection tracking)

These tests require an HP 85032B calibration kit (standard or Option 001) for a 50Ω analyzer or an HP 85036B calibration kit for a 75Ω analyzer.

Note The standard economy (E) versions of these kits do *not* provide the necessary components to perform this procedure.

Directivity is measured by presetting the analyzer, then attaching a known-good load to the RF output and performing a reflection measurement. This measures the default reflection calibration of the analyzer. This value is characteristically 30 dB. A user calibration will provide 40 dB of directivity, but for this test, we are testing only the quality of the default calibration. The typical specification is 30 dB. The program prompts you through all portions of the test and displays the results on the screen of the analyzer.

Source match is measured at the same time as directivity. This test can be performed manually with the following steps:

1. To disable correction, press **SYSTEM OPTIONS** **Service** **Service Utilities** **Meas Cal Options** **Meas Cal on OFF**.
2. Perform a one-port reflection calibration.
3. To view the source match array, press **View Array Master** **Source Match**.

(Raw directivity can also be viewed by selecting **Directivity**. Do not confuse this with the default directivity above; raw directivity will be much lower.)

Input port match is measured by performing a one-port calibration at the end of a type-N cable using the female standards contained in the cal kit. For this reason, the economy version of the cal kits cannot be used since they do not contain female standards. Once the user calibration is completed, the cable is attached to the RF input port and the input match is measured. Please note that when the female open is called for during this user calibration, the extender pin must be placed over the center conductor of the cable.

Reflection tracking is determined from the frequency response of a corrected reflection measurement. After a one-port reflection calibration has been performed, a reflection measurement of a male short is made.

If This Test Fails

Directivity is mostly dependent upon:

- the quality of adjustment #107
- the quality of reference load used in the adjustment
- the quality the load used in the test

If directivity fails, repeat adjustment #107 with a known good load (better than 40 dB of return loss). Source match is mostly dependent upon hardware in the A5 receiver assembly. Any failures will probably require the replacement of the A5 receiver assembly.

Test port match is solely dependent upon the A5 receiver assembly. If either of these two tests fail, first inspect the two type-N connectors for damage, especially on 75Ω units. If the test port match fails, also suspect the A5 receiver assembly diodes.

It is very unlikely that reflection tracking will fail. However, if reflection tracking does fail, repeat adjustment #107 with a known good load (better than 40 dB of return loss).

Spurs (including harmonics)

Harmonics and spurs are tested by connecting the analyzer to a spectrum analyzer via a high quality type-N cable. For 75Ω analyzers, a minimum loss pad is used to change the impedance to 50Ω. The loss through the cable is compensated for automatically. Harmonics are tested at +7 dBm minus the sum of:

- 4 dB for the HP 8730A
- 3 dB for HP 8711C/12C13C/14C Option 1EC (75 Ω)
- 1 dB for HP 8711C/12C13C/14C Option 1E1 (step attenuator)
- 2 dB for HP 8711C/12C Option 1DA/1DB (AM delay)
- 4 dB for HP 8713C/14C Option 1DA/1DB (AM delay)

In-band harmonics are tested at several frequencies. The second harmonic of 700 MHz need not be tested on an HP 8711C/12C/30A because its upper frequency is 1300 MHz. Out-of-band harmonics are not tested.

Fractional-N spurs are also tested with this program, as well as some other types of spurs but generally none of these cause problems. These type of spurs have typical (characteristic) specifications only.

This automated test requires that the spectrum analyzer's and the network/tuner analyzer's timebases be tied together, so that any known spur will be at the exact frequency expected. Connect a BNC cable between the spectrum analyzer's EXT REF OUT to the network/tuner analyzer's EXT REF IN. This saves significant time since the program does not have to search for every signal. The program will first check that the timebases are connected together before proceeding. If this test is performed manually, locking the two analyzers together is not necessary.

If This Test Fails

Note that while many types of spurs are tested, only harmonics are specified. If harmonics should fail, repeat the fractional-N adjustment as well as adjustment #104. The most likely cause of a failure is the A4 source assembly.

AM Delay Modulator (Option 1DA/1DB analyzers only)

AM delay itself is not tested in the analyzer since it is a function of the external detector used. However the AM delay modulator is tested for functionality. When the modulator is on, any CW signal is AM modulated with a 27.78 kHz sinewave. This modulation produces sidebands on either side of the CW signal when viewed on a spectrum analyzer. This test simply looks for the sidebands to be between 22.5 and 33 dB below the CW signal level. The test is performed at several CW frequencies. For 75 Ω analyzers, a minimum loss pad for proper impedance matching is needed. As discussed previously, the spectrum analyzer and network/tuner analyzer timebases should be connected together to avoid any frequency error.

If This Test Fails

The AM delay adjustment does *not* significantly affect this test. If this should fail, first check that the ribbon cable is securely attached to the AM delay modulator assembly. Otherwise, replace the AM delay modulator assembly.

Trace Noise

Trace noise is measured in transmission mode using the medium bandwidth at 0 dBm output power. This test sets up a full band sweep with averaging turned on (16 averages). It then normalizes to this trace to eliminate frequency response errors. Averaging is then turned off and one sweep is taken. The maximum and minimum trace values are then recorded. This test is repeated again using the narrow bandwidth. The specification only applies at 0 dBm.

If This Test Fails

Almost anything within the entire analyzer system can contribute to excessive trace noise. The most likely assemblies to fail are the A5, A4, and A3, in that order. If trace noise can be isolated to only one input (A, B, or R), then the problem is most likely in the A5 receiver assembly. Otherwise, suspect A4 or A3.

Adjustments

This chapter contains procedures to adjust the analyzer. Before performing adjustments, turn on the analyzer and allow it to warm up for one hour.

You need an external controller for running three of the adjustments. The remaining adjustments are accessed through the analyzer's service menus.

Refer to "Post-Repair Procedures" in the "Assembly Replacement" chapter to determine which adjustment procedures you need to do when a particular part has been replaced.

You should perform the adjustment procedures in the order given here:

1. Fractional-N VCO Adjustment
2. Fractional-N Spur Adjustment (Requires controller)
3. Frequency Accuracy Adjustment
4. Serial Number, Adjustment #100 (Generally not required. Requires controller or IBASIC Option 1C2)
5. LO Power Correction, Adjustment #101
6. Switched Gain Correction, Adjustment #102
7. External Detector Correction, Adjustment #103
8. Aux Input Correction, Adjustment #111
9. Source Power (ALC) Correction, Adjustment #104
10. B Amplitude Correction, Adjustment #105
11. Transmission Correction, Adjustment #106
12. B* Amplitude Correction, Adjustment #110
13. AM Delay Correction, Adjustment #112
14. Reflection Correction, Adjustment #107
15. R* Amplitude Correction, Adjustment #108
16. R* Frequency Response Correction, Adjustment #109

Items 1 through 3 above are adjustments where a physical part is changed (e.g. a potentiometer is adjusted); no correction constants are generated from these adjustments. Item 4 above (adjustment #100) does not generate a correction constant, although the data is entered into permanent memory on the A2 bootROM.

Caution Procedures 5 through 16 all generate correction constants. For proper operation, these correction constants must be handled properly. Please read the next few paragraphs carefully.

Caution The preset power level is user-definable. When pressing **PRESET** in any adjustment procedure, change the power level to 0 dBm if necessary.

Caution **If you have an HP 8730A, please read the following information carefully.** Adjustment procedures require the HP 8730A tuner analyzer to have the same preset state as a standard network analyzer.

Instead of using the **PRESET** key, press the following keys to change the preset state of the HP 8730A tuner analyzer to the preset state of a standard network analyzer.

SYSTEM OPTIONS **Service**

Service Utilities **Next Menu** **Next Menu**

Inst State Utilities **Preset to 8711C**

To return your tuner analyzer to its original preset state, press **PRESET**

Correction Constants (CCs) Adjustments

When you switch ON the analyzer's line power, the analyzer copies the current correction constants from the CPU EPROM into a RAM buffer. When you run the adjustment tests, the analyzer generates correction constants and saves them to the RAM buffer only (they are erased if the analyzer's line power is switched OFF).

To transfer the newly generated correction constants from the RAM to the EPROM, press **(SYSTEM OPTIONS) Service Update Corr Const Store CC to EPROM**.

To make a back-up copy of the correction constants to disk, perform the following steps:

1. Insert a formatted disk into the internal disk drive.
2. Press **(SYSTEM OPTIONS) Service Update Corr Const Store CC to Disk**. This creates a file (or writes over an existing file) where the correction constants are stored. This file allows you to quickly restore the adjustment data if you replace the CPU board.

When you are performing the adjustment procedures, you should periodically store the correction constants to a disk file. This allows you to restore data quickly in case you need to switch OFF the analyzer's line power before completing the adjustments.

Caution

If the analyzer's line power is switched OFF at any time during the adjustments, you *must* reload the previously stored correction constants (if they have been saved to disk) before proceeding. Failure to do so will result in the loss of previously performed adjustment data at the time of the next correction constant data save. The adjustments will have to be performed again.

If the correction constants were never saved to disk, the adjustments will have to be performed again as well.

Fractional-N VCO Adjustment

Note The fractional-N VCO adjustment is not normally required. If this board has been replaced, the replacement board will have been adjusted at the factory. This adjustment should only be performed if you have reason to believe that the fractional-N VCO assembly is not functioning properly.

This procedure shows you how to adjust the frequency of the fractional-N VCO on the A3 fractional-N/reference assembly.

Caution Place the analyzer on an anti-static mat and wear a connecting wrist strap when making this adjustment.

Required Equipment

Equipment Description	Recommended Model or Part Number
Service extender board	part of service kit, 08712-60012
Digital voltmeter	any

Warm-up Time

Allow the analyzer to warm-up for one hour.

Estimated Adjustment Time

This adjustment takes approximately five minutes to perform.

Procedure

1. Switch OFF the analyzer's line power. Remove the front panel by following these steps and referring to Figure 2-1:
 - a. Remove the trim strip from the handles by gently prying it off with a small flathead screwdriver.
 - b. Remove the four #15 TORX® screws attaching each handle to the analyzer.
 - c. Pull the analyzer toward you until the chassis extends about two inches over the edge of the table top.
 - d. Grasp and pull the front panel with two hands: one on the top-middle of the panel, and the other on the bottom-middle of the panel. Once the front panel has been removed, disconnect the front-panel ribbon cable.
 - e. Remove the two #10 TORX screws attaching the handle nut plate on the right side.

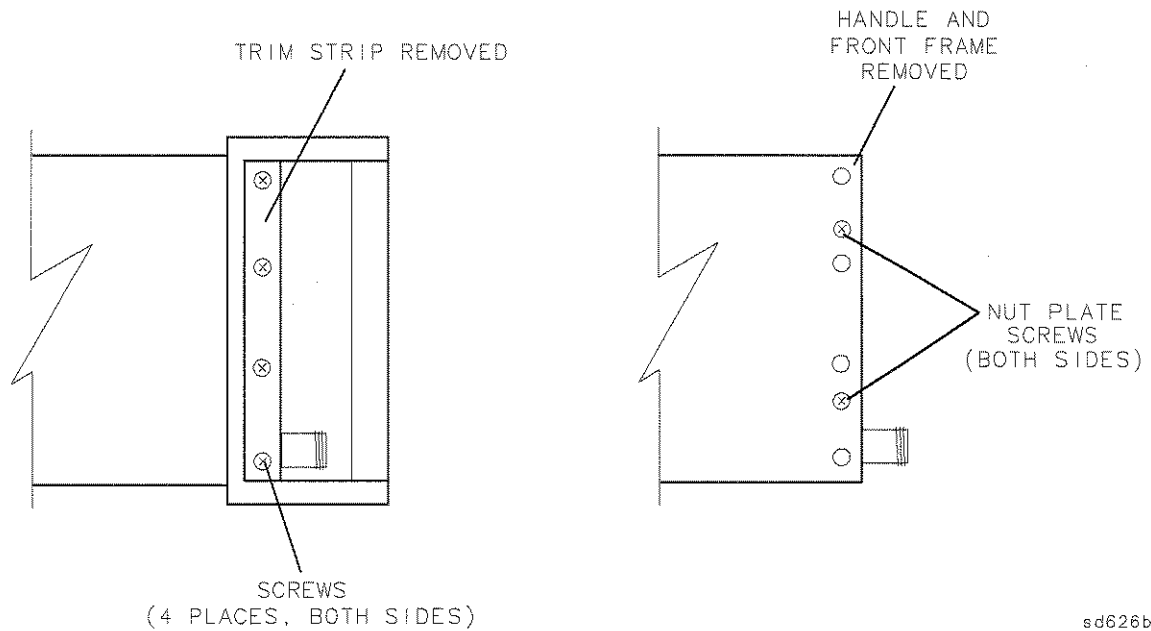


Figure 2-1. Removing the Handles and Front Panel

2. To setup the service extender board for adjusting the fractional-N board assembly, follow these steps (see also Figure 4-2):
 - a. Remove the backplane cover from the rear panel of the analyzer by unscrewing the two hold-down screws and sliding the cover toward the power-cord receptacle.
 - b. Attach the service extender board by reversing step (a) with the lower extender board assembly. Tighten the two hold-down screws securely.
 - c. Place an antistatic mat on top of the analyzer.
 - d. Remove the two SMB cables from the fractional-N/reference assembly. Remove the nut on the rear panel EXT REF BNC connector.
 - e. Use the handle tab to loosen the assembly, then pull the board assembly out of the analyzer. Attach the fractional-N/reference assembly backplane connector to the upper extender board.
 - f. Reconnect the SMB cables. If necessary, use the longer SMB cables provided in the service kit.

3. Switch ON the analyzer's line power.

If your analyzer is an HP 8711C/12C:

set the analyzer's source frequency to 1.3 GHz by pressing **PRESET** **FREQ** **CW** **1.3** **GHz**.

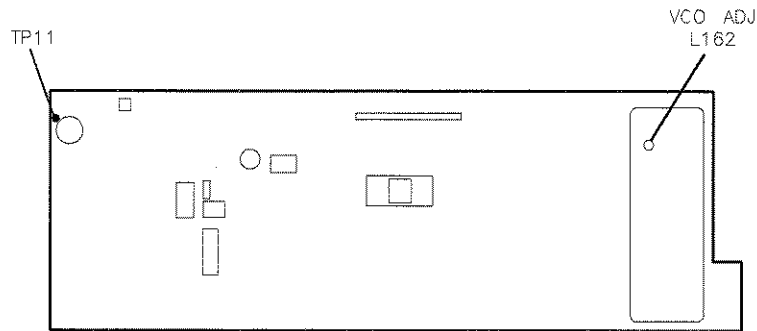
If your analyzer is an HP 8730A:

set the analyzer's source frequency to 1.3 GHz by pressing **PRESET** (see the cautions on page 2-2) **MEAS1** **Transmissn** **FREQ** **CW** **1.3** **GHz**.

If your analyzer is an HP 8713C/14C:

set the analyzer's source frequency to 1.82 GHz by pressing **PRESET** **FREQ** **CW** **1.82** **GHz**.

4. Measure the voltage at TP11 with respect to ground on the fractional-N board assembly. See Figure 2-2 for the location.



sd65b

Figure 2-2. TP11 and L162 for Fractional-N VCO Adjustment

5. Use a nonconductive adjustment tool, such as a small ceramic or plastic flatblade screwdriver, to adjust L162 (see Figure 2-2) until TP11 reads -1.17 ± 0.03 volts with respect to board ground.

Remove the adjustment tool and measure the voltage again to insure that it has not changed.

6. If you are going to make the fractional-N spur adjustment, continue to that procedure without changing the equipment setup. If you are *not* going to make the fractional-N spur adjustment, reassemble the analyzer.

Fractional-N Spur Adjustment

Note The fractional-N spur adjustment is not normally required. If this board has been replaced, the replacement board will have been adjusted at the factory. This adjustment should only be performed if you have reason to believe that the fractional-N VCO assembly is generating spurious responses.

This adjustment minimizes the spurs caused by the analog phase interpolators (APIs) on the fractional-N board assembly. An external controller sets the source output frequencies on the analyzer and sets up the spectrum analyzer to measure the spur. Afterwards, you can adjust potentiometers to minimize the spur.

Required Equipment

Equipment Description	Recommended Model or Part Number	
	50 Ω	75 Ω
HP BASIC controller w/BASIC 5.0 or higher	HP 9000 series 200/300/700	HP 9000 series 200/300/700
Test software	08712-10017	08712-10017
Spectrum analyzer	HP 8560 Series or HP 8566B	HP 8560 Series or HP 8566B
Type-N cable	any 50 Ω	any 75 Ω
Minimum loss pad	N/A	HP 11852B
Service extender board	p/o service kit, 08712-60012	p/o service kit, 08712-60012

Note Before performing this adjustment:
Check the voltage at A3TP11 as described in the previous adjustment ("Fractional-N VCO Adjustment") and adjust as required.

Warm-up Time

Allow the analyzer to warm-up for one hour.

Estimated Adjustment Time

This adjustment takes approximately fifteen minutes to perform.

Procedure

1. If you already have the fractional-N board assembly out of the analyzer and attached to the service board extender, continue with step 4. If not, continue with the next step.

2. Switch OFF the analyzer's line power. Remove the front panel by following these steps and referring to Figure 2-3:
 - a. Remove the trim strip from the handles.
 - b. Remove the four #15 TORX screws attaching each handle to the analyzer.
 - c. Pull the analyzer toward you until the chassis extends about two inches over the table-top.
 - d. Grasp and pull the front panel with two hands: one on the top-middle of the panel, and the other on the bottom-middle of the panel. Once the front panel has been removed, disconnect the front-panel ribbon cable.
 - e. Remove the two #10 TORX screws attaching the handle nut plate on the right side.

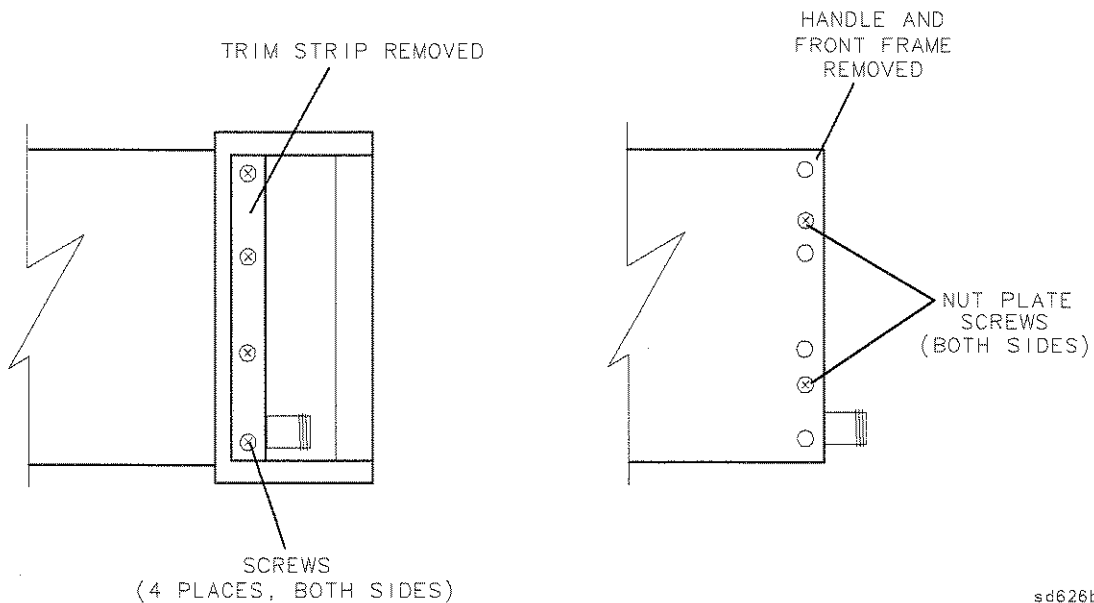
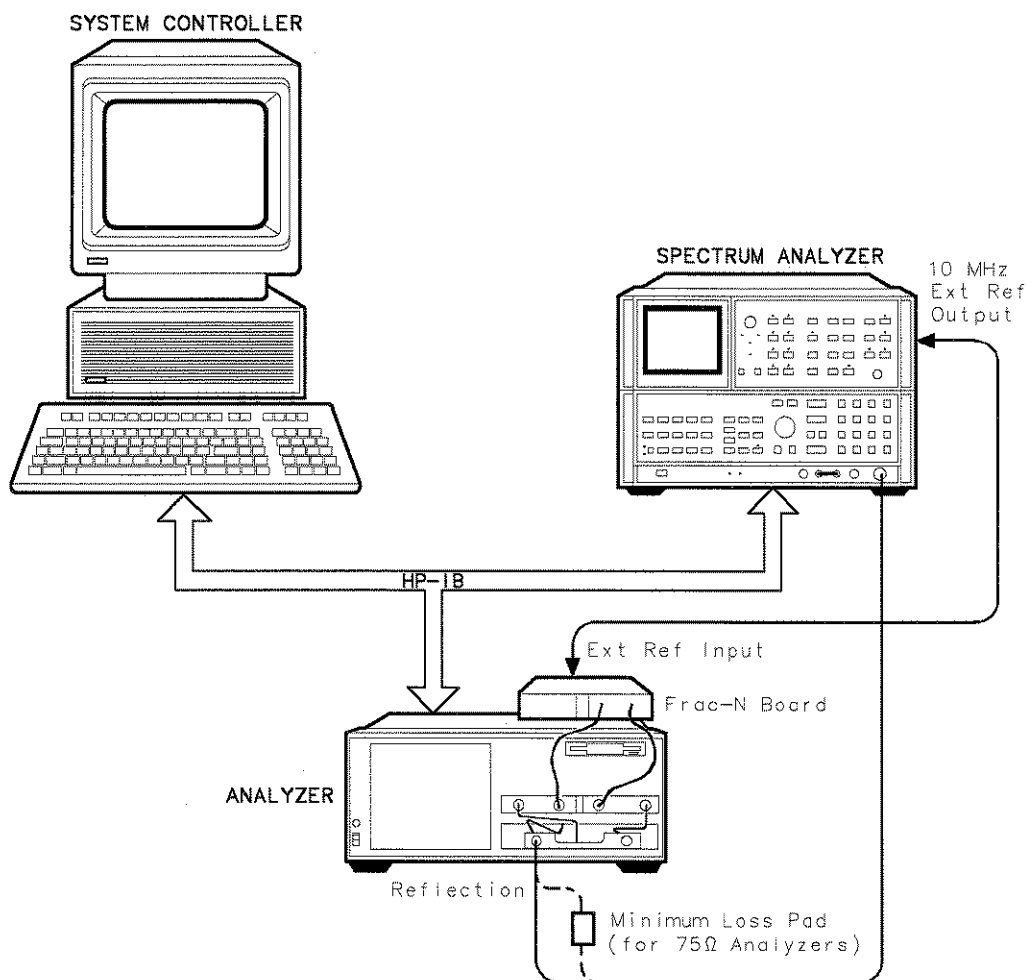


Figure 2-3. Removing the Handles and Front Panel

3. To setup the service extender board for adjusting the fractional-N board, follow these steps:
 - a. Remove the backplane cover from the rear panel of the analyzer by unscrewing the two hold-down screws and sliding the cover toward the power-cord receptacle.
 - b. Attach the service extender board by reversing step (a) with the lower extender board. Tighten the screws securely.
 - c. Place an antistatic mat on top of the analyzer.
 - d. Remove the two SMB cables from the fractional-N/reference assembly. Remove the nut on the rear panel EXT REF BNC connector.
 - e. Use the handle tab to loosen the assembly, then pull the board assembly completely out of the analyzer. Attach the fractional-N/reference assembly backplane connector to the upper extender board.
 - f. Reconnect the SMB cables. If necessary, use the longer SMB cables provided in the service kit.

4. Connect the equipment as shown in Figure 2-4.



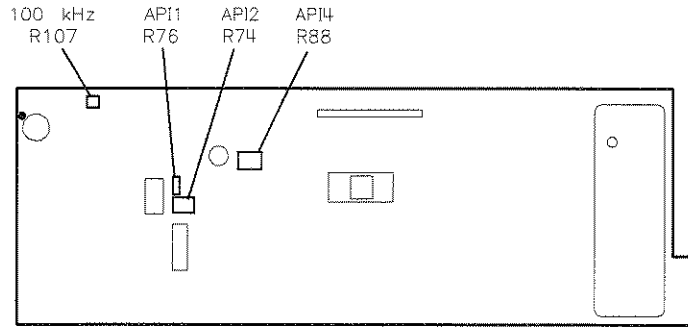
sd617c

Figure 2-4. Setup for Fractional-N Spur Adjustments

5. Load and run the test software by following the procedure in “Loading and Running the Test Software” in the “Performance Tests” chapter of this guide.
6. Select “Fractional-N Adjustments” from the performance tests main menu.
7. For each API adjustment, the program shows spurs three times, once for each fractional-N VCO frequency. To minimize the spur, adjust the potentiometers shown in Figure 2-5.

You may have to compromise the three different adjustments of the same pot to achieve the best overall results.

Generally, the API #1 spur is the worst. When adjusting the API #2 and API #4 spurs, their amplitude may be so low that they are not visible.



sd66b

Figure 2-5. API and 100 kHz Adjustments

8. After the API adjustment, the program prompts you to adjust for the 100 kHz spur at a single frequency. The controller displays a message, telling you when the adjustment has completed.
9. Insert the fractional-N board assembly back into the analyzer (do *not* reassemble the analyzer completely yet). Run the spurious signal portion of the performance test to verify that the API (fractional-N spurs) still pass once the assembly has been re-installed.

Note The spur performance of the fractional-N board may change *significantly* when you reinstall the assembly in the analyzer. If the performance deteriorates significantly, you may wish to repeat the adjustment.

10. If you do not need to repeat the API and 100 kHz spurs adjustment, remove the extender board and reassemble the analyzer.

Frequency Accuracy Adjustment

In this procedure the frequency accuracy of the analyzer's source is set by adjusting the 10 MHz internal reference clock.

Required Equipment

Equipment Description	Recommended Model or Part Number	
	50 Ω	75 Ω
Frequency counter	HP 5342A	HP 5342A
BNC cable	8120-1839	8120-1839
Minimum loss pad	N/A	HP 11852B
Adapter, type-N(m) to BNC(f)	1250-0780	1250-0780

Warm-up Time

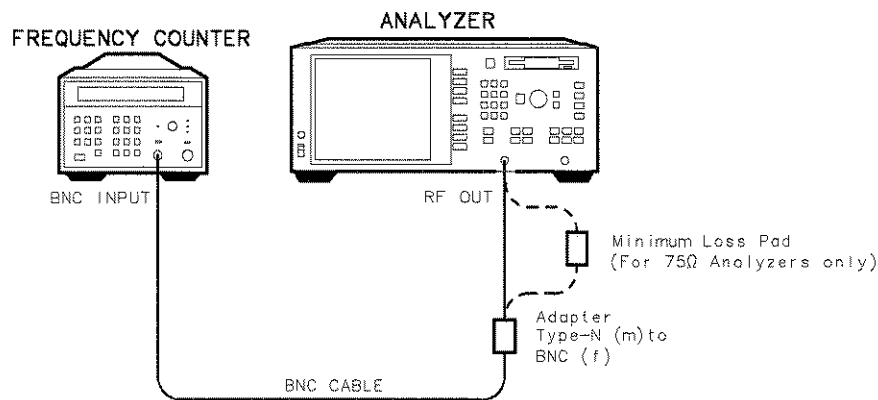
Allow the analyzer to warm-up for one hour.

Estimated Adjustment Time

This adjustment takes approximately five minutes to perform.

Procedure

1. Connect the equipment as shown in Figure 2-6.

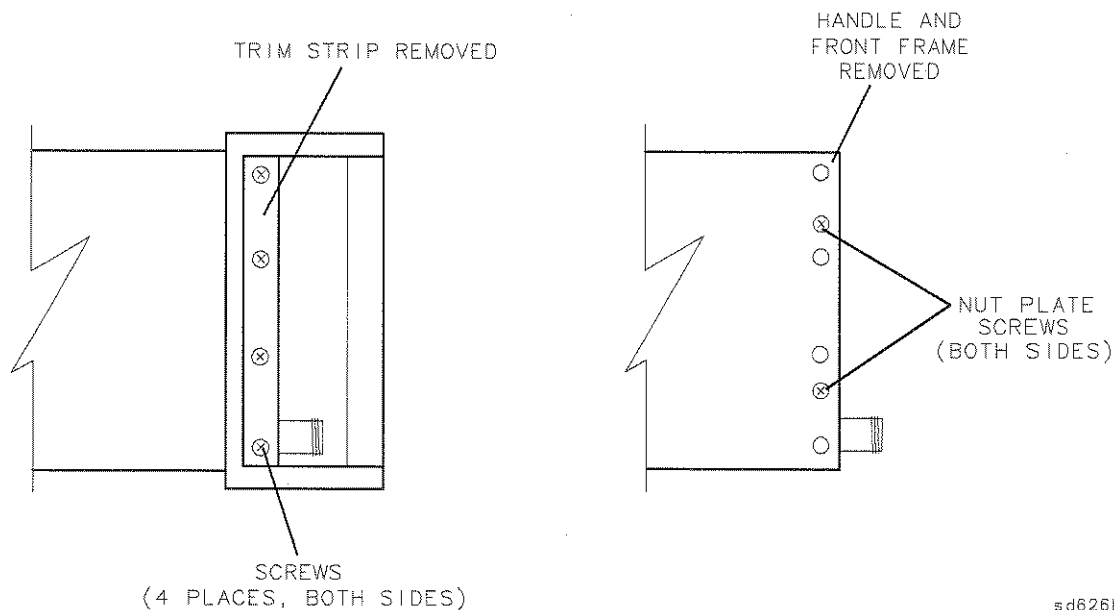


sd615c

Figure 2-6. Setup for Frequency Accuracy Adjustment

2. Set the frequency counter input switches to the "10 Hz - 500 MHz" and 50 Ω positions.
3. On the analyzer, press **PRESET** (see the cautions on page 2-2) **FREQ** **CW** **500** **MHz** **MENU** (in the SOURCE keypad section) **Trigger Hold**. If the frequency counter reading is 500 MHz \pm 2500 Hz, you do not need to make this adjustment. However, you can still make this adjustment to improve the frequency accuracy.

4. To proceed with the adjustment, disconnect the frequency counter and adapter(s) from the RF OUTPUT connector.
5. Remove the handles and front panel by following these steps and referring to Figure 2-7.
 - a. Remove the trim strip from the handles.
 - b. Remove the screws attaching each handle to the analyzer.
 - c. Pull the analyzer toward you until it extends about two inches over the edge of the table top.
 - d. Grasp and pull the front panel with two hands: one on the top-middle of the panel, and the other on the bottom-middle of the panel.



s d626b

Figure 2-7. Removing the Handles and Front Panel

6. Reconnect the frequency counter and adapter(s) to the RF OUTPUT connector.
7. To obtain a counter reading of $500 \text{ MHz} \pm 2500 \text{ Hz}$ or better, adjust R1 on the A3 fractional-N/reference assembly (accessible through a hole in shield between J1 and J3).
8. Reassemble the analyzer.

Set Serial Number, Adjustment #100

This procedure shows you how to store the analyzer's serial number in the CPU bootROM. While this is not normally required, you may have to perform this procedure under certain circumstances when you replace the CPU board.

You can only perform this procedure over HP-IB, so an HP BASIC controller (either external or IBASIC) is required. The performance test software can also be used to store the analyzer's serial number.

Note Where XXXXXXXXXXXX appears throughout this procedure, replace those characters with the serial number of your analyzer but maintain the leading and following apostrophes (both are ASCII character 39). For example, if the serial number of your analyzer is US34405555, the HP BASIC line of code would be:

```
OUTPUT 716;"DIAG:SNUM 'US34405555'"
```

IMPORTANT: Make sure there is a space between SNUM and the first apostrophe.

Required Equipment

A computer with HP-IB capabilities is required. If IBASIC (Option 1C2) is installed, an IBM PC-AT style keyboard is the only requirement.

Estimated Adjustment Time

This adjustment takes approximately two minutes to perform.

Procedure

1. Write down the 10-character serial number, exactly as shown on the analyzer rear-panel label.
2. Use one of the following BASIC commands to set the serial number: (Replace the XXXXXXXXXXXX in the command with your analyzer's serial number.)

- a. If you are using HP BASIC from an external controller, enter:

```
OUTPUT 716;"DIAG:SNUM 'XXXXXXXXXX'"
```

then press **ENTER**.

On the analyzer, press **Return to Local**.

This assumes that the analyzer is at address 16 and the HP-IB is at 7. If not, either use the analyzer's actual address, or change the analyzer's address to 16.

- b. If you are using IBASIC:

With an external keyboard connected, press **ESC** to view the IBASIC command line. Then type the following:

```
OUTPUT 800;"DIAG:SNUM 'XXXXXXXXXX'"
```

and press **ENTER**.

- c. Press **SYSTEM OPTIONS** **Service Instrument Info** to verify that you correctly installed the serial number. The serial number is displayed in the dialogue box.

In Case of Difficulty

If the analyzer displays an error message that tells you the serial number has the wrong format, check the rear-panel serial number tag again and verify that you have the correct serial number.

If the analyzer displays an error message that tells you "Serial number already set," that means a serial number is already installed on that CPU board and therefore cannot be changed. For further instructions, contact your nearest HP sales or service office.

LO Power Correction, Adjustment #101

Note This adjustment is only required for the HP 8711C/12C/30A. It is *not* required for the HP 8713C/14C.

This procedure adjusts the DAC that controls the LO power level for optimal mixer performance.

Required Equipment

Equipment Description	Recommended Model or Part Number	
	50 Ω	75 Ω
Type-N cable	any 50 Ω	any 75 Ω

Warm-up Time

Allow the analyzer to warm-up for one hour.

Estimated Adjustment Time

This adjustment takes approximately one minute to perform.

Procedure

1. Connect a cable from the RF OUT port to the RF IN port.
2. Press **PRESET** **SYSTEM OPTIONS** **Service** **Test and Adjustments** **Select Adjustment** **101** **ENTER** **Execute Test**.

This is a fully automated adjustment handled by the internal firmware. Follow the instructions displayed on the analyzer's CRT.

3. If you are *not* going to make any more adjustments, press **SYSTEM OPTIONS** **Service** **Update Corr Const** **Store CC to EPROM**.

If you *are* going to make more adjustments, save the correction constant data that you have generated so far.

- a. Insert a formatted disk into the internal disk drive.
- b. Press **SYSTEM OPTIONS** **Service** **Update Corr Const** **Store CC to Disk**. This creates a file (or writes over an existing file) where the correction constants are stored.

Switched Gain Correction, Adjustment #102

In this procedure, the analyzer sets the gain for each analyzer input. The analyzer can apply different gains to the R, A, and B input signals to make sure that the signal is in the correct range for proper ADC (analog to digital converter) operation.

Required Equipment

Equipment Description	Recommended Model or Part Number	
	50 Ω	75 Ω
Type-N cable	any 50 Ω	any 75 Ω
20 dB attenuator ¹	HP 8491A Opt 020	0955-0768
Voltage reference source ¹ (p/o service kit)	08712-60031	08712-60031

¹ These items may not be required; see text below.

The required equipment for this adjustment varies depending upon whether or not the analyzer has an attenuator installed (HP 8730A or Option 1E1 instruments). If the analyzer has an internal attenuator, then only a type-N cable is needed to complete the adjustment. If an attenuator is not installed, then a 20 dB attenuator of the proper impedance will also be required, as well as the voltage reference source (contained in the service kit).

If a 75 Ω 20 dB attenuator is not readily available for Option 1EC analyzers, you can substitute two back-to-back minimum loss pads with a 6 dB 50 Ω attenuator inserted in between (several adapters may also be required). A 10 dB 50 Ω attenuator may also be used instead of the 6 dB attenuator.

If the voltage reference source is not available, any stable dual ± 24 mV voltage source will work. This source voltage is not critical; any value between 20mV and 30mV should suffice. See adjustment #103, next, for connection information, which is identical to this adjustment.

Warm-up Time

Allow the analyzer to warm-up for one hour.

Estimated Adjustment Time

This adjustment takes approximately two minutes to perform.

Procedure

1. Press **PRESET** **SYSTEM OPTIONS** **Service** **Test and Adjustments** **Select Adjustment** **102** **ENTER** **Execute Test**.
2. This is a fully automated adjustment handled by the internal firmware. Follow the instructions on the analyzer's display. If you are using the voltage reference source, note that no connection is needed other than the 12 pin connection cable.

The analyzer presets after the test is done.

3. If you are *not* going to make any more adjustments, press **SYSTEM OPTIONS** **Service** **Update Corr Const** **Store CC to EPROM**.

If you *are* going to make more adjustments, save the correction constant data that you have generated so far.

- a. Insert a formatted disk into the internal disk drive.
- b. Press **SYSTEM OPTIONS** **Service** **Update Corr Const** **Store CC to Disk**. This creates a file (or writes over an existing file) where the correction constants are stored.

External Detector Correction, Adjustment #103

This procedure shows you how to generate correction constants for the receiver to make external detector or internal broadband measurements. Perform this test whether or not you plan to use external detectors.

In this test, an accurate ± 0.5 V is provided to both the X and Y detector inputs.

Required Equipment

Equipment Description	Recommended Model or Part Number
Voltage reference source ¹ (part of service kit)	08712-60031

¹ See Note below.

Note If a voltage reference source is not available, connect the requested voltages to the external detector connector as shown in Figure 2-8. Note that both a positive and negative voltage are required simultaneously, and both must be referenced to ground.

pin D = V+

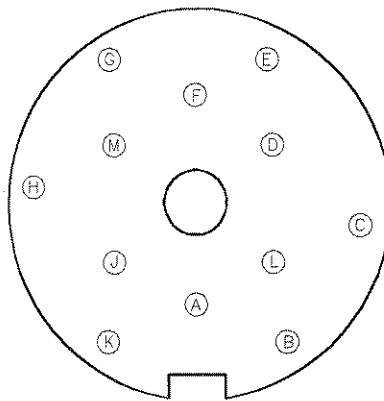
pin C = V-

pin K = GND

These voltages may be obtained from a dual power supply, however it is possible to derive the required voltages from the external detector connector itself.

pin B = -15V with respect to GND (pin K)

pin A = +15 with respect to GND (pin K)



sd623b

Figure 2-8. External Detector Connector, Front View

Warm-up Time

Allow the analyzer to warm-up for one hour.

Estimated Adjustment Time

This adjustment takes approximately two minutes to perform.

Procedure

1. Press **PRESET** **SYSTEM OPTIONS** **Service** **Test and Adjustments** **Select Adjustment**
103 **ENTER** **Execute Test**.

2. This is a fully automated adjustment handled by the internal firmware. Follow the instructions on the analyzer's display. If you are using the voltage reference source, note that no connection is needed other than the 12 pin connection cable.

If the analyzer fails the adjustment test, resulting in a warning message, check the connections, voltages, and switch positions, then rerun the test.

3. If you are *not* going to make any more adjustments, press **SYSTEM OPTIONS** **Service**
Update Corr Const **Store CC to EPROM**.

If you *are* going to make more adjustments, save the correction constant data that you have generated so far.

a. Insert a formatted disk into the internal disk drive.

- b. Press **SYSTEM OPTIONS** **Service** **Update Corr Const** **Store CC to Disk**. This creates a file (or writes over an existing file) where the correction constants are stored.

Auxiliary Input Correction, Adjustment #111

This procedure shows you how to generate correction constants for the auxiliary input. The procedure measures two voltages (0 and +10.000 volts) applied to the auxiliary input to compute the offset and gain of the auxiliary input circuitry.

Required Equipment

Equipment Description	Recommended Model or Part Number
Voltage reference source (part of service kit)	08712-60031 or any +10.000 V voltage source.
50Ω BNC cable	any

Note The voltage reference source provides +10 V at its BNC connector. This connector must be connected to the AUX input on the rear panel of the analyzer.

Warm-up Time

Allow the analyzer to warm-up for one hour.

Estimated Adjustment Time

This adjustment takes approximately one minute to perform.

Procedure

1. Press **PRESET** **SYSTEM OPTIONS** **Service** **Test and Adjustments** **Select Adjustment** **111** **ENTER** **Execute Test**.

2. This is a fully automated adjustment handled by the internal firmware. Follow the instructions on the analyzer's display.

3. If you are *not* going to make any more adjustments, press **SYSTEM OPTIONS** **Service** **Update Corr Const** **Store CC to EPROM**.

If you *are* going to make more adjustments, save the correction constant data that you have generated so far.

a. Insert a formatted disk into the internal disk drive.

b. Press **SYSTEM OPTIONS** **Service** **Update Corr Const** **Store CC to Disk**. This creates a file (or writes over an existing file) where the correction constants are stored.

Source Power (ALC) Correction, Adjustment #104

In this procedure, the analyzer creates a table of values that corrects the source output power over different frequencies and power levels. The analyzer reads values from a power meter to determine the actual source output level. An HP 437B or HP 438A power meter is required for this test. Other power meters will not be controlled correctly by the analyzer.

Note If your analyzer has a step attenuator installed (HP 8730A or Option 1E1 analyzers), you need an HP 8481D power sensor to perform this adjustment procedure.

Required Equipment

Equipment Description	Recommended Model or Part Number	
	50 Ω	75 Ω
Power meter	HP 437B/438A	HP 437B/438A
Power sensor	HP 8482A	HP 8482A
High sensitivity power sensor (for HP 8730A or Opt. 1E1 analyzers only)	HP 8481D	HP 8481D
10 dB attenuator*	HP 8491A Opt. 010	N/A
Minimum loss pad	N/A	HP 11852B
HP-IB cable	HP 10833A	HP 10833A

*The HP 8713C and HP 8714C may not require an attenuator for this adjustment.

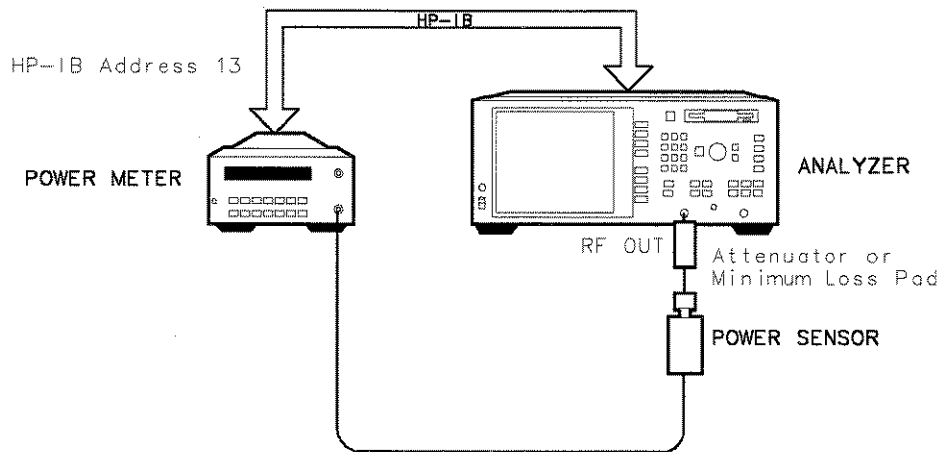
Warm-up Time

Allow the analyzer to warm-up for one hour.

Estimated Adjustment Time

This adjustment takes approximately five to ten minutes to run, depending on the installed options.

Procedure



sd616c

Figure 2-9. Setup for Source Power Correction

Note Before you begin this adjustment, you should store a copy of the correction constants in a disk file for later retrieval, if you have not done so already.

1. Switch ON the power meter and let it warm up for at least five minutes.
2. Connect an HP-IB cable between the analyzer and the power meter. Set the HP-IB address of the power meter to 13. Disconnect any controller that may be on the HP-IB bus.
3. Press **PRESET** **SYSTEM OPTIONS** **Service** **Test and Adjustments** **Select Adjustment** **104** **ENTER** **Execute Test**.
4. Follow the instructions on the screen.
5. When the test is done, disconnect the power sensor and press **PRESET** **SYSTEM OPTIONS** **HP-IB** **Talker/Listener**.
6. If you are *not* going to make any more adjustments, press **SYSTEM OPTIONS** **Service** **Update Corr Const** **Store CC to EPROM**.

If you *are* going to make more adjustments, save the correction constant data that you have generated so far.

- a. Insert a formatted disk into the internal disk drive.
- b. Press **SYSTEM OPTIONS** **Service** **Update Corr Const** **Store CC to Disk**. This creates a file (or writes over an existing file) where the correction constants are stored.

In Case of Difficulty

If the system locks up or the power meter does not respond to the analyzer, make sure the HP-IB cable is correctly connected and the HP-IB address on the power meter is set to 13.

If a "log error" occurs on the power meter during the low power adjustment and the test stops, you will need to do the test again. Switch OFF the analyzer and preset the power meter.

Note

If you must cycle the analyzer's line power, and you did not store the correction constants to disk before starting this adjustment, you need to repeat all of the adjustments done up to this point, then repeat the source power correction. If you did save the correction constants to disk, recall the correction constants data from disk as described in "Loading Correction Constants from Disk" in Chapter 8, then go back to step 1 to repeat this adjustment.

B Amplitude Correction, Adjustment #105

This procedure corrects the B narrowband input so that it displays a flat 0 dB trace with an input of 0 dBm from the analyzer's internal source.

Required Equipment

Equipment Description	Recommended Model or Part Number	
	50Ω	75Ω
Type-N cable	8120-4781 8120-6469 ¹	8120-2408 8120-6468 ¹

¹ This cable is preferred because it has better match and lower loss, which results in a better default calibration.

Warm-up Time

Allow the analyzer to warm-up for one hour.

Estimated Adjustment Time

This adjustment takes approximately one minute to perform.

Procedure

1. Connect a cable from the RF OUT port to the RF IN port.
2. Press **PRESET** **SYSTEM OPTIONS** **Service** **Test and Adjustments** **Select Adjustment** **105** **ENTER** **Execute Test**.

3. Follow the instructions on the screen.

4. If you are *not* going to make any more adjustments, press **SYSTEM OPTIONS** **Service** **Update Corr Const** **Store CC to EPROM**.

If you *are* going to make more adjustments, save the correction constant data that you have generated so far.

- a. Insert a formatted disk into the internal disk drive.
- b. Press **SYSTEM OPTIONS** **Service** **Update Corr Const** **Store CC to Disk**. This creates a file (or writes over an existing file) where the correction constants are stored.

Transmission (B/R) Correction, Adjustment #106

This procedure performs a transmission response calibration to correct for frequency response in narrowband B/R measurements. It is recommended that you use a short-length, high quality cable to perform this adjustment.

Required Equipment

Equipment Description	Recommended Model or Part Number	
	500	750
Type-N cable	8120-4781 8120-6469 ¹	8120-2408 8120-6468 ¹

¹ This cable is preferred because it has better match and lower loss, which results in a better default calibration.

Warm-up Time

Allow the analyzer to warm-up for one hour.

Estimated Adjustment Time

This adjustment takes approximately one minute to perform.

Procedure

1. Connect a cable from the RF OUT port to the RF IN port.
2. Press **PRESET** **SYSTEM OPTIONS** **Service** **Test and Adjustments** **Select Adjustment** **106** **ENTER** **Execute Test**.
3. Follow the instructions on the screen.
4. If you are *not* going to make any more adjustments, press **SYSTEM OPTIONS** **Service** **Update Corr Const** **Store CC to EPROM**.

If you *are* going to make more adjustments, save the correction constant data that you have generated so far.

- a. Insert a formatted disk into the internal disk drive.
- b. Press **SYSTEM OPTIONS** **Service** **Update Corr Const** **Store CC to Disk**. This creates a file (or writes over an existing file) where the correction constants are stored.

B* Amplitude Correction, Adjustment #110

In this procedure, the analyzer corrects for amplitude variations in the B* circuitry.

Required Equipment

Equipment Description	Recommended Model or Part Number	
	50 Ω	75 Ω
Type-N cable	8120-4781 8120-6469 ¹	8120-2408 8120-6468 ¹
20 dB attenuator ²	HP 8491A Opt. 020	0955-0768

1 This cable is preferred because it has better match and lower loss, which results in a better default calibration.

2 This item may not be required; see text below.

The required equipment for this adjustment varies depending upon whether or not the analyzer has an attenuator installed (HP 8730A or Option 1E1 analyzers). If the analyzer has an internal attenuator, then only a type-N cable is needed to complete the adjustment. If an attenuator is not installed, then a 20 dB attenuator of the proper impedance will also be required.

If a 75 Ω 20 dB attenuator is not readily available for Option 1EC analyzers, you can substitute two back-to-back minimum loss pads with a 6 dB 50 Ω attenuator inserted in between (several adapters may also be required).

Warm-up Time

Allow the analyzer to warm-up for one hour.

Estimated Adjustment Time

This adjustment takes approximately three minutes to perform.

Procedure

1. Press **PRESET** **SYSTEM OPTIONS** **Service Test and Adjustments** **Select Adjustment** **110** **ENTER** **Execute Test**.

2. This is a fully automated adjustment handled by the internal firmware. Follow the instructions on the analyzer's display.

The analyzer presets after the test is done.

3. If you are *not* going to make any more adjustments, press **SYSTEM OPTIONS** **Service** **Update Corr Const** **Store CC to EPROM**.

If you *are* going to make more adjustments, save the correction constant data that you have generated so far.

a. Insert a formatted disk into the internal disk drive.

b. Press **SYSTEM OPTIONS** **Service** **Update Corr Const** **Store CC to Disk**. This creates a file (or writes over an existing file) where the correction constants are stored.

AM Delay Correction, Adjustment #112

This procedure compensates for any loss in the analyzer's AM delay circuitry.

Note This adjustment is only required for analyzers with Option 1DA or Option 1DB.

Required Equipment

Equipment Description	Recommended Model or Part Number	
	50Ω	75Ω
Type-N cable	8120-4781 8120-6469 ¹	8120-2408 8120-6468 ¹

¹ This cable is preferred because it has better match and lower loss, which results in a better default calibration.

Warm-up Time

Allow the analyzer to warm-up for one hour.

Estimated Adjustment Time

This adjustment takes approximately one minute to perform.

Procedure

1. Connect a through cable between the RF IN port and the RF OUT port.
2. Press **PRESET** **SYSTEM OPTIONS** **Service** **Test and Adjustments** **Select Adjustment** **112** **ENTER** **Execute Test**.
3. Follow the instructions on the screen.
4. If you are *not* going to make any more adjustments, press **SYSTEM OPTIONS** **Service** **Update Corr Const** **Store CC to EPROM**.

If you *are* going to make more adjustments, save the correction constant data that you have generated so far.

- a. Insert a formatted disk into the internal disk drive.
- b. Press **SYSTEM OPTIONS** **Service** **Update Corr Const** **Store CC to Disk**. This creates a file (or writes over an existing file) where the correction constants are stored.

Reflection (One-Port) Correction, Adjustment #107

This procedure corrects for errors in reflection measurements. The analyzer measures an open, a short, and a load to perform a one-port reflection calibration.

Required Equipment

Equipment Description	Recommended Model or Part Number	
	50 Ω	75 Ω
Calibration kit	HP 85032B/E	HP 85036B/E

Warm-up Time

Allow the analyzer to warm-up for one hour.

Estimated Adjustment Time

This adjustment takes approximately three minutes to perform.

Procedure

1. Press **PRESET** **SYSTEM OPTIONS** **Service** **Test and Adjustments** **Select Adjustment** **107** **ENTER** **Execute Test**.
2. Follow the instructions on the screen.
3. If you are *not* going to make any more adjustments, press **SYSTEM OPTIONS** **Service** **Update Corr Const** **Store CC to EPROM**.

If you *are* going to make more adjustments, save the correction constant data that you have generated so far.

- a. Insert a formatted disk into the internal disk drive.
- b. Press **SYSTEM OPTIONS** **Service** **Update Corr Const** **Store CC to Disk**. This creates a file (or writes over an existing file) where the correction constants are stored.

R* Amplitude Correction, Adjustment #108

This procedure generates correction constants to improve absolute power accuracy in R* measurements. (Frequency effects are corrected in "R* Frequency Response Correction, Adjustment #109.")

Required Equipment

Equipment Description	Recommended Model or Part Number	
	50Ω	75Ω
Type-N (m) termination (p/o HP 85032B/E or HP 85036B/E)	00909-60009	00909-60019

Caution You must perform adjustment #103 (external detector correction) and adjustment #104 (source power correction) before running the R* amplitude correction adjustment.

Warm-up Time

Allow the analyzer to warm-up for one hour.

Estimated Adjustment Time

This adjustment takes approximately two minutes to perform.

Procedure

1. Connect a termination (included in the HP 85032B/E or 85036B/E calibration kit) to the RF OUT port.
2. Press **PRESET** **SYSTEM OPTIONS** **Service Test and Adjustments** **Select Adjustment** **108** **ENTER** **Execute Test**.

3. Follow the instructions on the screen.

If the analyzer displays an error message and aborts the adjustment, the calibration data from adjustments #103 and #104 are probably corrupt and adjustments #103 and #104 should be performed again.

4. If you are *not* going to make any more adjustments, press **SYSTEM OPTIONS** **Service** **Update Corr Const** **Store CC to EPROM**.

If you *are* going to make more adjustments, save the correction constant data that you have generated so far.

- a. Insert a formatted disk into the internal disk drive.
- b. Press **SYSTEM OPTIONS** **Service** **Update Corr Const** **Store CC to Disk**. This creates a file (or writes over an existing file) where the correction constants are stored.

R* Frequency Response Correction, Adjustment #109

This procedure corrects for frequency response errors in R* measurements.

Caution You must perform adjustment #108 (R* amplitude correction) before running the R* frequency response correction adjustment.

Required Equipment

Equipment Description	Recommended Model or Part Number	
	50 Ω	75 Ω
Type-N (m) termination (p/o HP 85032B/E or HP 85036B/E)	00909-60009	00909-60019

Warm-up Time

Allow the analyzer to warm-up for one hour.

Estimated Adjustment Time

This adjustment takes approximately one minute to perform.

Procedure

1. Connect a termination (included in the HP 85032B/E or HP 85036B/E calibration kit) to the RF OUT port.
2. Press **PRESET** **SYSTEM OPTIONS** **Service** **Test and Adjustments** **Select Adjustment** **109** **ENTER** **Execute Test**.
3. Follow the instructions on the screen.
4. If you are *not* going to make any more adjustments, press **SYSTEM OPTIONS** **Service** **Update Corr Const** **Store CC to EPROM**.

If you *are* going to make more adjustments, save the correction constant data that you have generated so far.

- a. Insert a formatted disk into the internal disk drive.
- b. Press **SYSTEM OPTIONS** **Service** **Update Corr Const** **Store CC to Disk**. This creates a file (or writes over an existing file) where the correction constants are stored.

Assembly Replacement

Introduction

This chapter describes how to disassemble and reassemble your analyzer for the purpose of replacing a failed assembly. It also contains specific instructions for replacing each assembly.

Note Some individual components of each assembly may also be replaced. See Chapter 7, “Parts List,” for a list of the parts that are available for replacement.

Warning Parts of this instrument may have sharp edges. Work carefully to avoid injury.

Required Tools

- TORX drivers, sizes T-10 and T-15
- 5/8-inch wrench (for BNC nuts)
- 5/16-inch wrench (preferably the modified wrench included in the service kit)
- 5/16-inch nut driver (required only for display replacement)

Major Assembly Removal/Replacement

The following sections describe how to remove your analyzer's major assemblies. These include the:

- A1 front panel assembly
- A2 CPU assembly
- A3 fractional-N/reference assembly
- A4 source assembly
- A5 receiver assembly
- A6 power supply assembly
- A7 CRT assembly
- A8 floppy disk drive assembly (attached to the A2 CPU assembly)
- Option 1E1 attenuator assembly
- Option 1DA/1DB AM delay assembly

Note All assembly procedures can be described as the removal procedures performed in reverse order.

For your convenience, brief disassembly instructions are located on a label on the bottom of the analyzer.

A1 Front Panel Assembly Replacement

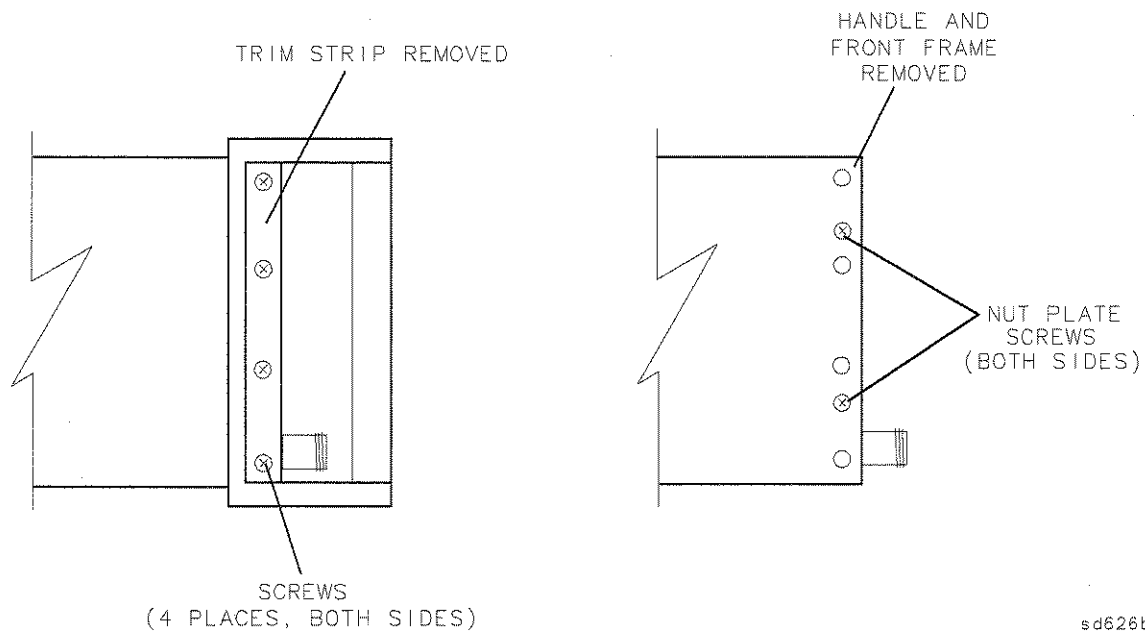


Figure 3-1. Removing the Handles and Front Panel Assembly

The A1 assembly comes in two different versions: 50 Ω and 75 Ω . (The HP 8730A only uses the 75 Ω version.) However, the difference is only cosmetic. Both assemblies include all front panel components including frame, keyboard, keypad, and knob. The assembly does not include the model number nameplate, which must be ordered separately, nor does it include the type-N connectors which are part of the A5 receiver assembly.

If the front frame has been damaged, but the keypad and knob are OK, you can save money by ordering only the following three parts:

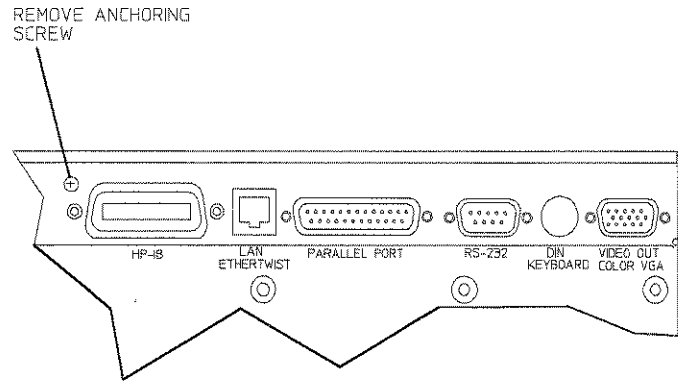
- Front frame
- Nameplate (choose according to model number)
- Front dress panel (choose 50 Ω or 75 Ω version)

How to Remove the Front Panel Assembly

1. Disconnect the power cord.
2. Remove the front handles (trim strip first). See Figure 3-1.
3. Pull the center top of the front panel up slightly and pull the center bottom down slightly to release the two centered catches.
4. Pull the front panel away from the cabinet several inches.
5. Disconnect the ribbon cable from the circuit board.
 - a. If you are planning to remove the A3, A4, or A5 assemblies later, remove the handle nut plate on the right side.
 - b. If you are planning to remove the A6 or A7 assembly, you should remove the handle nut plate on the left side.
 - c. If you are planning to remove the A2 assembly, you should remove both handle nut plates.
6. To remove the RPG knob, pull it off its splined shaft.
7. To remove the RPG, disconnect the five-wire cable from A1J2. Remove the knob, hex nut, and washer.

Note If you are replacing a probe power fuse, they are located in sockets on the A1 front panel assembly. See Table 7-3, Item 6.

A2 CPU Board Assembly Replacement



sd61c

Figure 3-2. Removing the CPU Assembly

Caution Failure to follow instructions may result in an improperly operating analyzer. Make a copy of the correction constants (see Chapter 8) before replacing the A2 CPU assembly.

Also, it is recommended that your analyzer's firmware disk be available before replacing the A2 CPU assembly. The replacement A2 CPU assembly may be shipped from the factory with a different firmware revision than your current firmware revision. If the replacement A2 CPU assembly was shipped with a different firmware revision, but the original firmware revision is desired, you can restore the original firmware from the analyzer's firmware disk. See "Upgrading or Re-Installing Firmware" in Chapter 8.

Caution Perform the following *only* at an approved ESD workstation. See Figure 4-1 in the "Troubleshooting and Block Diagrams" chapter.

The replacement A2 CPU assemblies are supplied *without* a bootROM and with the latest-version firmware installed.

To restore the same operation that your original A2 CPU assembly had (which depended upon the installed options and model number), adhere to the following instructions. If you do not wish to use the latest-version firmware, you will need a firmware disk containing the version desired.

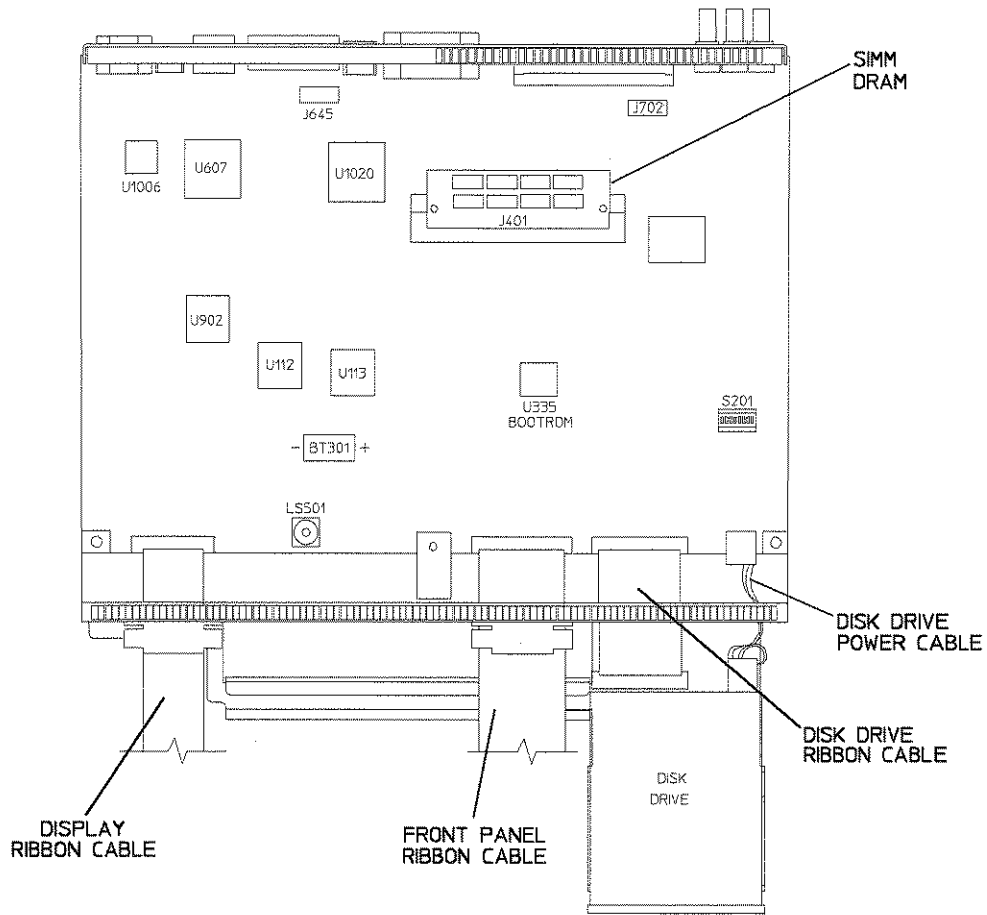
How to Remove the CPU Board Assembly

Perform all of the required steps listed below, if applicable:

1. Disconnect the power cord.
2. Disconnect all cables from the top row of connectors on the rear panel. Next, refer to Figure 3-2 and remove the anchoring screw just above the HP-IB connector.
3. Remove the front panel assembly (see “How to Remove the Front Panel Assembly”). Remove both the left and right handle nut plates.
4. Remove the display assembly (see “How to Remove the Display Assembly”).
5. Withdraw the CPU assembly from its cavity.
6. Exchange bootROM.

Note **Exchanging the bootROM must be done in order for the CPU board to function.**

- a. Locate bootROM U335 on the old assembly. See Figure 3-3.
- b. Use the IC extractor tool (included in the service kit) to carefully remove the bootROM.
- c. Carefully insert the original bootROM into the replacement CPU board, making sure that it is properly oriented.



sd621c

Figure 3-3. BootROM U335, Component Location

7. Transfer any modified SIMM memory:

If the original board has a larger SIMM installed, transfer the larger SIMM DRAM to the new CPU assembly.

Note As shipped from the factory, all analyzers have 8 MB of SIMM memory. To increase the amount of memory, remove the existing SIMM and replace it with a higher capacity SIMM.

8. Transfer the A8 3.5" internal disk drive assembly:

Remove the disk drive from the old board and install it on the replacement assembly.

9. Transfer all cable assemblies:

Remove all cable assemblies from the old board and properly attach them to the replacement board.

The replacement CPU board is now ready to be installed.

Note In the unlikely event that the bootROM has failed, then the replacement board (which has the transferred bootROM installed) will also "fail." A "minimum configuration" bootROM is included in the service kit to help isolate this type of failure. If it is proven that the bootROM has failed, contact your local HP sales or service office for assistance.

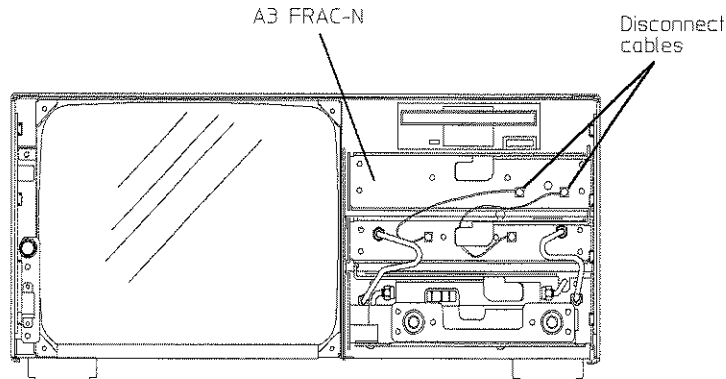
Note If you have ordered a rebuilt-exchange assembly, the failed CPU assembly must be returned with the SIMM module installed.

A3 Fractional-N/Reference Assembly Replacement

The A3 fractional-N/reference assembly consists of the main 10 MHz reference board and a fractional-N daughter board. These are pretuned as a set; do *not* attempt to order either board separately.

Before replacing any board, make sure the RCA phono cable plugs (items numbered 5, 6, 7, and 8 in Table 7-5 of the “Parts List” chapter) are fully seated. If they are not seated, the board may not fit or it may generate spurs.

Figure 3-4 depicts an HP 8713C/14C. Though the HP 8711C/12C/30A analyzer’s cable assemblies are slightly different, the assembly/disassembly procedures are the same.



sd652b

Figure 3-4. Removing the Fractional-N/Reference Assembly

How to Remove the Fractional-N/Reference Assembly

1. Disconnect the power cord.
2. Remove the front panel assembly (see “How to Remove the Front Panel Assembly”).
Remove the handle nut plate on the right side only.
3. Disconnect, if present, any cable from the EXT REF IN BNC connector on the rear panel.
4. Remove the nut and washer from the EXT REF IN BNC connector on the rear panel.
5. Disconnect the two flexible cables from the front of the assembly. See Figure 3-4.
6. Grasp the handle tab and pull forward to release the assembly. Once released, the assembly will easily slide out of its cavity.

A4 Source Assembly Replacement

The source board comes in two different versions. One is for HP 8711C/12C/30A analyzers, and the other is for HP 8713C/4C analyzers. Make sure the proper board is ordered.

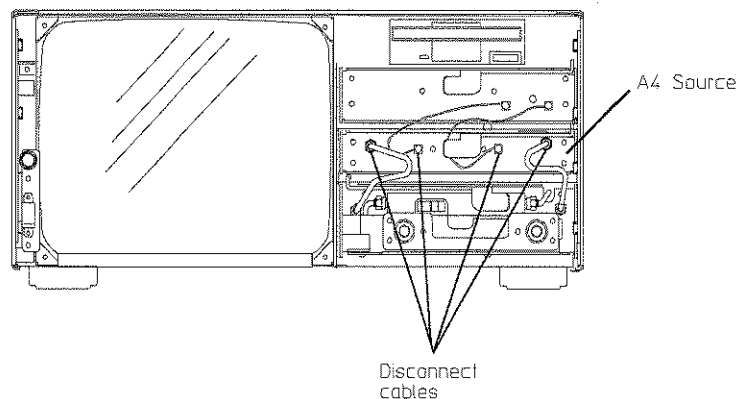
How to Remove the Source Assembly

1. Disconnect the power cord.
2. Remove the backplane cover by unscrewing the two hold-down screws and sliding the cover off.
3. Remove the rear panel screw (SCREW 9 as indicated on the rear-panel label) located to the right of the XA4J1 connector.
4. Remove the front panel assembly (see "How to Remove the Front Panel Assembly"). Remove the handle nut plate on the right side only.
5. Disconnect the four cables from the front of the source assembly. See Figure 3-5.

Caution Be very careful when reconnecting the semi-rigid cables (items numbered 1 and 4 in Table 7-1 and Table 7-2 in the "Parts List" chapter). They are not interchangeable. Ensure that one cable is not confused with the other. It is possible to force the wrong cable onto the wrong connector, resulting in damage to the connectors/cables. Tighten to 10 lb-ins of torque.

6. Grasp the handle tab and pull forward to release the assembly. Once released, the assembly will easily slide out of its cavity.

Note Insure that SCREW 9 is re-installed and secure when you have completed reassembling the analyzer.



sd653b

Figure 3-5. Removing the A4 Source Assembly

A5 Receiver Assembly Replacement

Caution Perform the following only at an approved ESD workstation.

There are four A5 receiver assemblies available for replacement. There are both 50 Ω and 75 Ω versions for the HP 8711C/12C or the HP 8713C/14C analyzers. (The HP 8730A only uses the 75 Ω version that is compatible with the HP 8711C/12C.) Make sure the correct version is ordered.

If one or both RF port connectors are damaged, you *must* replace the plate that contains both connectors. Do *not* attempt to replace a single connector by itself. These connectors have been machine-pressed into the plate to prevent undesired rotation. It is not possible to duplicate this in the field. This plate assembly can be replaced separately.

The replacement A5 receiver assemblies are supplied in their standard configurations (with no options). To restore the same operation that your original A5 receiver assembly had (which depended upon the installed options), perform all of the required steps below, if applicable.

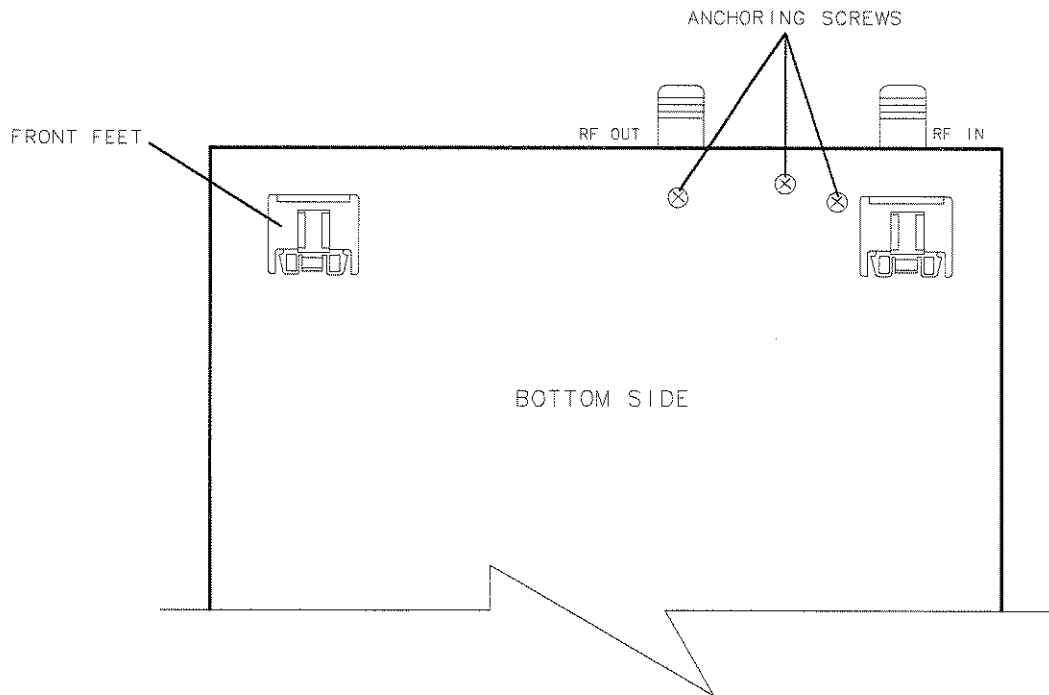
Note *For HP 8711C/12C/13C/14C analyzers with Option 1E1 and the HP 8730A standard:*

It is necessary to remove the attenuator/board assembly from the original receiver and install it onto the new assembly. Carefully replace the attenuator assembly, ribbon cable (if required), and any semi-rigid RF coax cables.

For HP 8711C/12C/13C/14C analyzers with Option 1DA or 1DB:

It is necessary to remove the AM delay board assembly from the original receiver and install it onto the replacement assembly. Carefully replace the AM delay assembly, ribbon cable (if required), and any semi-rigid RF coax cables.

How to Remove the Receiver Assembly



sd627b

Figure 3-6. Anchoring Screw Locations for A5 Receiver Removal

1. Disconnect the power cord.
2. Disconnect any cables from the EXT DET X-input, EXT DET Y-input, and AUX INPUT rear panel BNC connectors.
3. Remove nuts and washers from AUX INPUT BNC connector.
4. Remove the three anchoring screws on the bottom of the analyzer. See Figure 3-6.
5. Remove the front panel assembly (see “How to Remove the Front Panel Assembly”). Remove the handle nut plate on the right side only.
6. There are two semi-rigid cables connecting the A5 assembly to the A4 assembly. Completely loosen one nut on each cable where it connects to the A4 assembly, then separate the cable from the A4 assembly.

Caution Be very careful when reconnecting the semi-rigid cables (items numbered 1 and 4 in Table 7-1 and Table 7-2 in the “Parts List” chapter). They are not interchangeable. Ensure that one cable is not confused with the other. It is possible to force the wrong cable onto the wrong connector, resulting in damage to the connectors/cables. Tighten to 10 lb-ins of torque.

7. Grasp the handle tab and pull forward to release the assembly. Once released, the assembly will easily slide out of its cavity.

A6 Power Supply Assembly Replacement

The power supply is a single assembly. The only lower level part available for replacement is the cooling fan.

How to Remove the Power Supply Assembly

1. Disconnect the power cord.
2. Remove the front panel assembly (see “How to Remove the Front Panel Assembly”).
Remove the handle nut plate on the left side only.
3. Remove the display enclosure (see the following section “How to Remove the Display Assembly”).
4. Remove the four screws along the rear edge of the display enclosure.
5. Remove the screw from the display access panel.
6. Open the display access panel and disconnect the two-wire cable from the power supply.
7. Withdraw the power supply from the housing.

A7 Display Assembly Replacement

The display consists of the CRT assembly and a matched circuit board. Both assemblies must be replaced at the same time.

How to Remove the Display Assembly

1. Disconnect the power cord.
2. Remove SCREW 7 (two places) as indicated on the rear-panel label.
3. Remove the two screws (located on the display side of the analyzer) from the bottom of the analyzer chassis.
4. Remove the front panel assembly (see "How to Remove the Front Panel Assembly"). Remove handle nut plate on left side only.
5. Withdraw the enclosure 2 or 3 inches from its cavity.
6. Disconnect the ribbon cable from the jack behind the top of the CRT.
7. Withdraw the enclosure completely from its cavity.
8. Remove the screw from the display access panel and open.
9. Disconnect all associated cables from the CRT and circuit board.
10. Remove the four nuts and washers (one set from each corner) that secure the CRT to the display enclosure. Withdraw the CRT from the enclosure.
11. Remove the 2 screws that secure the circuit board to the display enclosure. Withdraw the circuit board from the enclosure.

How to replace the power switch or brightness control

1. Remove the display enclosure from the analyzer.
2. Locate the switch and brightness control at the left side of the display. Remove both controls from the display flange.
3. Both the controls and their associated cables must be replaced as a unit.

How to Adjust the Position of the CRT

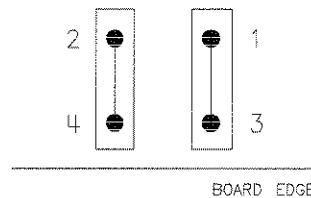
If the display does not seem to be level (scan lines do not appear to be horizontal) after replacement, the position of the CRT may need to be adjusted within the display enclosure.

1. Loosen the four nuts (one from each corner) that secure the CRT to the display enclosure.
2. Reposition the CRT.
3. Tighten the four nuts.

A8 3.5" Internal Disk Drive Assembly Replacement

The disk drive is a non-repairable unit and must be replaced if it fails. However, before replacing the drive, try cleaning the drive with a suitable cleaning device, or by spraying it with clean compressed air. Most "failed" drives are only in need of a cleaning.

If the drive must be replaced, you may need to reconfigure the jumpers. For Epson disk drives only, the jumpers should connect pins 1 and 3, and pins 2 and 4 (see Figure 3-7). Verify the position of the two jumpers and correct them if necessary. For information on the jumper configurations of other disk drives, contact your nearest HP sales or service office.



sd69c

Figure 3-7. A8 Disk Drive Jumper Configuration

How to Remove the 3.5" Disk Drive Assembly

1. Disconnect the power cord.
2. Remove the front panel assembly (see "How to Remove the Front Panel Assembly").
3. Remove the CPU assembly (see "How to Remove the CPU Assembly").
4. Remove the four screws anchoring the disk drive to the CPU assembly.
5. Disconnect the ribbon cable and power cable.

Attenuator Replacement

See "A5 Receiver Assembly Replacement."

AM Delay Modulator Replacement

See "A5 Receiver Assembly Replacement."

Post Repair Procedures

Table 3-1 describes the adjustments and performance tests that are required after replacing one or more of the analyzer's assemblies.

Table 3-1. Post Repair Procedures

Replaced Assembly	Required Adjustments	Suggested Verification Tests
A1 Front Panel	None	Functional Test Only
A2 CPU	Re-load correction constant file from disk OR (if CCs are not available): LO Power Correction ¹ Aux Input Correction Switched Gain Correction External Detector Correction Source Power Correction B Amplitude Correction Reflection Correction R* Amplitude Correction R* Frequency Response Correction B* Amplitude Correction AM Delay ² AUX Input	Functional tests only OR: Broadband Frequency Response Dynamic Accuracy Absolute Power Accuracy Directivity Power Flatness
A3 Fractional-N/Reference	Frequency Accuracy Adjustment Fractional-N VCO Adjustment Fractional-N Spur Adjustment	Frequency Accuracy Spurious Signals
A4 Source	LO Power Correction ¹ Source Power Correction B Amplitude Correction Reflection Correction AM Delay ²	Power Range and Flatness Spurious Signals
A5 Receiver	LO Power Correction ¹ Switched Gain Correction Aux Input Correction External Detector Correction Source Power Correction B Amplitude Correction Reflection Correction R* Amplitude Correction R* Frequency Response Correction B* Amplitude Correction AM Delay ²	Power Flatness Broadband Frequency Response Dynamic Accuracy Spurious Signals Absolute Power Accuracy Directivity Gain Compression Noise Floor
A6 Power Supply	None	Power-on self tests
A7 Display	Check display intensity	Functional tests only
A8 3.5" Internal Disk Drive	None	Functional test only
Attenuator	Source Power Correction Reflection Correction	Power Flatness Directivity
AM Delay Assembly	Source Power Correction Reflection Correction AM Delay ²	Power Flatness AM Delay Modulator

1 Not required for HP 8713C and HP 8714C analyzers.

2 Only required for analyzers with Option 1DA or 1DB.

How to Order Parts

Refer to Chapter 7, "Parts List." Identify the part and its part number. To order the part:

1. Use the part number listed
2. State the quantity desired
3. Address the order to the nearest Hewlett-Packard sales or service office. See Table 9-1 in the "Safety, Warranty, and Assistance" chapter.

To order parts not listed, include the analyzer model number, complete analyzer serial number, description and function of the part, and quantity desired.

Save Money by Ordering R-E (Rebuilt-Exchange) Assemblies

If you need to replace an assembly and would like to save money, consider a R-E (rebuilt-exchange) assembly. These factory-repaired, tested assemblies are available on a trade-in basis. They meet all factory specifications required of a new assembly. They are designated (R-E) in the "Parts List" chapter.

Save Time by Calling (800) 227-8164

To order parts as fast as possible, call the above number Monday through Friday, 6 AM to 5 PM PST. You will contact HP parts specialists with direct on-line access to the parts listed in this manual. Four-day delivery is standard; one-day (hotline) delivery is available for an additional charge. Outside of the United States, contact your nearest Hewlett-Packard sales or service office. See Table 9-1 in the "Safety, Warranty, and Assistance" chapter.

Troubleshooting and Block Diagrams

Introduction

This chapter is divided into four main, symptom-related sections. Refer to the section that best describes the problem you are observing, based on the results of your initial observation.

Category 1 Failures:

- Dead or no response
- No display
- Unreadable display
- Error message/code displayed

Category 2 Failures:

- No error message, but nonfunctional measurement (i.e. through-line transmission trace is not flat and centered around 0 dB).

Category 3 Failures:

- Inaccurate (but reasonably functional) measurements.

Category 4 Failures:

- Peripheral device problems such as:
 - HP-IB problems
 - printer problems
 - keyboard problems

General Notes

Warning *Always unplug the analyzer's line power before removing or installing an assembly.*

Caution The preset power level is user-definable. When pressing **PRESET**, change the power level to 0 dBm if necessary.

Caution If you have an HP 8730A, please read the following information carefully.

The troubleshooting procedures require the HP 8730A tuner analyzer to have the same preset state as a standard network analyzer.

Instead of using the **PRESET** key, press the following keys to change the preset state of the HP 8730A tuner analyzer to the preset state of a standard network analyzer:

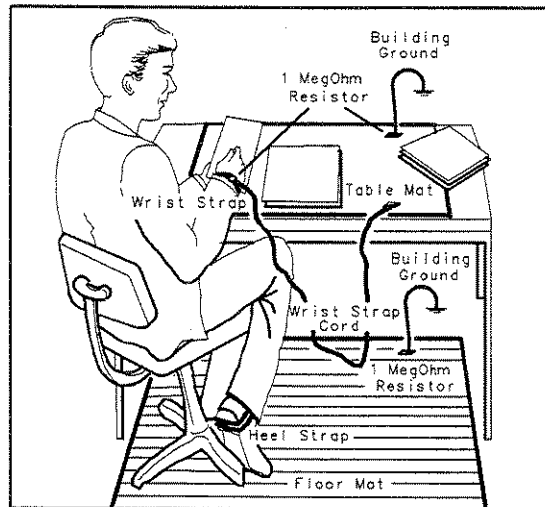
SYSTEM OPTIONS **Service**

Service Utilities **Next Menu** **Next Menu**

Inst State Utilities **Preset to 8711C**

To return your tuner analyzer to its original preset state, press **PRESET**.

Caution If you need to disassemble the instrument, be sure to work at an antistatic workstation and use a grounded wrist strap to prevent damage from electrostatic discharge (ESD). See Figure 4-1.



FORMAT46

Figure 4-1. Example of an Antistatic Workstation

- For disassembly procedures, see “Assembly Replacement.”

Warning **Some parts in the analyzer have sharp edges. Work carefully to avoid injury.**

- Before replacing an assembly, inspect the board for obvious, easy-to-fix defects. Examples include:
 - bent pins on ICs
 - no solder in holes around the edges of shields
 - cold solder joints

Service Kit

The service kit (HP part number 08712-60012) for the HP analyzers contains several parts that are useful for adjusting and servicing the analyzer. The following parts are included:

- An extender board assembly that allows you to operate selected internal board assemblies outside the analyzer chassis.
- An HP-IB connector extender that allows you to mate an HP-IB cable when the extender board assembly is attached to the analyzer.
- Two SMB extension cables, 12 inches long (30-cm).
- A modified 5/16-inch wrench for better access to SMA cable nuts.
- An IC extractor tool for removing ICs such as the U335 bootROM.
- A 6-inch (150-mm) semi-rigid coaxial extension cable.
- A non-shielded display ribbon cable used to connect the display when the A2 CPU board is operated outside the chassis.
- A voltage reference source used to perform several adjustments. The source provides $\pm 0.5V$, $\pm 24mV$, and $+10V$ supplies.
- A “minimum configuration” bootROM.

How to Use the Extender Board

The A2, A3, A4, and A5 board assemblies can all be operated outside of the chassis with the extender board. This can be very helpful if you are troubleshooting a problematic board assembly.

The supplied display ribbon cable is needed to connect the display if the A2 CPU assembly is connected to the extender board.

The SMB extension cables may be needed for the A3 fractional-N/reference or A4 source assemblies.

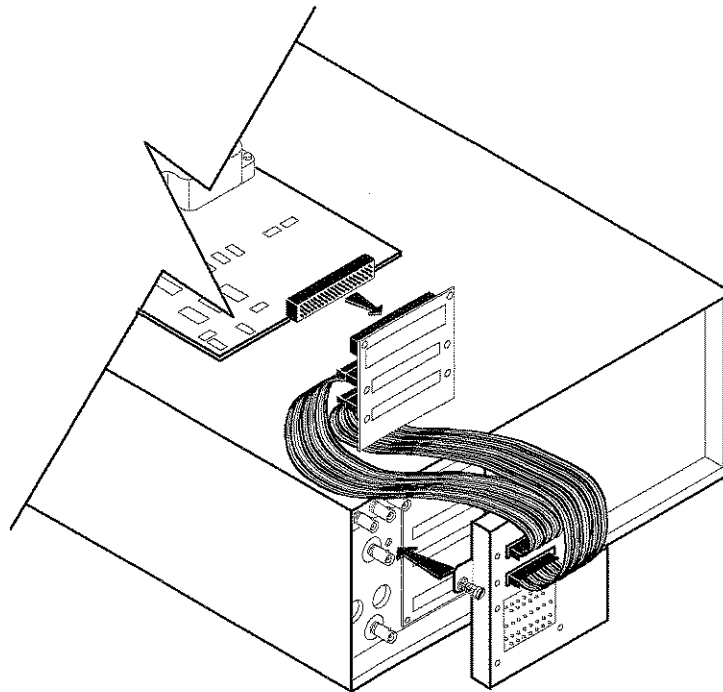
The A4 source and A5 receiver assemblies will need two flexible SMA RF cables (not supplied) to make the analyzer fully operational while either of these boards are connected to the extender board.

To use the extender board, follow these instructions:

1. Loosen the two screws on the back cover.
2. Slide the cover to the right and remove it.
3. Attach the lower half of the extender assembly to where the cover was previously located.
4. Align the hold-down screws and tighten securely; the board will not function if not tightened sufficiently.
5. Attach the two ribbon cable connectors as shown in Figure 4-2.

The board under test plugs into the 96-pin connector. When properly connected, both the top half of the extender assembly and the attached board under test can rest on top of the analyzer.

Note	If it is necessary to connect a computer to the analyzer while using the extender board, then the HP-IB connector extender (supplied) will be required in order to make a connection.
-------------	---



06280

Figure 4-2. Connecting the Extender Board

Initial Observations - Normal Power-up Sequence

Prepare the analyzer for observation by performing these steps:

1. Disconnect all accessories and peripherals.
2. Remove the disk (if any) from the internal disk drive.
3. Connect a known-good cable between the RF OUT and RF IN ports.

Switch ON the analyzer and watch for the proper power-up sequence:

1. Immediately after the analyzer's line power is switched on, the disk drive light activates briefly and a "beep" is audible from the CPU.
2. The CRT lists the bootROM self-tests being performed. (The CRT may take a few seconds to warm up.) If all bootROM self-tests pass, the analyzer beeps twice.
3. The disk drive light illuminates briefly and the firmware loads from ROM.
4. The analyzer runs all of the remaining self-tests and the CRT displays the PASS/FAIL status of the self-tests.
5. During the next few seconds, these messages appear on CRT:
 - a. Initializing
 - b. Calculating correction coefficients
 - c. Initializing detector corrections
 - d. Other messages may appear briefly, depending on the analyzer's state at the time that the power was switched off.
6. Information on the model number, firmware revision, and installed options will be displayed. The graticule may also be displayed, depending on the analyzer's power-down state.

Press **PRESET** (see the cautions on pages 4-1 and 4-2). The display should show a transmission trace (a flat line at 0 dB). If it does not, ensure the cable connecting the RF OUT port to the RF IN port is good and securely connected.

If the analyzer will not switch on, check the AC line power. Make sure that the line voltage selector (below AC power plug) is set correctly. Check the fuse.

If the analyzer does not go through the steps above, if any error messages appear, or if the problem persists, refer to the section titled "Category 1 Failures."

Note If any error is generated during the power-up sequence, the analyzer will halt after displaying the error message. At this point, if you press any key on the analyzer, it will attempt to resume operation. However, *erroneous or unstable operation may result*. The option of ignoring the error message is provided only as a troubleshooting aid.

Operator's Check

Perform the Operator's Check procedure in the "Performance Tests" chapter of this guide. It is a simple test of the analyzer's measurement capability. If the test passes and peripherals are not involved, duplicate the operating conditions under which the system failed and refer to the appropriate section in this chapter if the problem reoccurs.

Category 1 Failures - Dead or No Response, No Display, Unreadable Display, or Error Messages on the Display

This category of failure usually involves one of the following:

- a defective A6 power supply
- a defective A2 CPU
- Poor contact with the rear plane connector board
- A digital failure in any board assembly
- A defective display

Troubleshooting A6 Power Supply Assembly Problems

Begin here if the problem appears to be power supply related.

Check the Rear Panel LEDs

Switch the analyzer's line power ON. Check the condition of the two LEDs visible through the hole in the rear panel to the right of the AC power plug.

If the green LED is on and the red LED is off:

This represents a normal condition. Continue with "Measure the Power Supply Voltages" to confirm that the power supplies are functioning properly.

If neither LED is on:

Check the line fuse, located in a holder above the AC power jack, and replace it with the spare provided if necessary. Check the AC power line. If the LEDs are still off, replace the power supply.

If the green LED is on, the red LED is on steadily, and the fan is off:

Check the line voltage selector switch, located below the AC power jack. If it is correct, remove the power supply/display assembly and make sure that the cable from the on/standby switch to the power supply assembly is connected.

With the power supply/display assembly outside the analyzer, plug it in and switch the analyzer's line power ON.

If the fan is still off:

Check the four green power supply LEDs visible from the right side of the display enclosure (as viewed from the front). If the LEDs are on, the fan is probably broken. Replace the fan or the entire power supply assembly.

If the green LED is on, the red LED is on steadily, and the fan is on:

Go to "Measure the Power Supply Voltages." Note that it is normal for both the green and red LEDs to be on when the power switch is in STANDBY, but not when the switch is in the ON position.

If the green LED is on, and the red LED is blinking:

The power supply is in shutdown. Remove the power supply/display assembly from analyzer, plug it in and switch the analyzer's line power ON.

If the red LED is still blinking:

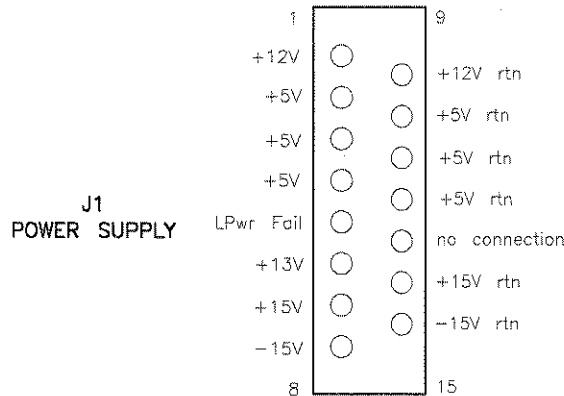
Replace the power supply.

If the red LED is now off:

Go to the following section "Remove Assemblies" (the supply is being loaded down by another assembly).

Measure the Power Supply Voltages

Remove the backplane cover from the rear panel. Figure 4-3 shows the pinout for J1. There are four main supplies, each with its own return, plus the standby voltage which powers the nonvolatile SRAM on the CPU board. Measure the voltages with a voltmeter. Values should be within 5% of nominal for all but the +13V supply.



sd614b

Figure 4-3. Power Supply Connector, as Viewed from Rear Panel

If the voltages are not correct:

Remove the power supply/display assembly, plug in the AC power, and switch the analyzer's line power ON. Check the four power supply LEDs visible from the right side of the display enclosure (as viewed from the front).

If one or more LEDs are off:

Replace the power supply.

If all the LEDs are on:

Reseat the power supply/display assembly, making sure there's a good connection to the rear panel. Measure the voltages again. If the problem persists, check connectors on the power supply and on backplane board.

If the voltages are correct, but there is a probe power problem:

Remove the front panel and check the fuses on the back of the front-panel PC board.

Continue with the "Troubleshooting Digital Group Problems" section.

Remove Assemblies

If your problem has not been solved at this point in the troubleshooting process it is highly probable that one of the assemblies is causing the power supply to shut down. This may be caused by the other boards having bad contact with the backplane. Give each board a push to

make sure it is firmly seated. If the problem persists, remove the assemblies one at a time, and note which one is causing the shutdown. Refer to the "Assembly Replacement" chapter of this guide for disassembly instructions.

Note It is possible for the flexible metal "fingers" or a backplane connector pin to break off and cause a short, so check for loose pieces of metal.

Verify that none of the pins on the back-panel connector are bent. This is a common cause of shorted supplies or other nonfunctional problems.

Suggested order for assembly removal (easiest to hardest):

1. A1 front panel assembly
2. A7 display assembly (remove the ribbon cable while it is outside the analyzer; reinstall and see if the power supply is still shut down). If A7 display assembly appears to be causing shutdown, open the display enclosure cover (see Table 7-14 titled "A7 Display Assembly and Cable Locations" in the "Parts List" chapter of this guide) and make sure the board assembly is firmly seated.
3. A3 fractional-N/reference assembly
4. A4 source assembly
5. A5 receiver assembly
6. A2 CPU/A8 disk drive assembly

Troubleshooting Digital Group Problems

Error During Power-up

If there is no beep at power-up, but the CRT display is normal:

The problem is probably in the sound generator or speaker on the CPU board. Check the sound generator ICs (U500-U503, U515-U517, and U300) and the speaker (LS501), or replace the CPU board.

If there is no beep at power-up and no CRT display:

The problem is most likely one of two conditions:

- No power to CPU board (no CPU LEDs on)
- Another fault in the CPU assembly.

Look through the TEST RESULTS hole on the rear panel to see if the LEDs are lit. If none of the LEDs are lit, push the CPU board all the way into the backplane connector to ensure a good connection. Note that it is also possible for the board to have a bad or intermittent backplane connection and yet receive enough power to activate the LEDs.

If the LEDs are on, remove the CPU board (remove rear panel screws first). Then reinstall the CPU board, making sure to push it all the way in so that it connects properly with the backplane. If there is still no beep at power-up and CPU error code LED continues to display an "8," replace the entire CPU board.

If the disk drive light does not illuminate:

Make sure the power (3-wire) cable and ribbon cable are connected from the disk drive to the CPU board. Check the cables. The problem can be either a bad disk drive or bad drive circuitry

on the CPU. If a 3.5" disk drive controller error message appears during power-up, replace the CPU. Otherwise, replace the disk drive.

If there is no CRT display:

Adjust the front panel intensity knob clockwise to increase the brightness. If there is still no CRT display, remove the display and check the ribbon cable connection to the CPU board. If the problem persists, check the output from the VIDEO OUT COLOR VGA connector on the rear panel with a VGA display.

If the VIDEO OUT COLOR VGA signal appears good:

The problem is most likely either the display assembly or the ribbon cable.

If the VIDEO OUT COLOR VGA signal appears bad:

The video circuitry is probably bad. Replace the CPU or confirm video signals.

If an error occurs while firmware is being loaded (after 2 beeps are heard):

Reload the firmware from disk by inserting the firmware disk into the internal disk drive and switching the analyzer's line power ON. Press **BEGIN** at the Load firmware? query. The process will take a few minutes. Watch the CRT for information during the loading procedure.

If the analyzer locks up during or after the firmware loading, try clearing the SRAM:

- Cycle the the analyzer's power.
- After about 8 seconds, the analyzer will emit a double beep. Immediately after this double beep, press **PRESET** several times.
- The analyzer will pause after performing the CPU main self-tests and ask if you want to zero the SRAM. Answer YES by pressing the **BEGIN** key. Reload the firmware from disk again.

If a self-test fails:

The analyzer indicates the number of the first failed self-test in two ways:

- An error message appears on the CRT, if possible.
- "Test Status" LEDs display a number code corresponding to the number of the failed test.

Test Status LEDs. These include one red LED, one green LED, and a 7-segment LED which display the digits 0 through 9. The red and green LEDs are located to the left of the 7-segment LED when viewed from the rear panel.

Test Status LEDs code.

- Red LED and 7-segment LED on: test numbers 1 through 9, as shown on 7-segment display.
- Green LED and 7-segment LED on: tests 10 through 19. Add 10 to value shown on 7-segment display.
- Only green LED on: all self-tests passed.

Table 4-1 lists the power-up self-tests by number, with a description of the error messages and troubleshooting information. Some of the troubleshooting hints may require the use of a service extender board. Reference designators for main ICs are noted on the PC boards. Note that replacing the defective board is always an option; you need not troubleshoot to the component level.

Check the Test Status LEDs, then locate that test number in the table to determine what to do. For test numbers above 19, the name of the test is usually in the failure message, so look for the test name in Table 4-1. Refer to the "Service Related Menus" section of this guide for detailed descriptions of each test.

Note

Not all error messages are listed in the table. Many error messages describe the problem clearly and require no further explanation, so they are not included in this guide.

Some error messages are only partially reproduced, because the remainder of the message is specific to the error (e.g., provides address at which the failure occurred).

<num> indicates either an address or a value. These may be in decimal or hexadecimal notation.

Table 4-1. Analyzer Self-Tests

Test	Test Name	Applicable Error Messages and Notes
1	680x0 Processor	Errors begin with "CPU TEST FAIL." Remove CPU board, and check U105, U106, and TP103 (CPU clock). Then check U121 and U122. If test still fails, replace CPU board.
2	BootROM Checksum	Errors: Bad checksum table at ... ROM Checksum Failure in bank ... Checksum Table is Blank. ROM may be blank. Unexpected ROM Id at <num> Bad ROM count in Checksum table ... Bad ROM size in Checksum table ... This tests checksum of bootROM chip. Replace CPU board or U335.
3	Main ROM Checksum	Errors: Same as for test #2. This tests checksum of main flash EPROM. Reload firmware from floppy disk. If test still fails, replace the CPU board or check U301 and the EPROM chips U302-U305 or U308 and U309 (whichever are loaded).

Table 4-1. Analyzer Self-Tests (continued)

Test	Test Name	Applicable Error Messages and Notes
4	DRAM	<p>Errors: Memory size too small. Bus error. At address <num>, write <num> read <num>. RAM bit errors: <num> RAM refresh errors: <num></p> <p>Test writes/reads test patterns. Checks reported size of DRAM on power-up display. Memory size should be about 8 MB. Replace CPU board or check the following: DRAM control circuitry U412-U414, DL401 DRAM data interface chips U406-U409, U421-U424 DRAM address MUX U427-U432 DRAM SIMM (J401)</p>
5	(Not used)	
6	340x0 GSP Processor	Test not implemented
7	GSP Video	Test not implemented
8	(number not used)	<p>Test number not used because test status LED powers up with this as default. An "8" on the LED indicates the 68030 was unable to power-up and execute basic instructions. Check power supplies. If power supplies are good, then replace CPU board.</p>
9	DSP SRAM	<p>Errors: same as for test #4.</p> <p>Checks program SRAM used by the digital signal processor. Typical memory size about 65536 bytes. Replace CPU board, or check SRAM chips U716 and U717; and chips U704, U705, and U713.</p>
10	320C32 DSP Processor	Test not implemented.
11	68030 & 320C32 Communication	Test not implemented.
12	Backplane Bus	<p>Errors: Reference clock not toggling. Unable to gain control of DSP bus. Cannot perform backplane bus tests. Access error: wrote <num>, read <num>, right shift = <num> Source board: Failed self-test. Receiver board: Failed self-test.</p> <p>Test reads version numbers from fractional-N/ref, source, and receiver boards. Checks for 5 MHz clock from fractional-N/reference board. Make sure all boards are pushed in and making good contact with backplane. Check 10 MHz output from A3J3. If not found, see "Troubleshooting Source Group Problems." Replace CPU board or check U807, U810, and U811.</p>

Table 4-1. Analyzer Self-Tests (continued)

Test	Test Name	Applicable Error Messages and Notes
13	Non-volatile SRAM	<p>Errors: SRAM battery test FAILED - Saved states lost. SRAM battery test ERROR - Cannot access SRAM.</p> <p>Tests integrity of battery-backed SRAM, detects loss of power to SRAM. Writes/reads pattern to part of SRAM. Remove CPU board and check battery BT301, replace if needed. Replace CPU board or check the U327 and U100 controller, U329 and U330 SRAM, and U325 voltage regulator.</p>
14	LAN	<p>Tests the operation of the LAN circuitry. Replace U1020.</p>
15	CPU Support Circuitry	<p>Errors: Stuck interrupt.</p> <p>Tests interrupt circuitry. Replace CPU board, or check U106, U109, and U110.</p>
16	Analog Bus	<p>Errors: CPU +5V supply is out of range! Vpp Flash Supply is out of range!</p> <p>Tests analog bus ADC on CPU board. Replace CPU board, check power supplies, or check U300, U338, and Q300 voltage regulator chips for Vpp. Also check the analog bus ADC chips U223, U222, and VR201.</p>
17	Real Time Clock	<p>Tests ability to write/read to real time clock.</p>
18	Front Panel Interface	<p>Errors: Front panel keyboard FAILED. Command write timeout. Read input timeout. Clear input buffer failed. Echo byte test failed.</p> <p>Tests front panel control processor. Replace CPU board or check U510, U511 and U507.</p>
19	Floppy Disk Controller	<p>Error: Floppy Disk controller FAILED. Error number <num></p> <p>Tests controller chip, accesses registers, writes commands and verifies response. Replace CPU board or check U607, U603, U604, and U606.</p>
20	HP-IB Interface	<p>Error: HP-IB test FAILED. Data bit error on these bits: (followed by list)</p> <p>Tests HP-IB interface, writes to chip and verifies response. Test not performed if anything connected to HP-IB. Replace CPU board or check U524-U526.</p>
21	RS-232 Interface	<p>Errors: RS-232 interface test FAILED. Bus error. Cannot access. Data bit error on these bits: (followed by list)</p> <p>Tests RS-232 portion of the Super I/O chip, accesses registers on chip, checks for clock input. Replace CPU board or check Super I/O chip, U607, or its clock, U606.</p>

Table 4-1. Analyzer Self-Tests (continued)

Test	Test Name	Applicable Error Messages and Notes
22	DIN Keyboard Interface	<p>Errors: DIN Keyboard test FAILED Problem with DIN Keyboard Power Supply! Check Fuse.</p> <p>Tests DIN keyboard control portion of the Super I/O. Replace CPU board or check Super I/O chip, U607, or its clock, U606.</p>
23	Centronics Interface	<p>Errors: Centronics port test FAILED. Strobe bit error. Printer reset bit error. Printer select bit error.</p> <p>Replace CPU board or check Super I/O chip, U607, or its clock, U606.</p>
<p>Note: Tests numbered: 8, 11, and 14-17 are not run during power-up.</p>		

Error Occurs During DSP Initialization or Calculating Coefficients

Clear the Nonvolatile SRAM

- Cycle the the analyzer's power.
- After about 8 seconds, the analyzer will emit a double beep. Immediately after this double beep, press **PRESET** several times.
- The analyzer will pause after performing the CPU main self-tests and ask if you want to zero the SRAM. (Note the caution message!) Answer YES by pressing the **BEGIN** key. Continue if the error persists.

Measure the 5 MHz Reference Signal

The DSP requires this signal from the fractional-N/reference assembly for proper operation. This signal is routed on the backplane board. Make sure that the fractional-N/reference assembly is pushed all the way in and making good contact with the backplane. Measure the 5 MHz signal at J101-C24 on the backplane board with an oscilloscope. If the signal is present, refer to "Testing the DSP Circuitry" to check the DSP, or replace the CPU board.

If there is no 5 MHz signal at the backplane:

Check the reference board. If an external reference signal is used, make sure it's a 10 MHz reference with a level of at least -5 dBm.

If the internal 10 MHz reference is being used, check the output at A3J3 to verify that the crystal oscillator is working. If the 10 MHz signal is not present, replace the A3 fractional-N/reference assembly.

Front Panel Problems

If the analyzer appears to power-up normally but will not respond to keystrokes, verify that none of the keys are stuck. If the front panel keys are still not responding properly, remove the front panel and make sure the ribbon cable is properly connected between the front panel assembly and the CPU.

Inspect the keypad and the PC board. Replace if either assembly is defective. The RPG knob assembly can be replaced separately. Inspect the ribbon cable closely and verify that it is in good condition. Try removing the ribbon cable clamp located on the CPU board to verify this is not causing a short.

If an inspection of the front panel assembly reveals no obvious defects, replace the CPU board.

Other Power-Up Problems

A power-up sequence problem can also be caused by a problem with the SRAM. These problems can have many symptoms, since the symptom will depend on where the analyzer was in its power-up sequence when the bad data was encountered. Try clearing the SRAM (see previous section for instructions). If the problem persists, the DRAM is probably bad and/or the CPU board needs to be replaced.

Other Error messages

In some unusual cases, an error message similar to that shown below may occur. This may indicate a defective component, an anomaly in the firmware code, or an unspecified operating condition. In general, however, this message should never be seen. If it does appear, follow the instructions, then cycle power. If the problem reoccurs, try clearing SRAM (see "Clear the Nonvolatile SRAM," located earlier in this chapter). If the problem still exists, try reloading the firmware. If the problem persists, contact your local HP sales or service office for further instructions.

```
*****
UNRECOVERABLE ERROR:

Please report the error "xxxx.nn"
to your local HP Service or Sales office.

To help HP fix this problem quickly,
please note what you were doing when
this error occurred. Any related operating
information might be helpful, such as:
    Measurement type, # points,
    IBASIC and SCPI commands,
    printer and disk info, etc.

Thank you for reporting this error.
Cycle power to continue.
*****
```

The error number is in the form "xxxx.nn", where *nn* is a number from 0 to 31, and *xxxxx* is one of these names:

```
ARRY DEBUG FPKP HPIB IBAS IBSL IBfp IBkr
MMGR PLOT SELB TCH1 TCH2 TIME idle root
```

Examples include: ARRY.04, FPKP.08, and TCH1.10.
Others may also exist.

Category 2 Failures - No Error Message, but Nonfunctional Measurement

This group includes the A3 fractional-N/reference, A4 source board assemblies, and A5 receiver board assemblies. Typical problems include:

- Phase lock lost
- Transmission trace not close to 0 dB
- Power output problems
- Other RF problems

Troubleshooting the A3 Fractional-N/Reference Assembly

Check the Output Power

Connect a power meter or spectrum analyzer to the RF OUT port. Set the analyzer to a CW frequency of 300 kHz in trigger-hold mode. Change power level and see if output power changes correctly. Repeat at several different frequencies (i.e. 1 MHz and 50 MHz).

If there is little or no source output, or a transmission trace is exceptionally noisy:

The source may be disconnected from the receiver. Check the cable connections between the source and receiver (torque to 10 inch-lbs). If the problem persists, go to “Phase Lock Problems” below.

If little or no output power is available on an HP 8713C/14C:

It is possible that the analyzer was subjected to excessive reverse power or a high level of ESD. In either case, the built-in source limiter may have opened (somewhat like a fuse). This source limiter is located on the A5 receiver and can be replaced separately as an individual component. If RF power is available at the output of the A4 source board but not at the output of the A5 receiver, then suspect the limiter. This can easily be checked with a continuity checker between the two center pins.

If the signal is not steady (i.e. appears unlocked), or if the frequency doesn't change properly):

Go to “Phase Lock Problems.” If the signal appears okay but the power levels are incorrect, go to “Power Problems.” Otherwise, proceed to the “Troubleshooting Receiver Problems.”

Phase Lock Problems

There are three phase lock loops on the source board: RF1, RF2, and the source LO. As you can see from the overall block diagram at the end of this chapter, the source LO is mixed with the RF1 signal to produce the source RF output. It is also mixed with the RF2 signal to produce the receiver LO output.

Since both the RF1 and RF2 loops use the 10 MHz reference signal from the A3 fractional-N/reference board, first verify the accuracy of that signal.

To verify the 10 MHz reference signal:

Remove the handles and front panel. Connect an oscilloscope and/or frequency counter to A3J3 (the connector on the right) to measure the 10 MHz output from the A3 fractional-N/reference board.

Note The output signal must be measured with a 50Ω load attached. Typically this signal consists of a 2V, 15 ns pulse into 50 ohms. The frequency should be 10 MHz ± 50 Hz.

- Signal correct: continue on to the following section “To Verify Fractional-N Output.”
- Signal present but not accurate: perform the “Frequency Accuracy Adjustment” procedure in the “Adjustments” chapter of this guide.
- No signal found: verify that the external reference has not been selected by pressing **MENU** and making sure that **Ext Ref on OFF** is displayed. If there is still no signal found, replace the fractional-N/reference board, or refer to “Detailed Fractional-N/Reference Troubleshooting” below.

Detailed Fractional-N/Reference Troubleshooting

To troubleshoot the 10 MHz reference signal: if a service extender board is available, put the A3 fractional-N/reference board on the extender board.

- Verify power supplies: -5V at TP1 and TP2.
- Check for the internal 10 MHz signal at TP7 and U5 pin 8. If this is not found, replace the A3 fractional-N/reference board or U5, the 10 MHz clock.
- Check TP8 for a 10 MHz signal. If this is present, Q1 is most likely bad. Replace the A3 fractional-N/reference board.

To Verify Fractional-N Output:

Set the analyzer to the CW frequencies in the Table 4-2, and check the fractional-N output at A3J1 (connector on the left).

The typical amplitude of this signal should be in the 0 to +4 dBm range. Any harmonics should be better than -16 dBc.

Table 4-2. Source Frequency Versus Fractional-N Frequency

HP 8711C/12C/30A		HP 8713C/14C	
Source Frequency	Fractional-N Frequency	Source Frequency	Fractional-N Frequency
300 kHz	36.567187 MHz	300 kHz	31.993251 MHz
500 MHz	44.375 MHz	500 MHz	38.825087 MHz
1.3 GHz	56.875 MHz	1.3 GHz	49.762587 MHz
		2.0 GHz	43.336806 MHz
		3.0 GHz	57.008681 MHz

- Fractional-N output OK: replace source board.
- Fractional-N output not OK: press **MENU** **Spur Avoid** and make sure dither is OFF, since the frequencies will be different for dither ON. Remove the A3 fractional-N/reference assembly and check all cables. Perform the “Fractional-N VCO Adjustment” (see the “Adjustments” chapter of this guide). If problem persists, replace the A3 fractional-N/reference assembly.

Troubleshooting the A4 Source Assembly

Note The following measurement values assume a properly adjusted instrument. If no correction constants have been loaded, the power levels given may vary a few dB either way.

Measure the RF output signal directly out of the source board at A4J4. Press **PRESET** (see the cautions on pages 4-1 and 4-2) and set the output frequency to CW 50 MHz; trigger hold mode. The RF output should be at 50 MHz \pm 250 Hz. The exact power level of this will vary depending upon the installed options but should typically be in the +1 to +5 dBm range. Set the frequency to 3000 MHz (1300 MHz for HP 8711C/12C/30A) and measure the power again. This power level should be in the range of +2 to +9 dBm, again depending upon the installed options. Frequency accuracy should be within 15 kHz (6500 Hz for HP 8711C/12C/30A).

Now check the LO output from the source at A4J1. Using the same conditions as above, measure the LO when the RF out is set to 50 MHz. The LO should always be 27.778 kHz **above** the RF signal. Repeat for 3000 MHz (1300 MHz for HP 8711C/12C/30A). Power levels for the LO should be in the +6 to +14 dBm range, regardless of frequency.

Troubleshooting the A5 Receiver Assembly

For the HP 8713C/14C:

Measure the RF output signal at the reflection port. If the output power is very low but the output at the source is OK, the source limiter located on the A5 receiver assembly has probably been overpowered by excessive RF or by ESD and is open. Check the limiter with an ohmmeter between the center pins and replace if necessary. (Inputs **B** and **R** will also be adversely affected by an open limiter.)

Connect a cable between the RF OUT and RF IN ports, then press **PRESET** (see the cautions on pages 4-1 and 4-2). The display should show a flat trace at about 0 dB. Press **MEAS1** **Reflection**. The display should resemble Figure 4-4 (Figure 4-5 for HP 8713C/14C), although the exact pattern and magnitude of the ripples will depend on the cable being used.

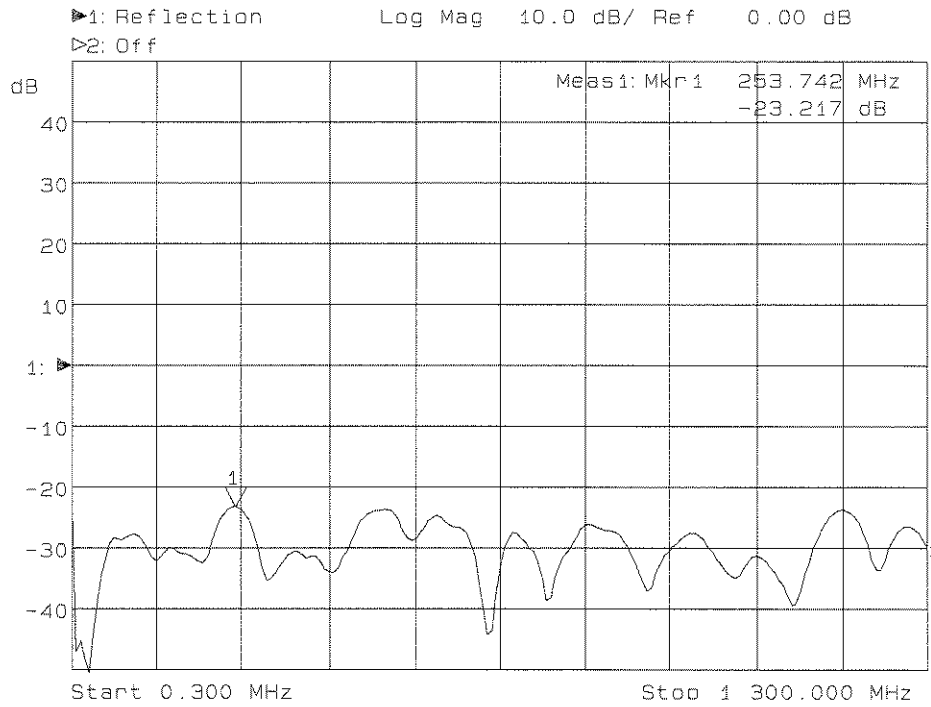


Figure 4-4.
HP 8711C/12C/30A Reflection Measurement with Through Cable

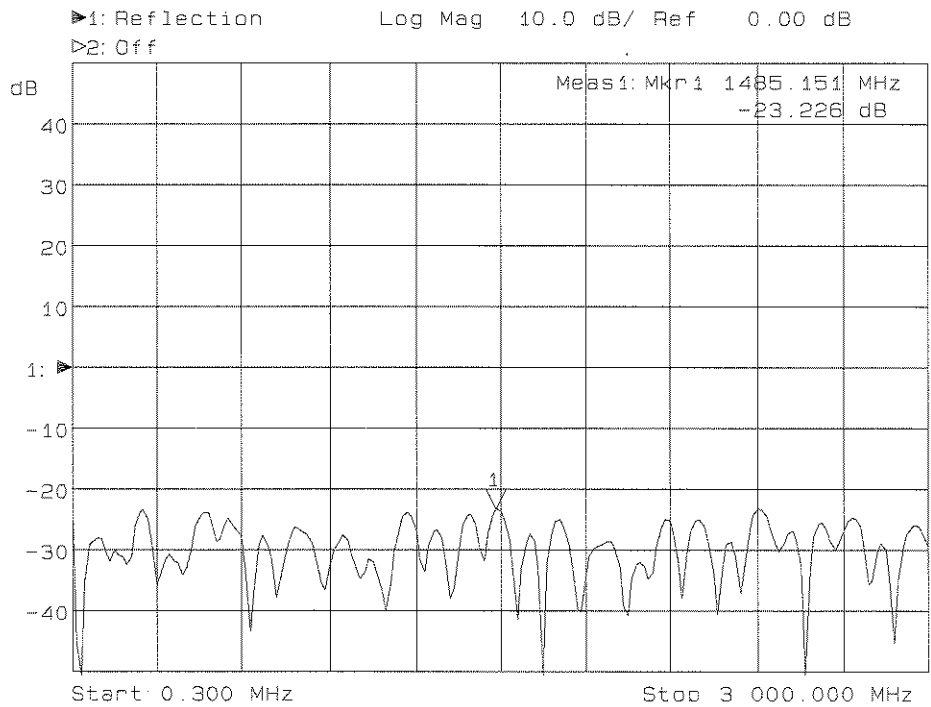


Figure 4-5. HP 8713C/14C Reflection Measurement with Through Cable

Press **MEAS1** **Detector Options** **Narrowband Internal** and select inputs **A**, **B** and **R** one at a time. Inputs B and R should be flat at about 0 dB. Input A should look somewhat similar to the reflection trace in Figure 4-4 (Figure 4-5 for HP 8713C/14C). If any of these fail, and assuming the source board is functioning properly, then the receiver is probably bad; replace the receiver. For the HP 8713C/14C, refer to the first paragraph in this section.

Now press **MEAS1** **Detector Options** **Broadband Internal** and select inputs **R*** and **B***. **R*** should be a fairly flat line at 0 dB. **B*** should be within ± 3 dB of a flat line at 0 dB. If any of these fail, and assuming the source board is functioning properly, then the receiver is probably bad (see paragraph below); replace the receiver.

If the **B*** input looks bad, then the **B*** detector diodes may be damaged. Sometimes this is accompanied by poor input match at the RF IN port. If this is the case, it is possible to replace these diodes separately, thus saving time and money. These diodes will generally be the first components to fail if the maximum input level is exceeded or if it is subjected to excessive ESD. Refer to "A5 Receiver Diode Replacement," below.

A5 Receiver Assembly Diode Replacement

Caution You must perform this procedure *only* at a static-safe workstation to prevent damage from electrostatic discharge (ESD). See Figure 4-1.

If the analyzer's RF IN port is overpowered by excessive RF or by ESD, the detector diodes may be damaged or shorted. If damaged by ESD, degradation may take place over a period of time. This will cause bad input match causing a through-line cable to no longer appear flat. In addition, selecting internal broadband detection on **B*** will show low or nonexistent power. **R*** should not be affected much and should still show a flat line at 0 dB if the RF OUT port is terminated in a correct load. It is also possible that the protection diodes could be damaged. Replacing just these diodes is fairly easy in the HP 8711C/12C/30A, but you must be experienced in replacing surface mount components. Replacing these diodes in the HP 8713C/14C is much more difficult. The parts are smaller, and great care must be exercised to ensure that all excess solder and flux is removed before attaching the new diodes. Do not attempt to replace diodes on the HP 8713C/14C unless the procedure is performed by a qualified technician who is very proficient with small surface mount components and all the proper equipment is available.

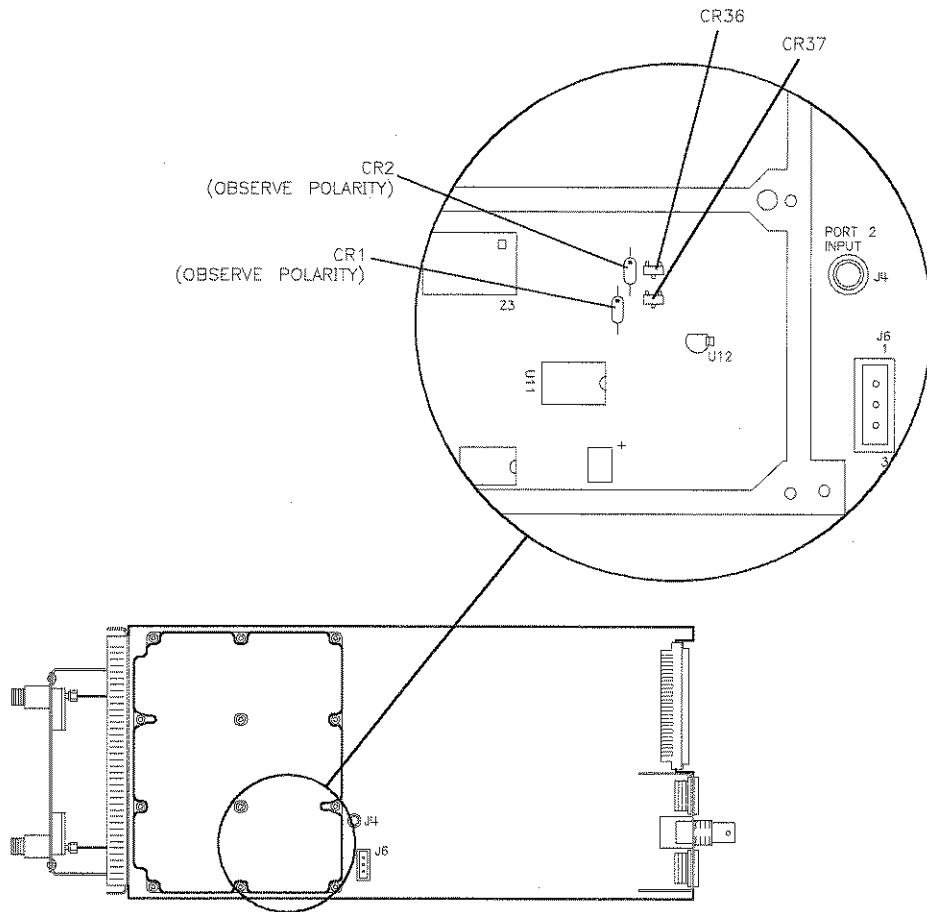
For the HP 8711C/12C/30A:

Detector diodes CR1, CR2 (HP part number 1900-0262)
Protection diodes CR36, CR37 (HP part number 1900-0096)

For the HP 8713C/14C:

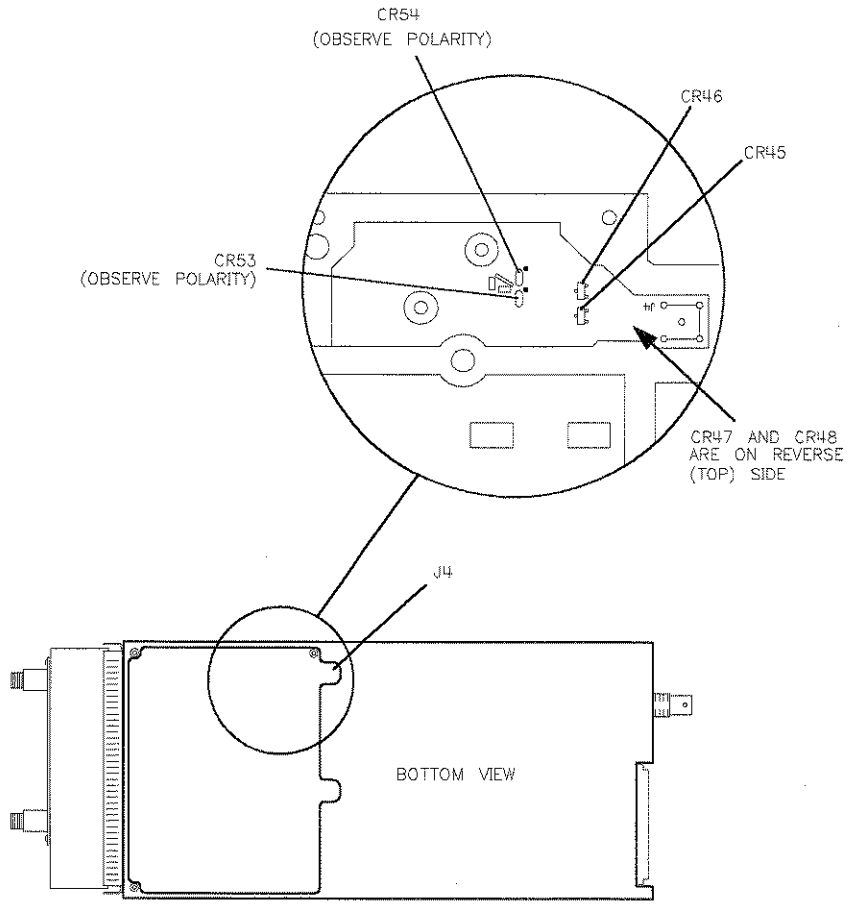
Detector diodes CR53, CR54 (HP part number 1900-0293)
Protection diodes CR45, CR46, CR47, and CR48 (HP part number 1900-0273)

When replacing the detector diodes, note the polarity of the existing parts and make sure the new ones are oriented the same! See Figure 4-6 (for HP 8711C/12C/30A) or Figure 4-7 (for HP 8713C/14C) for component location. You will have to remove the receiver shield to access these parts. On the HP 8713C/14C, CR47 and CR48 are mounted in the same location as CR45 and CR46, but on the opposite (top) side of the board. All adjustments listed for the A5 receiver assembly replacement should be performed after replacing the diodes. See Table 3-1, "Post Repair Procedures."



sd619b

Figure 4-6. HP 8711C/12C/30A A5CR1, CR2, CR36, and CR37 Component Locations



sd621b

Figure 4-7.
HP 8713C/14C A5CR45, CR46, CR47, CR48, CR53, and CR54 Component Locations

Trace at ± 200 dB

A flat trace at ± 200 dB indicates that the DSP is getting no data (or zero data). Make sure that the receiver and CPU boards are making proper connections to the backplane. The problem is most likely either in the ADCs on the receiver board, or the DSP circuitry on the CPU board. To determine the exact cause, test the DSP circuitry.

Testing the DSP circuitry:

Locate J702, an 8x3 jumper just above the DSP shield on the A2 CPU board assembly. Temporarily place the jumper in the "TEST" position as shown on the board. This replaces the receiver's ADC clock and data signals with a clock signal and fake data generated on the CPU board. The instrument should power up normally. Observe the CRT.

- If random noise data trace around 0 dB is observed, the CPU is functioning properly. Replace the A5 receiver assembly or go to "Detailed Receiver Troubleshooting" below.
- If no random noise data trace is observed around 0 dB: replace the A2 CPU.

Detailed Receiver Troubleshooting

To Confirm an ADC Problem when the Trace is at ± 200 dB:

Check for activity at the following pins on the receiver's backplane connector.

Pin Number	Signal
C27	ADC_DAT1
A27	ADC_CLK1
C26	ADC_DAT2
A26	ADC_CLK2

If these signals are not present, replace the receiver assembly.

Category 3 Failures - Inaccurate (but reasonably functional) Measurements

Troubleshooting Spurious Responses and Inaccurate Data

Spurious Signals

Perform the “Spurious Signals” test procedure in Chapter 1, “Performance Tests.” If the test fails, perform the “LO Power Correction” and “Fractional-N Spur Adjustment” procedures in “Adjustments,” Chapter 2. Then run the “Spurious Signals” test again.

To check RF at A4J4:

Connect a spectrum analyzer to the source RF output at A4J4. Set the network/tuner analyzer to a series of CW frequencies (e.g. 10 MHz, 500 MHz, 1 GHz in trigger-hold mode) and use the spectrum analyzer to check for harmonics and other spurs. The specification for harmonics is < -20 dBc below 1 MHz and < -30 dBc above 1 MHz. Non-harmonic spurious signals are not specified, but typical values are the same as for harmonics. Connect the spectrum analyzer to the receiver LO output at A4J1 and repeat.

If there are spurs in source RF output only OR receiver LO output only (not both):

Replace the A4 source assembly.

If there are spurs in source AND receiver outputs:

The problem may be due to spurs in the 10 MHz or fractional-N inputs to the A4 source assembly. Fractional-N spurs are not specified, so use the “Fractional-N Spur Adjustment” to improve the spur performance, but do not replace the fractional-N board unless these spurs cause the analyzer to fail its harmonics specifications.

To check 10 MHz at A3J3:

Use an oscilloscope to look for a 2V 10 MHz pulse. If a spectrum analyzer is used, a blocking capacitor should also be used in conjunction, since the 10 MHz output is DC coupled.

If the 10 MHz signal has spurs:

- Replace the A3 fractional-N/reference assembly.

Otherwise:

- Replace the A4 source assembly.

Spurs in the Data Trace

Some spurs are unavoidable in this network/tuner analyzer configuration. Most of the predictable spurs can be eliminated by either using either the Spur Avoid or the Dither option in the Spur Avoid menu. See your instrument's *User's Guide* for more information. The location (in MHz) of these spurs can be approximated by the formula:

$2340/N$ where $N = 2, 3, 4 \dots etc.$

Use a spectrum analyzer or power meter to check the output of the source at the RF OUT port to see if the spurs are in the RF output signal. If they are, go to "Troubleshooting Source Problems."

Perform the "Switched Gain Correction" adjustment in the "Adjustments" chapter of this guide. If the problem persists, replace the A5 receiver assembly.

Inaccurate Data

Check adapters, cables, and test port connectors for damage. Gauge the test port connectors. Ensure that the cables between the A4 source and A5 receiver assemblies are properly connected.

Perform the following receiver corrections found in the "Adjustments" chapter of this guide, as indicated by where the data problems occur. If the problem is in both narrowband and broadband mode, refer to the "Adjustments" chapter of this guide to determine the proper order for performing the adjustments. If the problem is only in broadband mode, the problem could be bad detector diodes, see "A5 Receiver Assembly Diode Replacement."

Narrowband mode problems:

Switched Gain Correction
B Amplitude Correction
Reflection Correction

Broadband mode problems:

Switched Gain Correction
External Detector Correction
R* Amplitude Correction
R* Frequency Response Correction
B* Amplitude Correction

If data seems to drift, check the uncorrected performance of the analyzer. Connect a good load to the RF OUT port. Press **PRESET** (see the cautions on pages 4-1 and 4-2) **MEAS1** **Reflection** **SYSTEM OPTIONS** **Service** **Meas Cal Options** **Meas Cal Off** **MARKER** **Marker Search** **Mkr→Max**. The marker value should be less than (below) -15 dB. Remove the load and connect a through cable between the RF OUT and RF IN ports. Press **Mkr→Max**. The marker value should be less than -12 dB. If these are bad, replace the A5 receiver assembly or see "A5 Receiver Assembly Diode Replacement" earlier in this chapter. Poor test port cables can also cause drift.

If data is okay with just a through cable connected (after preset), but bad in an application, check for the following:

Verify that you are looking at the expected measurement; especially check:

- Data vs. memory or data/memory display
- Channel 1 vs. channel 2 data trace
- Channel 1 vs. channel 2 y-axis labels (when both channels are on)
- “Rel” vs. “Abs” y-axis scale
- System bandwidth
- Narrowband vs. broadband mode
- If testing long cables, slow the sweep time down until no changes are seen.

Make sure the span is not too narrow. This may cause interpolation errors with the default or full-band calibrations. Perform a user-defined calibration at the desired frequency range.

Mismatch errors can cause inaccuracies up to a few tenths of a dB. This is usually noticeable as ripple in a low-loss transmission display and is typically more noticeable in an HP 8711C/12C/30A than in an HP 8713C/14C. Excessive ripple can indicate poor source or input match. Measure the match using the performance tests. If OK, try using attenuators or making an enhanced response calibration to improve match.

Receiver Power Problems

Check all cables and cable connections on the receiver board; tighten if necessary.

If the problem is caused by a power hole, try moving the cables to see if the power hole moves or disappears. If it does, the cable is probably defective.

If the analyzer has a step attenuator and the problem only occurs with the attenuator engaged (<0 dBm for the HP 8711C/12C/30A and <-5 dBm for the HP 8713C/14C), replace the step attenuator assembly. Otherwise, replace the A5 receiver assembly.

Category 4 Failures: Peripheral Device Problems

DIN Keyboard

If a DIN keyboard interface test failure was reported during power-up, there may be a problem with the +5V power supply for the DIN keyboard.

Verify that the keyboard is connected properly. (If necessary, use a DIN (f) to mini-DIN (m) adaptor.) Make sure that the keyboard is compatible with the analyzer. The analyzer should work with HP mini-DIN keyboards that are U.S. English versions, and most (but not all) IBM PC/AT compatible keyboards.

Connect the keyboard to a computer or another analyzer to see if it is functioning, or try using a different keyboard. If the keyboard works with other instruments, replace the CPU board.

RS-232 Printers and Plotters

If an RS-232 interface problem was reported during power-up (with no peripheral connected), there may be a problem with the RS-232 portion of the Super I/O chip, U607, or its clock, U606. Replace the CPU board.

Make sure the printer's or plotter's line power is switched ON, that it has paper and pens, that its pinch wheels are down, etc. Plotters should not be in VIEW mode. Verify that the RS-232 device has been selected as the hardcopy device by pressing **HARDCOPY** **Select Copy Port**. The first line on the CRT shows the current device selection. The second line shows the baud rate, parity, and handshake information. If any of this is incorrect, enter the correct information. Refer to the printer or plotter manual for proper parameters. Refer to your analyzer's *User's Guide* for more details on hardcopy options.

Try to make a print or plot from another instrument or a computer to confirm that the printer/plotter is working. If it is, replace the CPU board.

Centronics (Parallel) Printers and Plotters

If a Centronics interface problem is indicated during power-up (with no peripheral connected), there may be a problem with the Centronics interface portion of the Super I/O (U607). Replace the CPU board.

Make sure the printer's or plotter's line power is switched ON, that it has paper and pens, that its pinch wheels are down, and so forth. Plotters should not be in VIEW mode. Verify that the Centronics device has been selected as the hardcopy device by pressing **HARDCOPY** **Select Copy Port**. The first line on the CRT shows the current device selection. The second line should say "Centronics." If this is incorrect, enter the correct information. Refer to your analyzer's *User's Guide* for more details on hardcopy options.

If everything seems okay but you still cannot print or plot, remove the CPU board and check jumper J645, near the HP-IB and parallel connectors at the rear of the board. Make sure the jumper is in the "RUN" position instead of "TEST."

Try to make a print or plot from another instrument or a computer to confirm that the printer/plotter is working. If it is, replace the CPU board.

HP-IB Systems

If an HP-IB interface problem is indicated during power-up (with nothing connected to the HP-IB port), there may be a problem with the HP-IB controller chip (U524) or the interface chips (U525, U526). Replace the CPU board.

Check the analyzer's HP-IB functions with a known working peripheral such as a plotter, printer, or disk drive. Press **PRESET** **SYSTEM OPTIONS** **HP-IB System Controller** to allow the analyzer to control the peripheral. Check the HP-IB address on the peripheral, then set the analyzer to recognize this address by following the instructions in the next section.

HP-IB Problems with Printers or Plotters

For HP-IB printers or plotters, press **HARDCOPY** **Select Copy Port** and select the appropriate HP-IB device. The currently selected device is shown on the first line of the display, and for HP-IB devices, the HP-IB address is shown on the second line.

To change the address, press **Print/Plot Address** and enter the correct value (from 0 to 30).

Note The default HP-IB address expected by the analyzer for both printers and plotters is 5, but the factory default address of most printers is 1.

Make sure the printer or plotter has line power switched on, that it has paper and pens, that its pinch wheels are down, and so forth. Plotters should not be in VIEW mode. Press **Prior Menu Start** to do a print or plot. If the result is not a copy of the display (as selected by **Define Hardcopy**), suspect HP-IB problems in the analyzer.

General Checks for HP-IB Systems

If the analyzer does not respond to an external controller, verify that the analyzer is in talker/listener mode by pressing **SYSTEM OPTIONS** **HP-IB**. The analyzer cannot respond if it is in system-controller mode.

Make sure the controller is using the proper select code and addresses.

Be sure HP-IB cable length limits are not exceeded. See your analyzer's *User's Guide* for more detailed information.

Refer to the "HP-IB Programming" chapter of the *Programmer's Guide* to troubleshoot programming problems. Replace the CPU board if the analyzer appears to have an HP-IB problem.

LAN Troubleshooting (Option 1F7)

Problems with the LAN network can be difficult to solve. Software and protocol problems can make it difficult to determine if the analyzer's hardware is working properly or if there is some problem with the LAN or cabling. The purpose of this section is to determine if the analyzer's hardware is functioning properly. While the turn-on self-test verifies some LAN hardware functionality, it is limited to internal testing only. Incorrect IP addresses will prevent proper operation. Improper subnet masks may allow only one-way communication, while improper gateway addresses may exclude outside LAN access.

Ping Command

The analyzer has the built-in capability of performing a "ping" operation. Ping will request the analyzer to send a few bytes of information to a specific LAN device. That device will then signal the analyzer that it has received the information. The analyzer computes the approximate round trip time of the communication cycle and displays it. For a full test of two-way communications, a ping test should be performed in two directions. The first should be **from the analyzer** to the network. The second should be **from the network** to the analyzer. In the second case, any other network device capable of sending a ping command could be used, assuming it is connected to the same network. This could be a computer or even another analyzer.

How to Ping

Follow the steps below to verify proper LAN operation (assuming you have a functioning LAN). If no LAN is available, see "Testing Between Two Analyzers."

1. Make sure the IP address on the analyzer is set properly and that it is unique. Press **(SYSTEM OPTIONS) LAN LAN Port Setup**. The IP address of the analyzer should be displayed. If it reads 0.0.0.0, then it has not yet been programmed. To program the IP address, press **HP87xxx IP Address** and use the keypad to enter the new address.
2. Make sure the subnet mask is 0.0.0.0. If not, note the current setting and then set it to 0.0.0.0. This mask can be set by pressing **(SYSTEM OPTIONS) LAN LAN Port Setup Subnet Mask**.
3. Make sure the LAN is enabled by pressing **(SYSTEM OPTIONS) LAN LAN State ON**. If the state was previously OFF, then it is necessary to cycle the power again before the LAN will function.
4. Find and note the IP address of another working LAN device on the same network. Make sure this device is turned on, connected, and is functioning properly.
5. Press **(SYSTEM OPTIONS) LAN LAN Port Setup Diagnostic Utilities IP Address to Ping**. Enter the IP address of the other LAN device.
6. Press **Perform Ping**.
7. The analyzer will attempt 4 cycles of communications with the indicated LAN device. It will display the time it took to complete each cycle. Each cycle will time-out in one second if no communication is established and the message **Timeout waiting for reply** will be displayed. It is common for the first of the four cycles to time-out even though subsequent cycles pass. See below for an example output of a successful ping.

```
Resolving 15.4.43.255.  
Pinging 15.4.43.255.
```

```
64 bytes from 15.4.43.255: time=60 ms  
64 bytes from 15.4.43.255: time=50 ms  
64 bytes from 15.4.43.255: time=60 ms  
64 bytes from 15.4.43.255: time=50 ms  
Finished PING test.
```

This establishes one way communication from the analyzer to the network. Reverse communication should also be verified. Determining this, though, is dependent upon your network setup and software. Generally you will need to issue a ping command using the IP address of the analyzer to be tested. For example, using Windows 95 and while at a DOS prompt, type in ping xxx.xxx.xxx.xxx, then press **ENTER** (the letters x represents the IP address of the analyzer). If full communication can be established, then the computer display will show the cycle time for each of four cycle attempts (similar to that in step 7). Other software may behave slightly differently, but all should function basically the same.

If the analyzer will talk to the network, but the network will not talk to the analyzer, then the computer or device used from the network may have a subnet mask that excludes communication with the IP address chosen for the analyzer. Any subnet mask other than 0.0.0.0 will exclude operation from some addresses. Changing the subnet mask of a computer or other device should only be attempted by a qualified network administrator. Failure to communicate due to a subnet mask incompatibility does not indicate any failure of the analyzer.

If the analyzer fails to ping in either direction, and assuming the subnet masks are okay, then the fault must be isolated to the analyzer or to the network. Contact a qualified network administrator or refer to the *Option 1F7 User's Guide Supplement* for more troubleshooting information. You may also substitute a known working analyzer to help isolate the fault.

Testing Between Two Analyzers

The ability of the analyzer's LAN to function can be easily tested by connecting two analyzers together using a short length of cable with two RJ-45 connectors on each end. However, a "crossover" cable must be used in order for this to work. Some network hubs have the capability to make a crossover connection using two normal, or straight-through, cables. If this is available, use it; otherwise a crossover cable can be made as follows:

Constructing a Cross-over Cable

A crossover cable can be made from a normal LAN cable by connecting pin 1 from each connector to pin 3 of the other connector. Likewise pin 2 should be connected to pin 6.

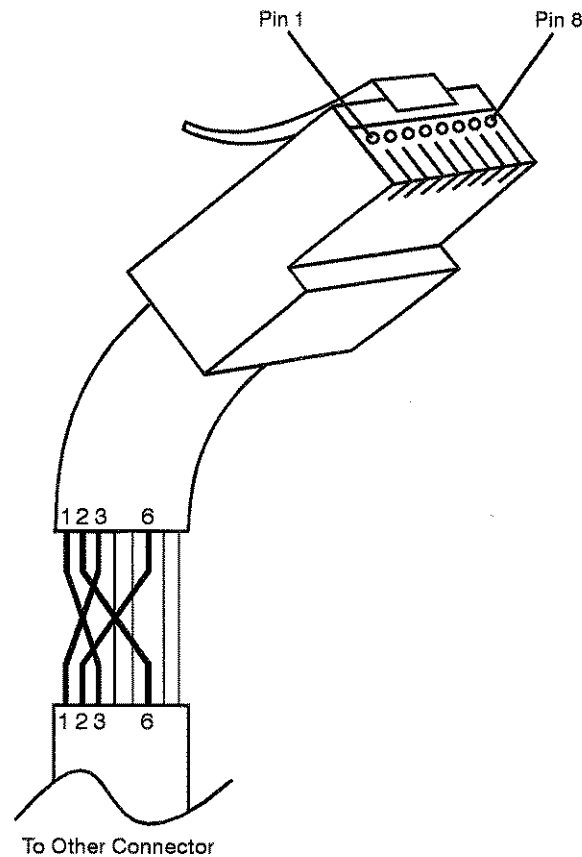
1. Strip away a few inches of the outside jacket insulation from the middle of a standard LAN cable that has an RJ-45 connector on each end.
2. Most, but not all, LAN cables use the following color coding:

Pin	Color
1 (transmit +)	White/orange
2 (transmit -)	Orange
3 (receive +)	White/green
4	Blue
5	White/blue
6 (receive -)	Green
7	White/brown
8	Brown

If your cable does not use this scheme, you will have to determine each conductor color with a continuity tester.

Constructing a Cross-over Cable (continued)

3. Cut the wires going to pins 1, 2, 3, and 6. Strip away a small amount of insulation from each of the eight cut ends.
 - a. Connect the wire from pin 1 on one side of the cable to the wire from pin 3 on the other side of the cable.
 - b. Connect the wire from pin 3 on one side of the cable to the wire from pin 1 on the other side of the cable.
 - c. Connect the wire from pin 2 on one side of the cable to the wire from pin 6 on the other side of the cable.
 - d. Connect the wire from pin 6 on one side of the cable to the wire from pin 2 on the other side of the cable.



sd623c

Figure 4-8. Construction of a Cross-over Cable

4. Insulate all exposed wires so they cannot short together. Label this as a crossover cable so it cannot be confused with a normal cable.

Set the IP addresses on two analyzers. The addresses can be set to anything, but they must be different. Make sure the subnet mask and gateway addresses are set to 0.0.0.0 and that the LAN is active (**LAN State ON**) on both analyzers. If necessary, refer to "How to Ping." Connect the two analyzers together using either a crossover cable or a crossover hub.

Now follow the steps in "How to Ping" in order to have the first analyzer ping the second analyzer. When done, repeat the procedure having the second analyzer ping the first. If both procedures function properly, the LAN circuitry on both analyzers is verified. If neither function, then the following could be wrong:

- One or both IP addresses could be wrong.
- One or both LAN states could be set to OFF.
- The crossover cable could be miswired.
- One or both analyzers could be defective.

If possible, eliminate the possibility of a defective analyzer by substitution of a known working unit. Once the analyzer has been proven to be working properly, concentration can be placed on the network itself.

Available HP LAN Cables

Cable	Description
HP 92268A	4-meter with attached 8-pin connectors
HP 92268B	8-meter with attached 8-pin connectors
HP 92268C	16-meter with attached 8-pin connectors
HP 92268D	32-meter with attached 8-pin connectors

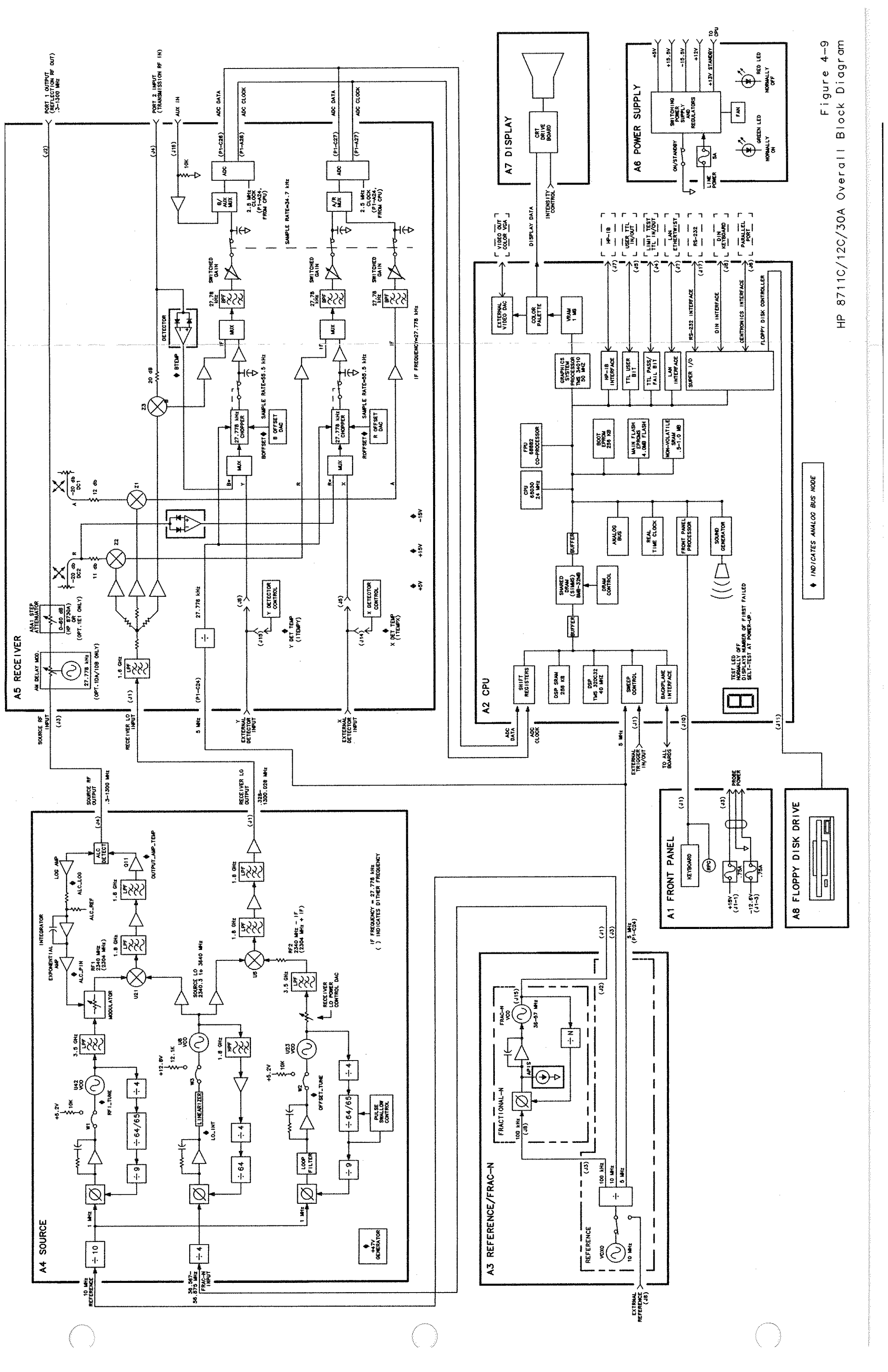


Figure 4-9
HP 8711C/12C/30A Overall Block Diagram



Service Related Menus

Introduction

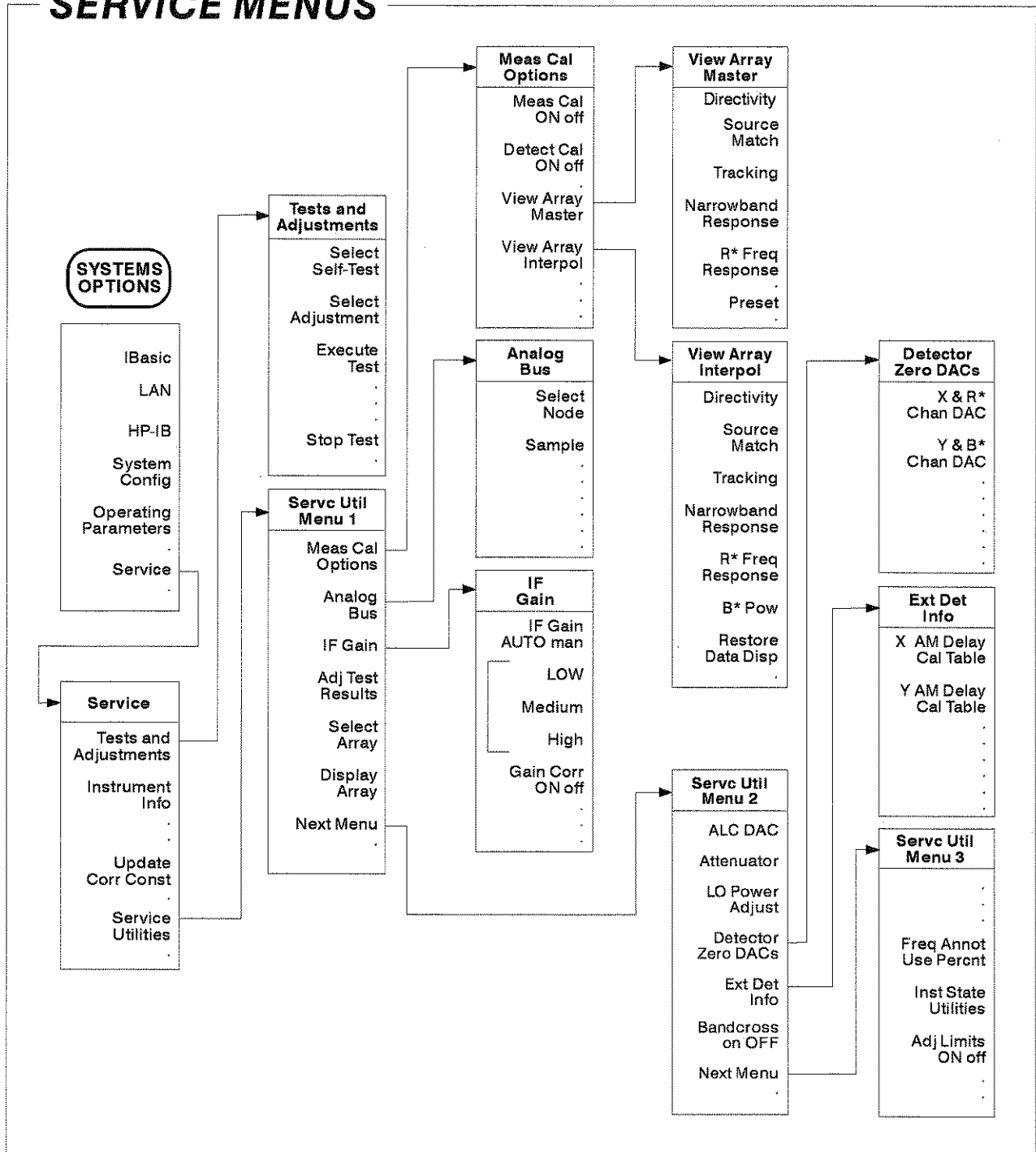
This chapter describes the functions of the service key menus. These menus are used to test, verify, adjust, control, and troubleshoot the analyzer. Internal diagnostics and adjustments include self-tests and adjustment tests. The service functions allow you to put the analyzer into different states to help with troubleshooting.

The service menu is accessed by pressing **SYSTEM OPTIONS** **Service**. Refer to Figure 5-1 for the service key menu maps.

Also included in this chapter are miscellaneous service functions and HP-IB commands. A procedure to clear nonvolatile memory (SRAM) is included in the "Miscellaneous Service Functions" section. Equivalent HP-IB commands for some of the service menu keystrokes are found in the "HP-IB Command Reference for Service" section.

Note The functions that appear under the **Service Utilities** menu are provided as a convenience for service personnel. When these features are used, *the response of the analyzer is not specified.*



SERVICE MENUS



sd620c

Figure 5-1. The Service Key Menus

Tests and Adjustments Menu

Select Self-Test: Allows you to select a diagnostic self-test. Tests may be selected by entering the number of the test with the keypad, or using the front-panel knob or / keys to scroll through the list of tests. The number, description, and test status of the currently selected test are shown. Possible test status notations are: "PASSED," "FAILED," and "NOT DONE." See "Self-tests" for a listing of all the tests and their descriptions.

If any test fails, refer to the "Troubleshooting and Block Diagrams" chapter.

Some tests are run only during power-up and the results of these tests will be displayed when the test is selected. However, these tests cannot be executed from this menu.

Select Adjustment: Allows you to select an adjustment. Adjustments are listed in numerical order. The adjustments can be performed in numerical order, but a more convenient order is shown in the "Adjustments" chapter. To select an adjustment, use the numeric keypad to enter the adjustment number, or use the front-panel knob or up/down arrow keys to scroll through the list. The number, description, and test status of the currently selected test are shown. Possible test status notations are: "PASSED," "FAILED" and "NOT DONE." See "Adjustments" for a listing of the adjustments and their descriptions.

Execute Test: Executes the selected test or adjustment.

Stop Test: This stops any test that is currently running.

Select Self-Test Menu

Internal tests can be used in troubleshooting the analyzer. Only the ones marked with an asterisk (*) in Table 5-1 are executed during the power-up sequence. The pass/fail status of these tests can be checked by scrolling through the list of self-tests. Also, if any test fails during power-up, the number of the first test to fail will be displayed on the "Test Results" LED which is visible through an opening in the analyzer's rear panel.

Note There are two LEDs to the left of the seven-segment "Test Results" LED on the rear panel of the analyzer. The red LED is on for self-tests 1 through 9, and the green LED is on for tests 10 through 19. If all tests pass, the green LED will be on, and the red LED and the seven-segment LED will be off.

Table 5-1. Analyzer Self-Tests

Test Number	Test Name	Description
*1	680x0 Processor	Executes internal tests of 68030 main CPU and 68882 coprocessor. Checks all registers. Checks logic, math, shift/rotate, and bit manipulation instructions.
*2	BootROM Checksum	Checksum of bootROM to verify bootROM firmware code.
*3	Main ROM Checksum	Checksum of flash EPROM to check main firmware.
*4	DRAM	Writes a series of test patterns to the DRAM and reads them back. Checks size of DRAM.
*5	(Not used)	
*6	340x0 GSP Processor	Not implemented.
*7	GSP Video	Not implemented.
8	(Not used)	This test number is not used because the test status LED powers up with the number "8" as the default. If there is a problem with the 68030 CPU, this "8" will remain displayed on the LED. Check power supplies. If good, then replace CPU board.
*9	320C32 Program SRAM	Checks the program SRAM used by the TMS 320C32 digital signal processor.
*10	320C32 DSP Processor	Tests the TMS 320C32 digital signal processor.
11	68030 and 320C32 Communication	Not implemented.
*12	Backplane Bus	Tests the ability of the 68030 to access the other boards through the backplane assembly.
*13	Non-volatile SRAM	Tests the integrity of the contents of battery-backed SRAM. Detects loss of power to the SRAM.
*14	LAN	Tests the operation of the LAN circuitry.
15	CPU Support Circuitry	Tests various circuits that are required for the main processor (68030) to operate. Tests timers and interrupts. Attempts to clear and disable all interrupts. Tests each interrupt signal to the 68030 to make sure that none of them are asserted.
16	Analog Bus	Tests the analog bus control circuitry and +5V and EPROM Vpp on the CPU board.
17	Real Time Clock	Tests the real time clock and tries to access registers on the chip.
*18	Front Panel Interface	Tests the front panel control processor. Tries to access registers on the chip.
*19	Floppy Disk Controller	Tests the 3.5" internal disk controller portion of the Super I/O chip. Tries to access registers on the chip. Writes commands to the chip, and verifies correct response. Also steps the floppy disk drive's head from track 0 to 9, and back to 0, to test the ability to find track 0.
*20	HP-IB Interface	Tests the HP-IB interface circuitry. Tries to access registers on the chip. Writes commands to the chip, and verifies correct response.
*21	RS-232 Interface	Tests the RS-232 portion of the Super I/O chip. Tries to access registers on the chip. Checks for missing clock input to the chip.
*22	DIN Keyboard Interface	Tests the DIN keyboard control portion of the Super I/O. Tries to access registers on the chip.
*23	Centronics Interface	Tests the Centronics interface portion of the Super I/O.

* Denotes a test run during power-up.

Table 5-1. Analyzer Self-Tests (continued)

Test Number	Test Name	Description
24	Front Panel Key	Prompts user to press any keys and displays information on the key pressed. Press PRESET three times to exit.
25	Erase Non-Volatile SRAM	Tests all locations of battery-backed SRAM by writing zeroes. This erases existing data.
26	Source PLL Lock	Not implemented.
27	X External Detector ID	Not implemented.
28	Y External Detector ID	Not implemented.
29	RS-232 Port	Prompts user to connect a printer or terminal, and then sends characters to the port.
30	Centronics Port	Prompts user to connect a printer, and then sends characters to the port.
31	DIN Keyboard Port	Prompts user to connect a DIN keyboard. Displays feedback on detected key presses.
32	HP-IB Port	Prompts user to disconnect HP-IB cable. Tests HP-IB hardware. Prompts user to connect a printer, and then sends characters to the port.
33	Test TTL Pass/Fail Bit Test	Prompts user to disconnect cable and then tests the hardware. Prompts user to ground the BNC and then tests the hardware.
34	Test TTL User Bit Test	Prompts user to disconnect cable and then tests the hardware. Prompts user to ground the BNC and then tests the hardware.

Select Adjustment Menu

Adjustments generate correction constants (CCs) which compensate for the hardware performance of the analyzer. Correction constants are stored in segmented flash EPROMs along with the firmware. The data is copied to RAM during power-up. Running an adjustment test modifies the data in RAM, but it does not alter the data in EPROM.

To store the new CCs into EPROM, refer to Chapter 8, "Correction Constants and Firmware." For details on how to perform all necessary adjustments, refer to Chapter 2, "Adjustments."

Table 5-2. Analyzer Adjustments

Adjustment Number	Title	Comments
100	Set Serial Number	Not implemented; serial numbers can only be set over HP-IB. Indicates "Not Done" if there is no serial number; indicates "Passed" when a serial number is resident.
101	LO Power Correction	Sets a DAC that varies the receiver LO output from the source. This ensures that the receiver mixers are getting the correct power level. Not applicable for the HP 8713C and HP 8714C.
102	Switched Gain Correction	Sets the low and high gain corrections for the receiver, which are needed for accuracy at low input power levels.
103	External Detector Gain Correction	The external X and Y detectors convert the detected power level into a voltage for the analyzer's receiver. In this adjustment, known voltages are applied to the detector input ports. The analyzer then generates correction constants for the receiver to use in interpreting the detector voltage level.
104	Source Power Correction	Source power correction. Generates power correction arrays for both the ALC and internal step attenuator (if installed).
105	B Amplitude Correction	B amplitude correction. Corrects B narrowband input so that it reads 0 dBm properly.
106	Transmission Correction	Transmission correction. Performs transmission cal to correct B/R to read 0 dB.
107	Reflection Correction	Reflection correction. Performs one-port cal to correct for narrowband reflection (A/R) measurements.
108	R* Amplitude Correction	R* amplitude correction. Generates absolute power lookup table for the R* input at 30 MHz.
109	R* Frequency Response Correction	R* frequency response correction. Generates frequency response correction for the broadband R* input.
110	B* Amplitude Correction	B* amplitude correction. Generates absolute power correction table for the broadband B* input at 30 MHz.
111	Auxiliary Input Correction	Auxiliary input correction. Corrects for offset and gain of the auxiliary input circuitry.
112	AM Delay Source Power Correction ¹	Corrects for loss in the AM delay circuitry.

1 Options 1DA and 1DB only

Results of several adjustments can viewed by selecting **Adj Tests Results**. While this information was designed more for factory use (and can vary considerably from unit to unit), the information regarding the date and time of the last adjustment performance/modification can be very useful. This is updated each time an adjustment is performed. However, this date will be lost if the correction constants are not stored to EEPROM before the analyzer's line power is cycled. Date format is as defined under the **Set Clock** menu.

Instrument Info

Displays a window with the following information:

- Analyzer model and firmware revision
- BootROM version
- Analyzer serial number
- Installed options
- System impedance
- Installed memory

Update Corr Const Menu

For a complete description of when and how to use these keys, refer to “Storing and Recalling Correction Constants” in Chapter 8. The following is a brief description.

Install CC From Disk: Loads permanent copy of correction constant data from disk to EPROM. This key combines the functions of **Load CC from Disk** and **Store CC to EPROM**.

Help Menu: Displays a banner which describes the keys of this menu.

Load CC From Disk: This copies the contents of the correction constant file from the internal floppy disk drive into RAM. You cannot select an alternate disk drive. It allows you to copy a partially modified set of data into RAM and then continue with the rest of the adjustments.

Store CC To Disk: At power-up, correction constants are copied from the flash EPROM to a RAM buffer. Any changes to the correction constants are made to the buffer only. Pressing this key creates a disk file that contains the correction constants from the buffer. This file is always written to the internal disk drive, regardless of the disk drive selected using the save/recall functions. The file will write over any existing file with the same name.

Store CC To EPROM: This will copy the current contents of the analyzer's CCs data that is contained in RAM to permanent storage in the EPROM.

Service Utilities Menu 1

This menu allows manual control of several sections of the A4 source and A5 receiver assemblies. This can be a helpful tool in troubleshooting these circuits.

Caution Most of these utilities *are for factory use only*. Modification of any values or settings *can result in improper operation or inaccurate results*. If in doubt as to the status of any settings, simply cycle the analyzer's line power. These settings will then be defaulted to the correct values.

Meas Cal Options: Goes to the Measurement Calibration Options menu. From this menu you can activate/deactivate the measurement calibrations and detector calibrations, as well as access the View Array Master and View Array Interpolate menus (described in detail later).

Analog Bus: Goes to the Analog Bus menu. (See following pages.)

IF Gain: FOR FACTORY USE ONLY.

Adj Test Results: Results of several adjustments can viewed by selecting this key. While this information is designed for factory use and can vary considerably from unit to unit, the date and time that the last adjustment was done or modified can be helpful information. This is updated each time an adjustment is performed. However, this date will be lost if the correction constants are not stored to EEPROM before power is cycled. Date format is as defined under the **Set Clock** menu.

Select Array, **Display Array**: These two selections are virtually identical and both display the same data. Information displayed is the stored correction for the indicated parameter. Assuming no adjustments have been performed since power was cycled, this represents the correction constants stored in EEPROM.

Viewing this data is useful in determining the measured raw performance of the analyzer, as well as the quality of the adjustment procedure used to store the correction constant data. Since this data represents the correction constants determined by performing the adjustments, it is also an indication of how the adjustments were performed. If any of these arrays show significant discontinuities, suspect either a hardware problem in the analyzer, or a hardware problem in the equipment used to perform the adjustment.

Data displayed is always the full band correction regardless of the current start/stop frequency settings. Absolute values are generally offset by a significant amount, so meaningful information can only be derived from the relative values. Table 5-4 lists all of the analyzer's thirty-nine correction arrays along with a brief description and typical value ranges.

Next Menu: Leads to the Service Utilities Menu 2 and Service Utilities Menu 3 which allow you to manually control the ALC DAC, step attenuator, and LO power.

Table 5-3. Analyzer Correction Constant Storage Arrays

Array Number	Description	Typical Correction	Comments
0	One-port Directivity	<10 dB (HP 8713C/14C) <-5 dB (HP 8711C/12C/30A)	This data is related to the raw directivity of the reflection port coupler (but does not equal it).
1	One-port Source Match	<-14 dB	This represents the source match of the reflection port.
2	One-port Tracking	<5 dB variation	This is related to the frequency response of the A (reflection port) input.
3	B Amplitude Response (narrowband)	<5 dB variation	This is related to the frequency response of the transmission port input (B input).
4	B/R Amplitude Response (narrowband)	<5 dB variation	This is related to the frequency response of the transmission port input (B input).
5 - 32	ALC Corrections for the 7 attenuator steps, 0 through 6, and assorted DAC values.	See Comments	These curves all represent the power correction tables generated mostly by adjustment #104. For each of the seven different attenuator settings, four different ALC settings are measured for flatness. From this, the ALC correction table is generated. Since each trace only has about 20 points, it may appear slightly discontinuous; this is normal. For units without an internal attenuator, the correction should be flat for any attenuation value other than zero. Higher ALC values represent higher power levels.
33	B* Amplitude Linearization (broadband)	See Comments	This is the correction curve for the absolute B* power measurement. It represents voltage (Y-axis) out vs. power in. It is normal for the last few horizontal divisions to be a flat line.
34	R* Amplitude Linearization	See Comments	As above, but for the R* diode.
35	B* Frequency Response	0	Not implemented. Always a flat line at 0.
36	R* Frequency Response	0 ±3 dB	Represents the frequency response of the R* diode. A downward spike at the beginning of the trace is normal.
37†	AM Delay Insertion Loss	0.5 to 2.5 dB	Represents the increased insertion loss of the AM delay modulator when in the ON position. An upward spike at the beginning of the trace is normal.
38	B* Diode Slope	See Comments	A typical trace will be flat for the first and last few divisions. This trace represents the change in slope of power-in vs. voltage out. The slope is constant (zero) for both the log and linear portions of the diode curve. Only the transitional area will show something other than a flat line.
39	R* Diode Slope	See Comments	As above but for the R* diode.

† Only used for analyzers with Option 1DA or 1DB.

Meas Cal Options Menu

The analyzer uses array of calibration data to improve the measurements made by the hardware. This menu allow you to disable the calibration, and view the calibration data arrays.

Meas Cal ON off: Determines whether cal arrays are used in processing data.

Meas Cal OFF will switch OFF both user-performed cals and the default factory cal. This includes transmission, reflection, and frequency response cal arrays (both broadband and narrowband). This function provides a way to examine the uncorrected performance of the hardware in the analyzer.

Detect Cal ON off: Allows you to switch OFF the power cal for both the internal and external broadband detectors.

View Array Master: Selects the master (uninterpolated) cal arrays from the master to be displayed. These are the cal arrays from the currently active calibration (default, full band, or user-defined).

View Array Interpol: Selects the interpolated cal arrays from the master to be displayed. These are the cal arrays from the currently active calibration (default, full band, or user-defined). If the frequency range of the analyzer has not been changed since the last calibration was performed, then this is the same as the master.

Analog Bus Menu

The analyzer has an analog bus that can be used to troubleshoot hardware problems on some of the boards in the analyzer. This is done by sampling analog bus nodes, which provide measurements at selected points on the boards. Nominal values for each node are provided in Table 5-5.

Select Node: Allows you to select an analog bus node to be measured. The currently selected node description and number are displayed. A node may be selected by using the keypad to enter the number, or by using the front-panel knob or the \uparrow/\downarrow keys to scroll through the list.

Sample: Triggers a data measurement of the selected analog bus node.

Table 5-4. Analog Bus Nodes

Number	Name	Description
A4 Source Assembly Nodes		
1	+47V (for HP 8711C/12C/30A) +22V (for HP 8713C/14C)	Source assembly power supply. Nominal value: +44V to +50V (HP 8711C/12C/30A) +20V to +24V (HP 8713C/14C)
2	VCO RF 1 Tune	VCO tuning voltage for the RF1 phase lock loop on the source board (RF1_TUNE on the schematic). Typical values are 7 to 11 volts. A value higher than about 11.5V may indicate a saturated op amp or bad VCO.
3	LO Integrator	Output of integrator in the source LO loop (LO_INT on the schematic). Voltage decreases as source frequency increases. For the 8711C/12C/30A the voltage decreases about 9 volts over the frequency range. For the HP 8713C/14C the voltage decreases about 7 volts over a .3 to 1910 MHz range; voltage shifts at about 1910 MHz.
4	VCO Offset Tune	VCO tuning voltage for the RF2 phase lock loop on the source board (OFFSET_TUNE on the schematic). Value varies with the source frequency setting. Normal values are 6 to 10 volts. A value higher than about 11.5V may indicate a saturated op amp.
5	Output Amp Temp	Shows the temperature at the output amplifier on the source board (OUTPUT_AMP_TEMP on the schematic). Normal values are 30 to 45 degrees Celsius. Not available on the HP 8713C/14C.
6	ALC Log Amp	ALC log amp output on the source board (ALC_LOG on the schematic). Value depends on the source power level. Normal values are -1.75 to -0.5 volts.
7	ALC PIN modulator	Voltage to ALC PIN modulator on the source board. This value increases as the source power increases. Normal values range from 3.0 to 10.5 volts.
A5 Receiver Assembly Nodes		
8	+5V on RCVR	+5V power supply on the receiver board. Normal values are 4.5 to 5.5 volts.
9	+15V on RCVR	+15V power supply on the receiver board. Normal values are 13.5 to 16.5 volts.
10	-15V on RCVR	-15V power supply on the receiver board. Normal values are -16.5 to -13.5 volts.
11	X Det Temperature	X detector temperature (ITEMPX on the receiver schematic). A typical value is 30 degrees Celsius when a detector is connected. If no detector is connected, the typical value is around 0° Celsius.
12	Y Det Temperature	Y detector temperature (ITEMPY on the receiver schematic). A typical value is 30° Celsius when a detector is connected. If no detector is connected, the typical value is around 0° Celsius.
13	B*/Y Autozero	Offset used for the B chopper on the receiver board (BOFFSET on the schematic). Typical values are -12 to +12 volts.
14	R*/X Autozero	Offset used for the R chopper on the receiver board (ROFFSET on the schematic). Typical values are -12 to +12 volts.
15	B* Detector Temp	Temperature of B* internal detector on the receiver board (BTEMP on the schematic). Typical values are 20 to 60° Celsius; this will depend on the ambient temperature. Not available on HP 8713C/14C.

Table 5-4. Analog Bus Nodes (continued)

Number	Name	Description
A2 CPU Assembly Nodes		
16	+5V on CPU	+5V power supply on the CPU board. Normal values are 4.5 to 5.5 volts.
17	+12V Flash Voltage	+12V Vpp supply for writing to the flash EPROM on the CPU board. This voltage is normally OFF, so the value should be less than 2.5V. The "on" voltage level is checked during the power-up tests, and an error message is displayed if the level is incorrect.
18	CPU Temp	Temperature sensor on CPU board (CPU_TEMP on the schematic). Typical values are 30 to 60° Celsius; this will depend partly on the ambient temperature.

Service Utilities Menu 2

ALC DAC: Allows manual adjustment of the Automatic Level Control (ALC) DAC, which controls the source output ("RF OUT" connector) power level. Disables the ALC power calibration until a power level is entered using the Power menu.

Attenuator: Allows manual control of the internal step attenuator, if one is installed.

LO Power Adjust: Allows manual adjustment of the DAC which controls the LO output power. The LO DAC is used by the HP 8711C/12C/30A receiver board only.

Detector Zero DACs: FOR FACTORY USE ONLY.

Ext Det Info: FOR FACTORY USE ONLY.

Bandcross ON off: FOR FACTORY USE ONLY.

Next Menu: Leads to the Service Utilities Menu 3.

Service Utilities Menu 3

Freq Annot Use Percnt: FOR SERVICE USE ONLY.

Inst State Utilities: FOR SERVICE USE ONLY.

Adj Limits ON off: FOR FACTORY USE ONLY.

View Array Master Menu/View Array Interpol Menu

These keys allow you to view the actual calibration data arrays that are currently in use. The arrays are copied into a memory trace for easy analysis. This allows you to scale them, and use markers to read out actual values.

Directivity: Displays the directivity cal array as a memory trace. This is related to the raw directivity of the analyzer but it does not equal it. The raw directivity is determined by dividing the tracking array below by this directivity array.

Source Match: Displays the source match cal array as a memory trace. This is the raw (or uncorrected A/R) source match of PORT 1.

Tracking: Displays the tracking (narrowband frequency response of coupler with 100% reflection) cal array as a memory trace.

Narrowband Response: Displays the narrowband transmission frequency response cal array as a memory trace.

R* Freq Response: Displays the broadband R* frequency response cal array as a memory trace.

Preset: Presets the analyzer.

Miscellaneous Service Functions

Clearing Nonvolatile Memory (SRAM)

This is also referred to as “zeroing” the nonvolatile SRAM, because the procedure causes the analyzer to write zeroes into the nonvolatile SRAM locations in memory. Note that this will erase any files saved to internal memory (NON-VOL RAM disk). This will *not* affect correction constants.

- Cycle the the analyzer’s power.
- After about 8 seconds, the analyzer will emit a double beep. Immediately after this double beep, press **PRESET** several times.
- The analyzer will pause after performing the CPU main self-tests and ask if you want to zero the SRAM. (Note the caution message!) Answer YES by pressing the **BEGIN** key. Press softkey #8 (bottom softkey) if you want to continue without clearing the memory.

HP-IB Command Reference for Service

Some of the service menu keys have equivalent remote HP-IB commands. The analyzer uses the SCPI programming language. For more information about SCPI and HP-IB, refer to the "HP-IB Programming" section of the *Programming Guide*. Service-related SCPI commands are listed in the following sections.

Syntax Summary

The following conventions are used when SCPI commands are being described:

- Angle brackets (< >) are used to enclose required parameters within a command or query. The definition of the variable is usually explained in the accompanying text.
- Square brackets ([]) are used to enclose implied or optional parameters within a command or query.
- UPPER/lower case characters are used to indicate the short form (upper-case) of a given mnemonic. The remaining (lower-case) letters are the rest of the long form mnemonic. Either the short form or the long form may be used.

Softkey SCPI Commands

This section lists the service menu keys in the order they appear on the menu map. See Figure 5-1. Each softkey is shown with its corresponding short-form SCPI command.

Some SCPI commands do not correspond directly to a softkey. These are listed in the alphabetical command summary in Table 5-7, which also lists the long form of each SCPI command.

Table 5-5. Softkey SCPI Commands

Keystrokes	SCPI Command
Tests and Adjustments Menu	
Select Self-Test	TEST:SEL <num>
Select Adjustment	TEST:SEL <num>
Execute Test	TEST:STAT RUN
Stop Test	TEST:STAT STOP
Meas Cal Options Menu	
Meas Cal ON off	SENS[1 2]:CORR[:STAT] <ON 1 OFF 0>
Update Corr Const Menu	
Store CC to Disk	DIAG:CCON:STOR:DISK
Store CC to EPROM	DIAG:CCON:STOR:EEPR
Load CC from Disk	DIAG:CCON:LOAD

Alphabetical SCPI Command Summary

This section contains the service-related HP-IB mnemonics recognized by the analyzer with a short description of each command. All commands have a query form unless specified in the "Form" column as command only or query only. To change a command into a query, add a "?".

The "Form" column also gives the parameter type returned by the analyzer in response to a query. NR1 (integers), NR2 (floating point numbers with explicit decimal point), and NR3 (floating point number in scientific notation) refer to different types of numeric data. CHAR (character data) and STRING (string data, enclosed in quotes) are also used to describe response types. These parameter types are described in the "SCPI Command Summary" section in the *Programmer's Guide*.

Table 5-6. Alphabetical SCPI Command Summary

Command	Form	Description
DIAGnostic:BAANDcross [:STATe] <OFF 0 ON 1>	NR1	(HP 8713C/14C Only) Turns bandswitching on or off.
DIAGnostic:CCONstants:COPI	Command	Copy correction constants from EPROM to RAM.
DIAGnostic:CCONstants:DEFaults	Command	Restore the default correction constants to EPROM and RAM.
DIAGnostic:CCONstants:ERASe: EEPRom	Command	Erase EPROM.
DIAGnostic:CCONstants:LOAD	Command	Load correction constants from internal disk drive.
DIAGnostic:CCONstants:INSTalled?	Query only NR1	Query if correction constants are installed. Returns a "1" if true, and a "0" if false.
DIAGnostic:CCONstants:STORE:DISK	Command	Store correction constant data to a file on the internal disk drive.
DIAGnostic:CCONstants:STORE:EEPRom	Command	Store correction constant data from the RAM buffer into flash EPROM.
DIAGnostic:CPU:MEMory[:WORD]<addr num> <data num>	NR1	Write a 16-bit data value to a 68030 address. Query returns an integer with the 16-bit value at the selected address.
DIAGnostic:SNUMber <string>	STRING	Store a serial number into memory. The string must be 10 characters long. The query form returns the current serial number.
*IDN?	Query STRING	Return a string that uniquely identifies the analyzer, including model number, serial number, and firmware revision.
*OPT?	Query STRING	Return a string identifying the installed options, in the form "1E1, 1C2, etc . . ."
SENSe[1 2]:CORRection[:STATe] <ON 1 OFF 0>	NR1	Switch measurement calibration ON or OFF.
TEST:RESult?	Query CHAR	Query the result of the selected adjustment or self-test. Response will be NULL PASS FAIL.
TEST:SELEct <num>	NR1	Select the adjustment or self-test to execute.
TEST:STATe <string>	CHAR	Select the state of the active adjustment or self-test. Choose from RUN CONTInue STOP. Query response will be NULL PAUS DONE.
TEST:VALue <num>	NR1	Set or query a value for an adjustment or self-test.
*TST?	Query NR1	Returns the result of a complete self test. An ASCII 0 (zero) indicates no failures found. Any other character indicates a failure.

Theory of Operation

Introduction

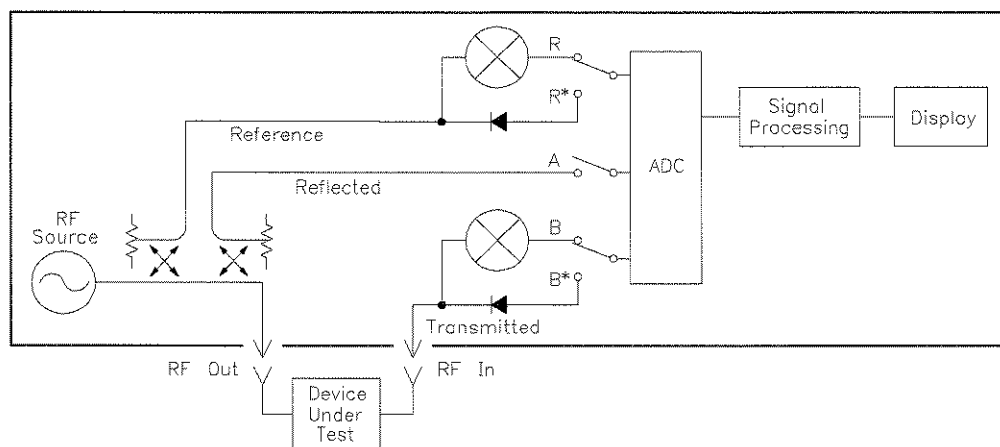
This theory of operation begins with a general description of the operation of a network/tuner analyzer system. This is followed by more detailed operating theory for the analyzer in particular, divided into functional groups. The operation of each group is described briefly, to the assembly level only. Detailed component-level circuit theory is not provided here.

Simplified block diagrams illustrate the operation of each functional group. A more detailed overall block diagram is provided at the end of the "Troubleshooting and Block Diagrams" chapter.

System Theory

A network/tuner analyzer system consists of a source, signal separation devices, a receiver, and a display. The analyzer integrates a synthesized RF source with built-in couplers for signal separation, a combination narrowband and broadband receiver, and a display. Figure 6-1 shows a simplified system block diagram for the analyzer.

In the analyzer, the A3 fractional-N/reference and A4 source assemblies provide the synthesized RF source output. The A5 receiver assembly separates the signals into reference, reflected, and transmitted signals. These inputs are processed as either narrowband or broadband signals. They are then multiplexed into ADCs (analog to digital converters) where they are converted into digital signals. The digital data is processed by the A2 CPU assembly and sent to the A7 display.



sd62b

Figure 6-1. Simplified Analyzer System Block Diagram

Analyzer Functional Group

Each functional group consists of one or more assemblies that perform one of the basic instrument functions. These groups are the power supply, digital control, source, and receiver.

Power Supply Theory

The power supply group consists of the A6 power supply assembly. This switching power supply provides regulated DC voltages to power all assemblies in the analyzer through a connection to the backplane. The backplane serves as a motherboard to provide power, data, and control signal connections to the various assemblies.

A voltage selector switch, accessible at the rear panel, adapts the analyzer to local line voltages of approximately 115V or 220V nominal. Refer to "Installing the Analyzer" in your analyzer's *User's Guide* for line voltage tolerances and other power considerations.

The power supply has a standby state instead of an off state when the AC power is connected. In standby, the A6 assembly provides a standby supply, measuring between +12V and +13V, to power the non-volatile SRAM on the CPU board. (A battery provides power to the non-volatile SRAM when the instrument is disconnected from AC power.) The power supply switches on when the on/standby switch is grounded. In the on state, the power supply provides the following supplies to the instrument: +5V, +15V, -15V, and +12V.

Two diagnostic LEDs are visible from the rear panel. The green LED is on in normal operation. It is off when the line power is absent or set too low, or if the line fuse has blown. The red LED is on in standby but off during normal operation. It will blink to indicate a power supply shutdown. Refer to the "Troubleshooting and Block Diagrams" chapter for more details.

Digital Control Theory

This group includes the A1 front panel, A2 CPU, A7 display, and A8 3.5" internal disk drive assemblies.

A1 Front Panel Assembly

The A1 front panel assembly allows the user to control the analyzer. It includes a keyboard and a front panel knob (RPG). A probe power jack that supplies +15V and -12.6V is available for use with RF probes and other accessories. Fuses for these supplies are on the back of the A1 front panel assembly PC board.

A2 CPU Assembly

The A2 CPU assembly provides most of the control, interface, and data processing functions in the analyzer. It contains several microprocessors and many different types of memory, as shown on the analyzer's overall block diagram.

The main CPU is an MC 68030 microprocessor which is augmented by a floating point coprocessor (68882). It is the master controller for the analyzer, including the other dedicated processors on the CPU assembly. When the analyzer is the system controller in an HP-IB system, it also controls peripheral devices through the HP-IB interface.

The TMS 320C32 digital signal processor (DSP) receives the digital data from the A5 receiver assembly and performs data processing functions such as digital filtering, averaging, and applying error correction. It has some dedicated SRAM for running its firmware, and it also uses some shared DRAM and SRAM which is used to transfer data with the CPU.

The TMS 34010 graphics system processor (GSP) is responsible for converting data from the CPU into video signals to drive the A7 display assembly. It also produces an external video output which is accessible from the rear panel and is VGA compatible.

A number of processors on the CPU assembly allow the analyzer to interface with the outside world. The front panel processor handles inputs from the front panel keyboard and RPG.

The super I/O processor is used to provide the following interfaces:

- The *Floppy disk controller* controls the 3.5" internal disk drive.
- The *DIN keyboard interface* allows you to connect an external keyboard, which is very useful when writing programs with IBASIC.
- The *Centronics interface* allows the analyzer to control printers and plotters with a parallel interface.
- The *RS-232 interface* allows the analyzer to control printers and plotters with a serial interface.
- The *LAN interface* allows a network interconnect for networking test stations (instruments) to a server. The LAN interface will not function unless you have Option 1F7.

The HP-IB interface allows the analyzer to be a system controller or talker/listener on an HP-IB bus. In addition, there are two TTL outputs (user bit and limit test pass/fail bit) that can be accessed. There is also an external trigger input for sweep control.

The firmware for the analyzer is stored in two places. A bootROM contains low-level firmware that allows the analyzer to run some power-on self-tests, and perform functions such as loading firmware from a disk. The main firmware, which includes the analyzer's operating system and additional self-tests, is stored in segmented EPROMs, along with the correction constant data for the instrument. Both the bootROM and the main EPROMs are flash EPROMs. They can be erased and reprogrammed without removing the CPU assembly from the analyzer. Because the main EPROMs are segmented, upgrading firmware or correction constants can be done independently.

The non-volatile SRAM is used to store instrument-state and peripheral-state settings. It is also used as a RAM disk by the save/recall functions, which refer to the non-volatile SRAM as "NON-VOL RAM DISK." This non-volatile SRAM is powered by a +12V to +13V supply when the analyzer is in standby, and by a battery when the AC power is disconnected.

The CPU assembly also contains SIMM DRAM. This SIMM DRAM is used for volatile storage of data and for use by IBASIC programs. The CPU board only accepts one SIMM (8 MB of SIMM memory is installed at the factory).

A7 Display Assembly

The A7 display includes a monochrome 20.8-cm (9-inch) CRT and a matching driver board. Video signals are produced by the A2 CPU assembly and sent to the A7 assembly for display on the CRT. An intensity adjustment is accessible from the front panel. This is a VGA compatible display with a horizontal scan rate of 31.41 kHz.

A8 3.5" Internal Disk Drive Assembly

The A8 3.5" internal disk drive is referred to by the analyzer as the internal disk. It accepts double density or high density 3.5-inch disks. It can read from either LIF or DOS format disks, but can only write to DOS disks. The analyzer can only format disks in DOS format (the LIF format is not supported).

Source Theory

The source group consists of the A3 fractional-N/reference assembly and the A4 source assembly.

A3 Fractional-N/Reference Assembly

The A3 fractional-N/reference assembly consists of two boards connected together. The reference board generates the various reference signals used in the analyzer, while the fractional-N assembly generates a 30 to 60 MHz synthesized signal for use in the A4 source assembly.

The reference board uses either the internal 10 MHz crystal oscillator or an external 10 MHz reference signal to generate three reference signals. The 100 kHz signal is used in the fractional-N VCO phase lock loop. The 10 MHz signal is used by the A4 source assembly. A 5 MHz signal goes to the backplane, where it is routed to the A2 CPU and A5 receiver assemblies for use in signal processing.

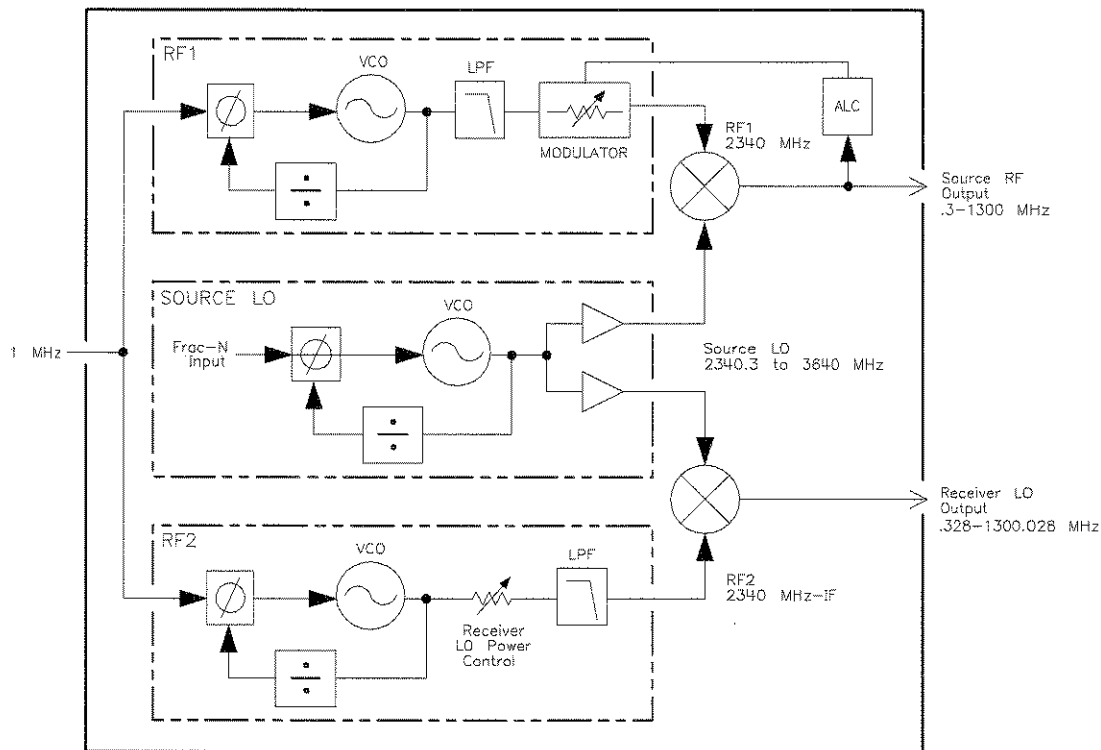
The fractional-N board is the synthesizer for the source. The 30 to 60 MHz fractional-N VCO output is used for phase-locking the source LO signal, which in turn is used to generate the source RF output.

A4 Source Assembly

The source assembly provides two output signals. One signal, which covers the 0.3 to 1300 (or 3000 MHz for HP 8713C/14C) range, is the main source RF output signal. It goes to the A5 receiver assembly and through an optional AM delay modulator and/or step attenuator before it gets to the RF OUT (REFLECTION) port on the front panel. The other signal serves as the internal receiver LO for downconverting narrowband signals. The two signals are independently phase-locked, and they are separated from one another by the receiver IF (intermediate frequency) of 27.778 kHz.

Note	The following paragraphs describe an HP 8711C/12C/30A. The HP 8713C/14C is very similar. See the section "Differences Between the HP 8711C/12C/30A and HP 8713C/14C (1300 MHz vs 3000 MHz)" at the end of this chapter.
-------------	---

These two signals are generated from 3 phase-locked VCOs, as shown in Figure 6-2. In normal operation, the RF1 VCO is phase-locked to a 1 MHz reference signal to produce a stationary 2340 MHz signal. (The 1 MHz signal is derived from the 10 MHz output of the A3 fractional-N/reference assembly.) Similarly, the RF2 VCO is also phase locked to the 1 MHz reference to produce a stationary signal that is offset from RF1 by the receiver IF of 27.778 kHz. The source LO VCO supplies the LO drive for the two source mixers. It covers a 2340.3 to 3640 MHz range. It is phase-locked to a fractional-N sweeping synthesizer (on the A3 fractional-N/reference assembly). As this phase lock loop sweeps, the main source RF output is generated as the mixing product of the 2340 MHz RF1 signal and the sweeping 2340.3 to 3640 MHz source LO signal. Similarly, the receiver LO output is generated by the RF2 signal mixing with the sweeping source LO, resulting in a signal that is offset from the source RF output by the receiver IF.



s d6.3b

Figure 6-2. Simplified HP 8711C/12C/30A A4 Source Block Diagram

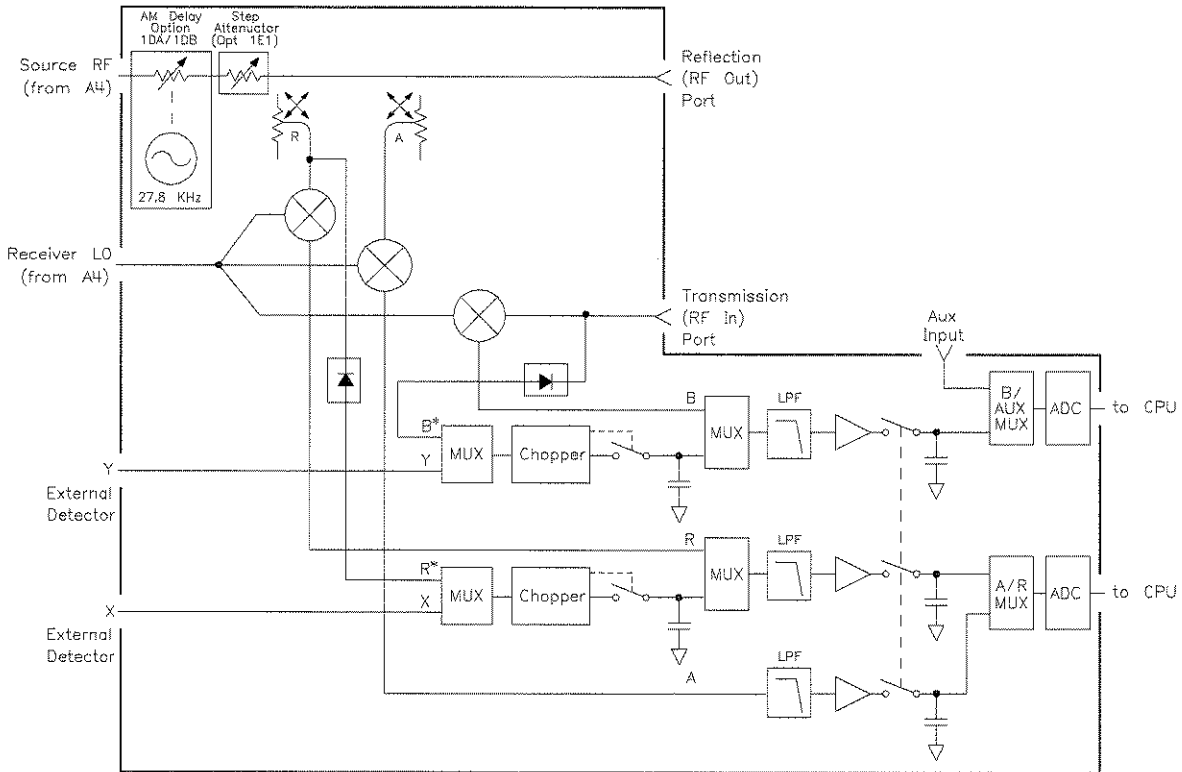
Power level control of the source RF output is achieved by using a coupler/detector on the source RF output signal, which controls a modulator on the RF1 signal. Digital correction is applied to the RF2 signal to control the receiver LO power level. Both power levels can be adjusted by running the appropriate service tests. See the "Adjustments" chapter of this guide for more details. The source also has a "dither" mode for spur avoidance. When dither is on, the RF1 frequency changes from 2340 MHz to 2304 MHz, and the RF2 frequency changes to (2304 MHz + IF) to maintain the 27.778 kHz offset between these two signals. Because of these changes, the mixing products from the two source mixers will be at different frequencies, resulting in spurs that have shifted in frequency when compared to the dither off state. This is used in two ways. You can select **Dither ON** (under the SOURCE **MENU** key), which causes the analyzer to shift the RF1 and RF2 frequencies to the "dither on" values for all subsequent sweeps, until dither is switched OFF again. This is useful if you are only interested in a narrow frequency span. Switching dither ON successfully moves a spur out of the span of interest. You can also select **Spur Avoid ON**. In this case, the analyzer will approach a known spur frequency, switch dither ON until it sweeps past the spur, then switch dither OFF again until it gets to the next spur. This method is more suitable for wider frequency spans, but it slows down the sweep because of the time required to switch the dither function ON and OFF.

Receiver Theory

The A5 receiver assembly is responsible for separating and measuring the RF signals and converting these signals into digital data for further processing by the A2 CPU. Figure 6-3 shows a simplified block diagram of the HP 8711C/12C/30A receiver assembly.

Note

The following paragraphs describe an HP 8711C/12C/30A. The HP 8713C/14C are very similar. See the section "Differences Between the HP 8711C/12C/30A and HP 8713C/14C (1300 MHz vs 3000 MHz)" at the end of this chapter.



sd64b

Figure 6-3. Simplified Receiver Block Diagram

The source RF output from the A4 source assembly is input into the receiver. The signal passes through an optional step attenuator (standard for the HP 8730A) and/or AM delay modulator, then through two directional couplers. The first coupler measures the source output signal and uses this as a reference (R input). The source output signal travels through the through arm of the second coupler. The coupled arm of the second coupler is used in reflection measurements to sample the signal reflected from the REFLECTION test port. This reflected signal is referred to as the A input. The source output signal then goes out the REFLECTION port, propagates through the device under test, and enters the receiver again at the TRANSMISSION or RF IN port. The signal from this port is the B input.

The R, A, and B inputs can be processed in one of two ways. For narrowband measurements, the RF input signal is downconverted to a lower IF frequency of 27.778 kHz using mixers. These mixers are driven by the receiver LO signal from the A4 source assembly. After the signal is downconverted, it is filtered, amplified, and sent to the analog to digital converters (ADCs).

For broadband measurements, the RF input is converted to a DC signal with a diode detector. This DC signal is chopped at a 27.778 kHz rate and then sampled at a rate of 55.5 kHz. This signal is then filtered, amplified, and sent to the ADCs. The analyzer has two internal diode detectors, B* and R*. The A input does not have a broadband detector.

The analyzer can also use one or two external broadband detectors. These detectors convert the measured RF signal into DC signals, which are referred to as the X and Y inputs. The DC inputs are multiplexed into the same choppers used for the B* and R* detectors. The B* and Y inputs share a chopper, and so do R* and X. The signal then follows the same path as the one used for the internal broadband detection.

There is also a rear panel connector for an auxiliary input. This input allows the measurement of DC or low frequency AC signals from -10 to +10 volts.

The analyzer uses adjustment tests to generate correction constant data for all of the internal narrowband and broadband inputs. For the external detectors, the correction constants are stored in an EEPROM in the detector. This data can be read by the receiver to correct the data for the X and Y inputs. There are two 16-bit ADCs on the receiver assembly. The two ADCs are multiplexed between the various narrowband/broadband, internal/external signals. The ADCs require a 2.5 MHz clock signal from the CPU board. They convert the 27.778 kHz signal into digital data, which is then sent to the digital signal processor (DSP) on the A2 CPU board.

Differences Between the HP 8711C/12C/30A and HP 8713C/14C (1300 MHz vs 3000 MHz)

The HP 8713C/14C analyzers are very similar to the HP 8711C/12C/30A. They all share the same front panel, CPU, fractional-N/reference, power supply, display, and firmware. The two major differences are in the source and receiver. Refer to the block diagram of the HP 8713C/14C for an overall view of these two assemblies.

As in the HP 8711C/12C/30A, the source outputs both RF and LO signals that are separated by 27.778 kHz, however the methods used to generate these signals are slightly different. In the receiver, the reflection port coupler has changed significantly. It is a separate dual-directional coupler microcircuit which provides much better accuracy and stability than can be achieved using on-board separate components at 3000 MHz. This also allows the same receiver board to be used for both 50Ω and 75Ω instruments. Only the coupler assembly and a jumper setting are different between the two versions.

HP 8713C/14C A4 Source Assembly

The A4 source is designed with four different frequency bands:

- Band 1 = 0.3-1910 MHz
- Band 2 = 1910-2310 MHz
- Band 3 = 2310-2620 MHz
- Band 4 = 2620-3000 MHz

The differences between bands 2, 3, and 4 are only filter changes. Different filters are inserted or removed in the RF and LO signals to minimize spurs. The major change is between bands 1 and 2.

In band 1, below 1.91 GHz, the source is very similar that of the HP 8711C/12C/30A. However, the fractional-N input is first divided by 7 instead of 4, the source LO is divided by 512 instead of 256 and the RF1 signal is 2339.777778 instead of 2340 MHz. This gives a Fractional-N to RF output frequency formula of:

$$RF_{out} = (Fractional-N \times 512/7) - 2339.777778$$

(all frequencies in MHz)

This is very similar to the HP 8711C/12C/30A formula:

$$RF_{out} = (Fractional-N \times 256/4) - 2340$$

The HP 8713C/14C fractional-N input frequency will vary from about 32 to 58 MHz as opposed to the HP 8711C/12C/30A variation of about 36.6 to 57 MHz. In both cases the pulse swallow circuitry maintains the RF2 signal to be 27.778 kHz below the RF1 signal so that the final LO will be 27.778 kHz above the RF, thus generating the proper IF.

In bands 2 through 4, above 1.91 GHz, the RF1 and RF2 signals are divided by 2 to provide an RF1 frequency of 1169.777778 MHz (the ratio is not exactly 1/2 due to differences in the way the pulse swallow circuitry works). The formula for RF output frequency now becomes:

$$RF_{out} = (Fractional-N \times 512/7) - 1169.777778$$

The Fractional-N signal now varies from about 42 to 57 MHz to provide the 1910 to 3000 MHz RF output in bands 2 through 4. This means that during a full band sweep of .3 to 3 GHz, the fractional-N output will first sweep from about 32 to 58 MHz, then reset to 42 MHz, and sweep again up to 57 MHz.

A5 Receiver Assembly

Besides the above mentioned coupler change, there is little functional difference between the HP 8711C/12C/30A receiver and the HP 8713C/14C receiver assemblies. The most significant differences are listed below:

- An RF limiter is installed to protect the source from excessive power and ESD.
- The coupler is now an external microcircuit with a 16 dB coupling factor.
- Some of the filters have different cutoff/bandpass frequencies.
- Some attenuators have different values.
- A leveling loop is used to maintain proper LO power to the 3 mixers. This eliminates the need for the LO power adjustment (adjustment #101).

Of course, all input components have been modified to perform at 3 GHz, but from a functional point of view, little else is changed from the HP 8711C/12C/30A receiver board. Refer to the block diagrams in Chapter 4.

Parts List

Analyzer Hardware

The analyzer has been designed to have a minimal number of different screw types. Most applications require one of only two screw types. All are TORX screws requiring a TORX driver (PN = pan head; FL = flat head). Listed below are all the required screws. For clarity, these are not listed on the following parts lists for each assembly.

Analyzer Hardware

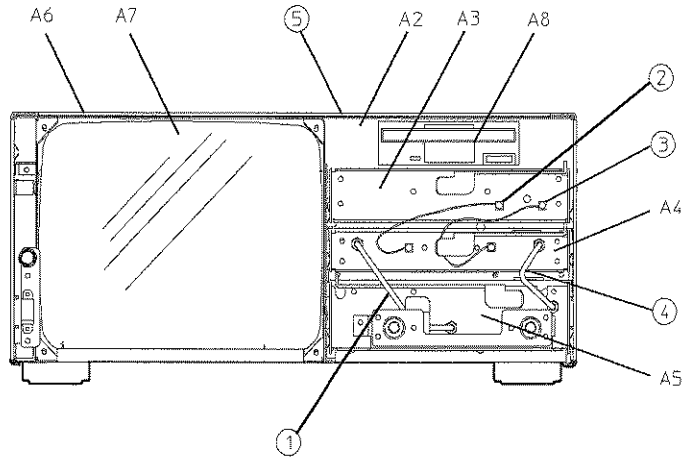
Part Number	Description	Where Used (Quantity)	Torque	Driver
0515-0430	M3 x 6 PN	Most places; all sheet metal	7 in-lbs	T10
0515-0664	M3 x 12 PN	All casting shields	7 in-lbs	T10
0515-1946	M3 x 6 FL	Handle nut plate screws (4)	7 in-lbs	T10
0515-0943	M4 x 12 FL	Handle screws (8)	21 in-lbs	T15
0515-0658	M2 x 6 PN	Power switch (2)	3 in-lbs	T6
0515-0374	M3 x 10 PN	Connector, Display Ribbon Cable (2)	7 in-lbs	T10

Note: All semi-rigid coax cables should be tightened to 10 in-lbs.

Specific Assembly and Cable Locations

The following tables and figures describe the replaceable parts for each of the analyzer's major assemblies. For information on ordering replacement parts see "How to Order Parts" in the "Assembly Replacement" chapter.

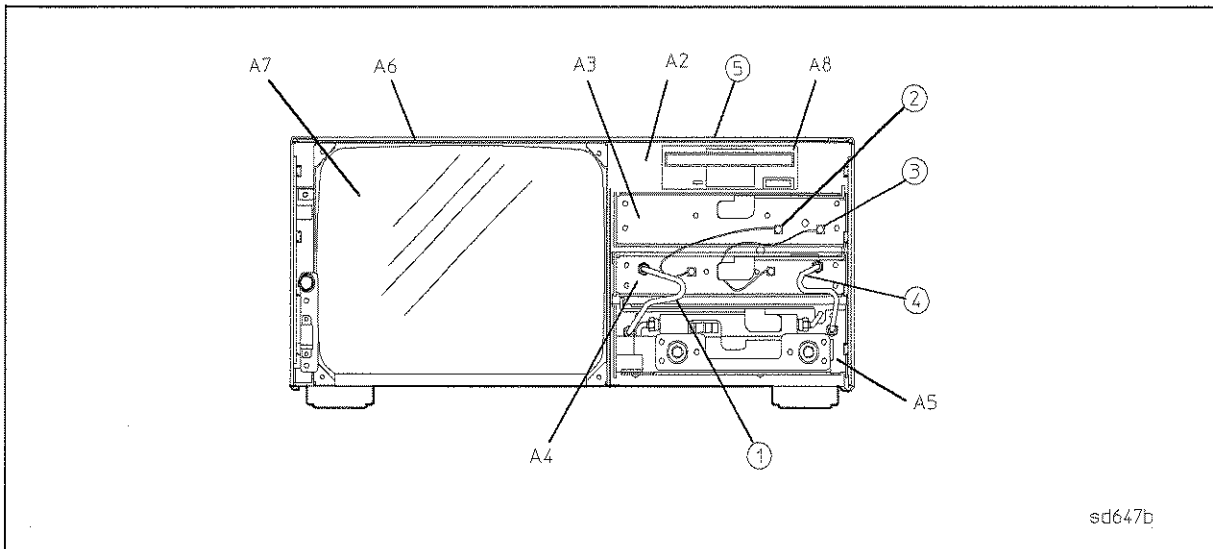
Table 7-1. HP 8711C/12C/30A Major Assembly and Cable Locations



sd644b

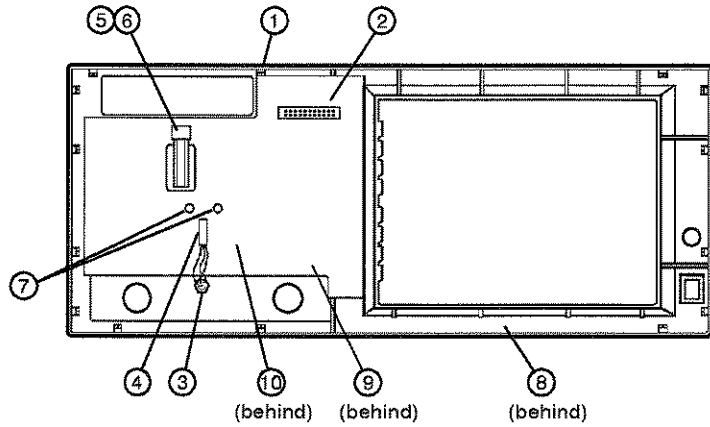
Item	Description	HP Part Number	Quantity
A1	Front panel assembly (removed)	See Table 7-3	1
A2	CPU assembly (not shown)	See Table 7-4	1
A3	Fractional-N/reference assembly	See Table 7-5	1
A4	Source assembly	See Table 7-6	1
A5	Receiver assembly	See Table 7-8 (HP 8711C/12C standard) or Table 7-9 (HP 8711C/12C options) or Table 7-10 (HP 8730A)	1
A6	Power supply (not shown)	See Table 7-13	1
A7	Display assembly	See Table 7-14	1
A8	3.5" internal disk drive (attached to the A2 assembly)	See Table 7-4	1
1	Cable, A4J1 to A5 LO input	08712-20024	1
2	Cable, A4J2 to A3J1	08753-60061	1
3	Cable, A4J3 to A3J3	08753-60061	1
4	Cable, A4J4 to A5 RF input	08712-20029	1
5	Backplane cover (not shown)	08712-00002	1

Table 7-2. HP 8713C/14C Major Assembly and Cable Locations



Item	Description	HP Part Number	Quantity
A1	Front panel assembly (removed)	See Table 7-3	1
A2	CPU assembly (not shown)	See Table 7-4	1
A3	Fractional-N/reference assembly	See Table 7-5	1
A4	Source assembly	See Table 7-7	1
A5	Receiver assembly	See Table 7-11 (HP 8713C/14C standard) or Table 7-12 (HP 8713C/14C options)	1
A6	Power supply (not shown)	See Table 7-13	1
A7	Display assembly	See Table 7-14	1
A8	3.5" internal disk drive (attached to the A2 assembly)	See Table 7-4	1
1	Cable, A4J1 to A5 LO input	08713-20023	1
2	Cable, A4J2 to A3J1	08753-60061	1
3	Cable, A4J3 to A3J3	08753-60061	1
4	Cable, A4J4 to A5 RF input	08713-20022	1
5	Backplane cover (not shown)	08712-00002	1

Table 7-3. A1 Front Panel Assembly and Cable Locations

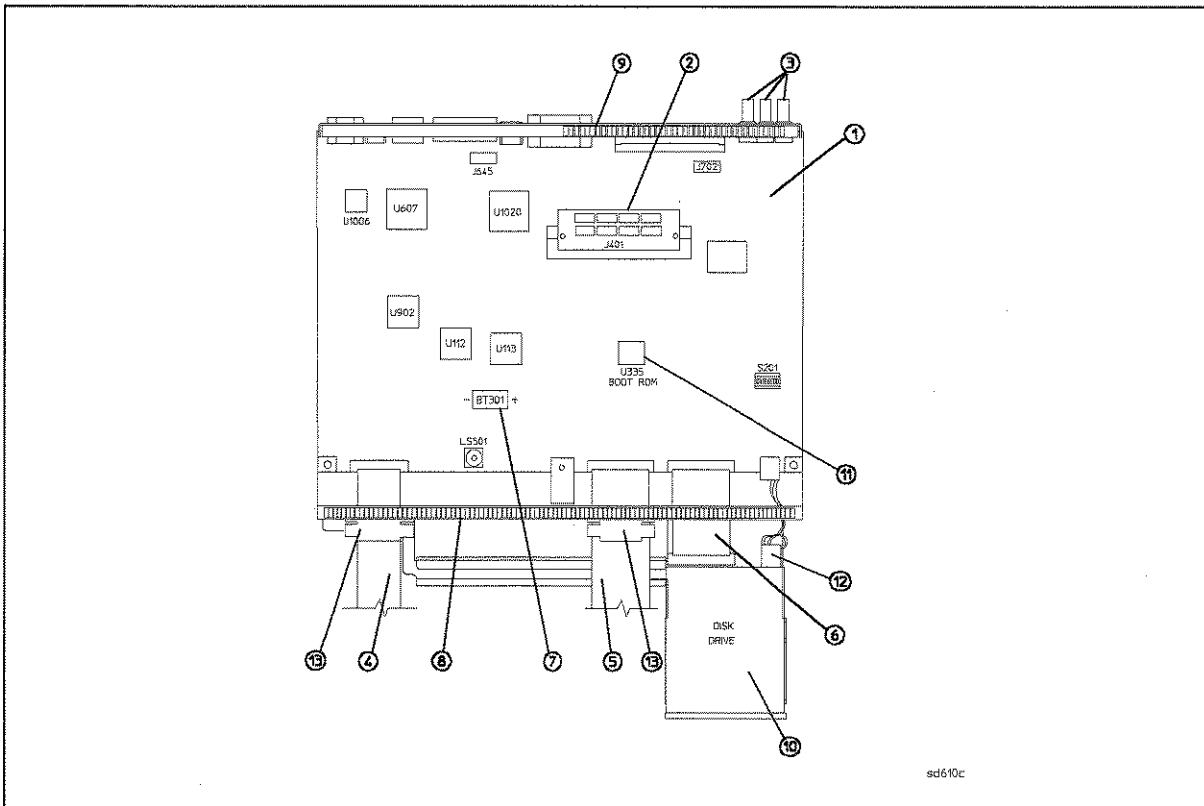


sd611c

Item	Description	HP Part Number	Quantity
1	Front panel assembly, 50Ω*	08712-60037	1
	Front panel assembly, 75Ω	08712-60038	1
	Front frame	08712-40002	1
2	Keyboard assembly	08711-60101	1
3	Probe power socket	1252-7267	1
4	Probe power cable assembly (includes socket)	08712-60035	1
5	RPG (Rotary Pulse Generator) assembly	1990-1525	1
6	Knob (for RPG, on reverse side)	08712-40005	1
7	Fuse for power probe socket, 0.75A, 125V	2110-0424	2
8	Label, HP 8711C	08711-80038	1
	Label, HP 8712C	08712-80014	1
	Label, HP 8713C	08713-80002	1
	Label, HP 8714C	08714-80002	1
	Label, HP 8730A	08730-80001	1
9	Panel, front dress, 50Ω*	08712-80012	1
	Panel, front dress, 75Ω	08712-80013	1
10	Key pad	08730-20001	1

*Not available for the HP 8730A.

Table 7-4. A2 CPU Assembly and Cable Locations

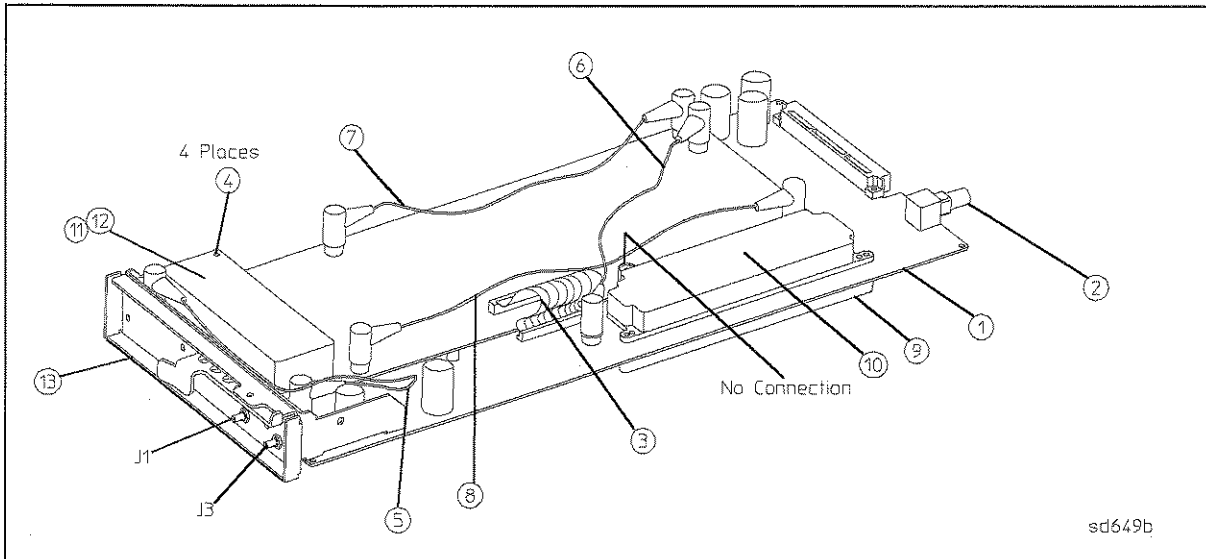


Item	Description	HP Part Number	Quantity
1	A2 CPU assembly (new)	08712-60042	1
	A2 CPU assembly (R-E)	08712-69042	
2	DRAM SIMM (72 pin) 8 MB*	1818-5623	1
	DRAM SIMM (72 pin) 16 MB*	1818-5621	1
	DRAM SIMM (72 pin) 32 MB*	1818-5622	1
3	BNC jacks	1250-1842	4
4	Cable, ribbon, display assembly	8120-5526	1
5	Cable, ribbon, Front panel assembly	8120-5527	1
6	Cable, ribbon, 3.5" internal disk drive assembly	8120-6474	1
7	Battery, 3.0V	1420-0338	1
8	CPU front shield assembly	08712-60044	1
9	CPU rear shield assembly	08712-00018	1
10	A8 3.5" internal Disk Drive Assembly (NOT part of A2 CPU assembly)	0950-3106	1
11	BootROM U335	†	
12	3.5" internal disk drive power cable	08712-60015	1
13	Clamp, ribbon cable	08712-00014	2

*The CPU board only accepts one SIMM. As shipped from the factory, all analyzers have 8 MB of SIMM memory. To increase the amount of memory, remove the existing SIMM and replace it with a higher capacity SIMM.

† Contact your local HP Sales and Service Office.

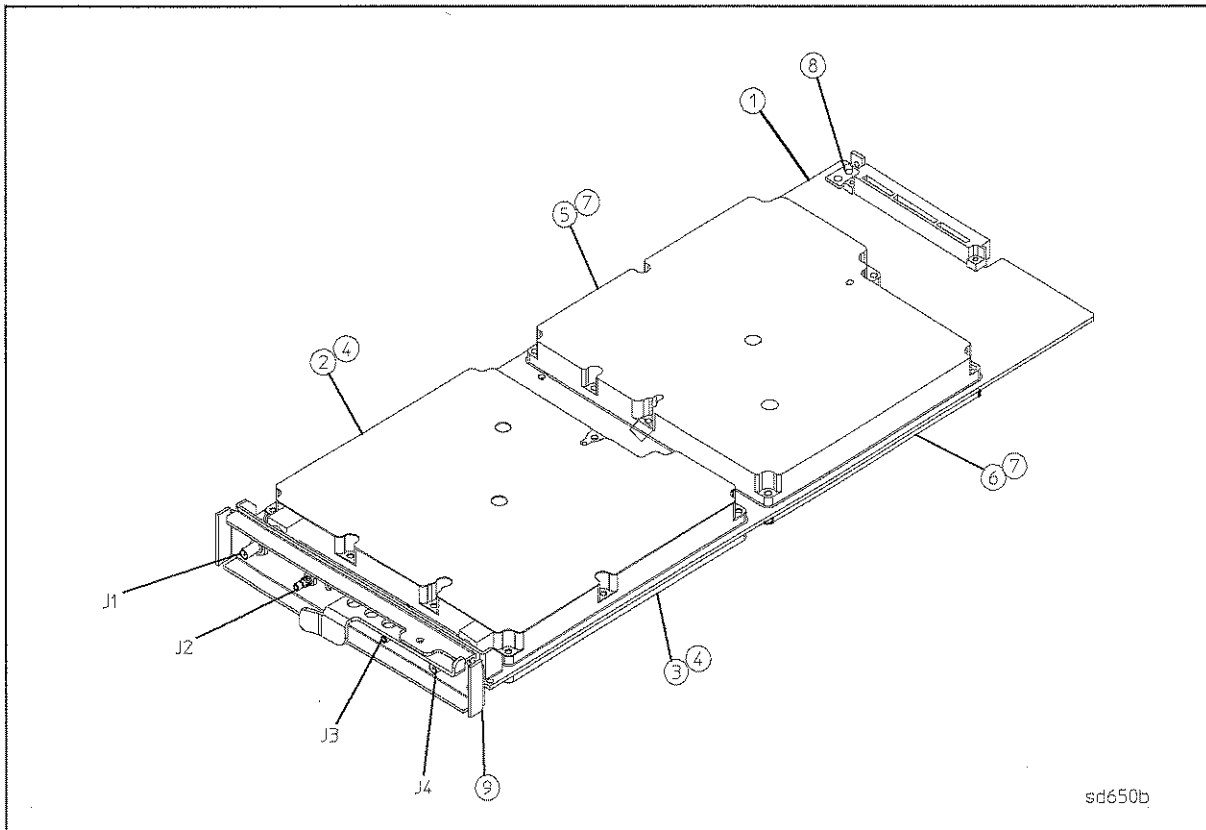
Table 7-5. A3 Fractional-N/Reference Assembly and Cable Locations



Item	Description	HP Part Number	Quantity
1*	A3 Fractional-N/reference circuit board assembly (new)	08712-60011	1
	A3 Fractional-N/reference circuit board assembly (R-E)	08712-69011	
2	J6 external reference input jack, BNC	1250-1842	1
	Hex nut for BNC jack (not shown)	2950-0054	1
	Washer for BNC jack (not shown)	2190-0068	1
3	Cable, connection, 21C	8120-5494	1
4	Screw, machine, M3 x 35	0515-1038	4
5	Cable, J2 to J15 8.5 in.	8120-2587	1
6	Cable, J4 to J8 8.5 in.	8120-2587	1
7	Cable, J7 to J17 8.5 in.	8120-2587	1
8	Cable, J18 to J18 SH 12 in.	8120-2586	1
9	Shield, REF (bottom)	08711-20021	1
10	Shield, REF (top)	08711-20020	1
11	Shield, fractional-N/VCO (top)	03325-40602	1
12	Shield, fractional-N/VCO (spacer plate)	03325-40601	1
13	Front shield/handle assembly, fractional-N/reference	08712-60008	1
J1	Connector, SMB, fractional-N output	1250-1512	1
J3	Connector, SMB, 10 MHz reference output	1250-1512	1

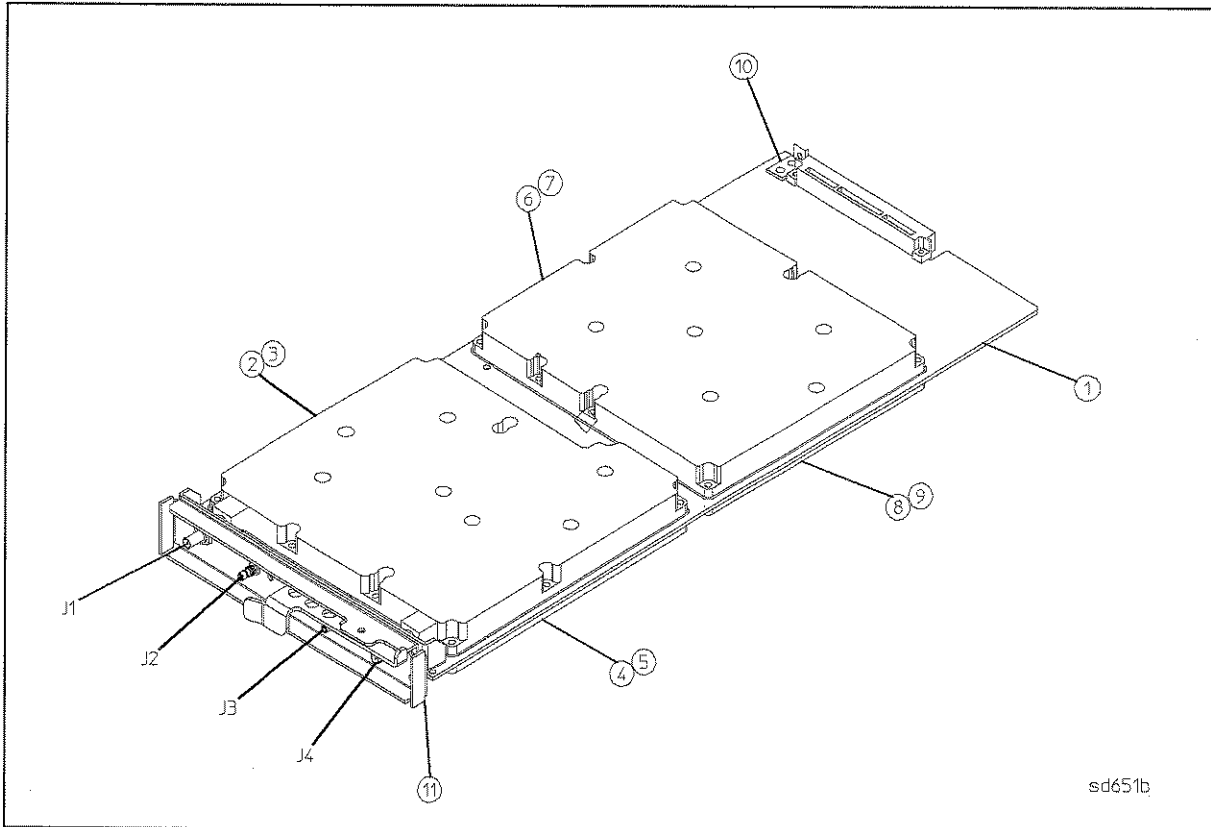
*Item 1 consists of two circuit boards. Do not take them apart. They must be ordered together with the above part number.

Table 7-6. HP 8711C/12C/30A A4 Source Assembly and Cable Locations



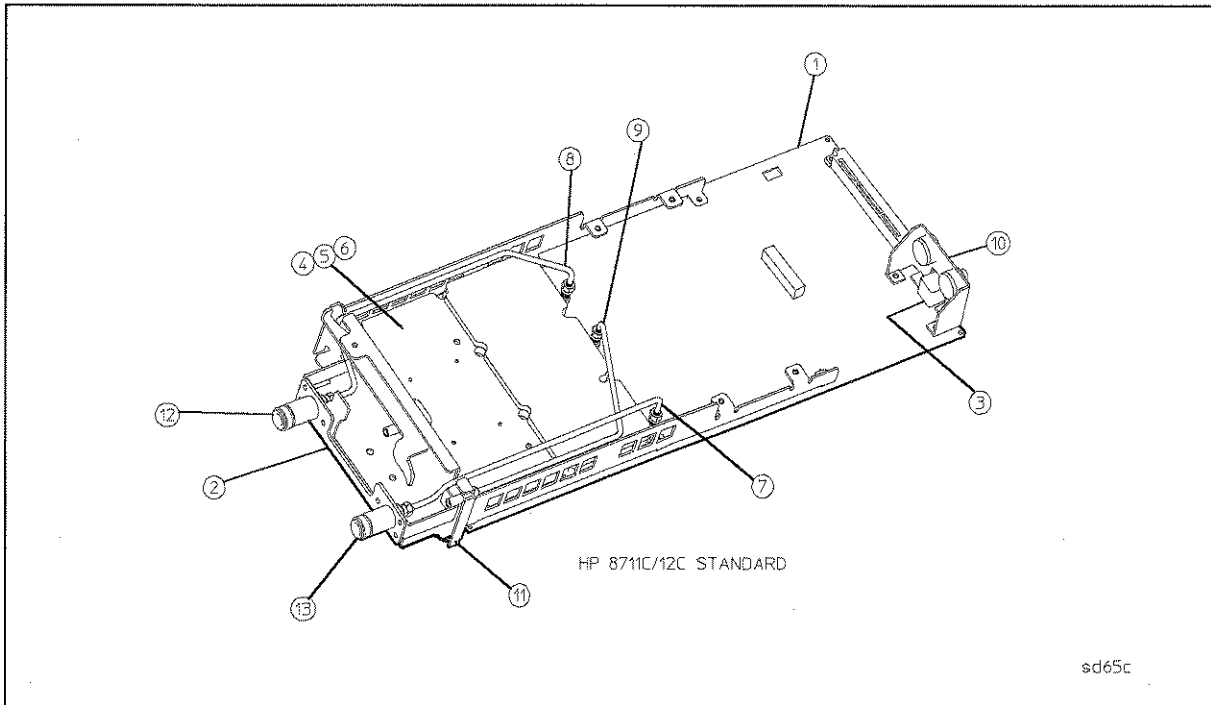
Item	Description	HP Part Number	Quantity
1	A4 Source assembly (new)	08712-60004	1
	A4 Source assembly (R-E)	08712-69004	
2	Front shield (top)	08711-20022	1
3	Front shield (bottom)	08711-20023	1
4	Front shield gasket	08711-20043	2
5	Rear shield (top)	08711-20024	1
6	Rear shield (bottom)	08711-20025	1
7	Rear shield gasket	08711-20044	2
8	L bracket	1400-1669	1
9	Front shield/handle	08712-60007	1
J1, J4	Connector, SMA	1250-1986	2
J2, J3	Connector, SMB	1250-1512	2
	Lockwasher .195 in. (not shown, for SMB)	2190-0124	2
	Nut - Hex 10-32 in. (not shown, for SMB)	2950-0078	2

Table 7-7. HP 8713C/14C A4 Source Assembly and Cable Locations



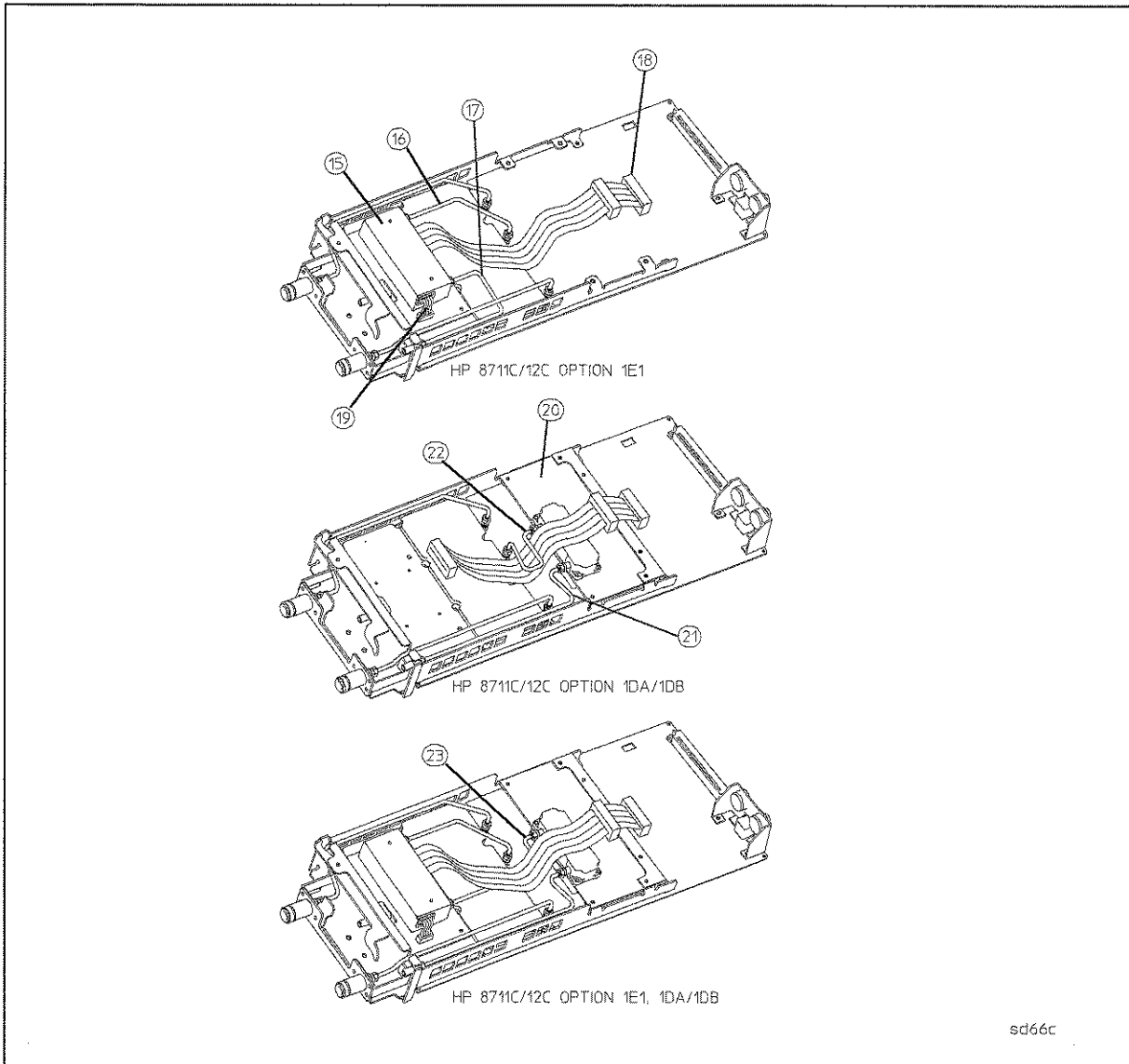
Item	Description	HP Part Number	Quantity
1	A4 Source assembly (new)	08713-60004	1
	A4 Source assembly (R-E)	08713-69004	
2	Front shield (top)	08713-20039	1
3	Front shield gasket (top)	08713-20028	1
4	Front shield (bottom)	08713-20041	1
5	Front shield gasket (bottom)	08713-20030	1
6	Rear shield (top)	08713-20040	1
7	Rear shield gasket (top)	08713-20029	1
8	Rear shield (bottom)	08713-20042	1
9	Rear shield gasket (bottom)	08713-20031	1
10	L bracket	1400-1669	1
11	Front shield/handle	08712-60007	1
J1, J4	Connector, SMA	1250-1986	2
J2, J3	Connector, SMB	1250-1512	2
	Lockwasher .195 in. (not shown, for SMB)	2190-0124	2
	Nut - Hex 10-32 in. (not shown, for SMB)	2950-0078	2

Table 7-8. HP 8711C/12C A5 Receiver Assembly and Cable Locations



Item	Description	HP Part Number	Quantity
1	A5 receiver assembly (new), 50Ω	08712-60056	1
	A5 receiver assembly (R-E), 50Ω	08712-69056	
	A5 receiver assembly (new), 75Ω	08712-60055	1
	A5 receiver assembly (R-E), 75Ω	08712-69055	
2	Test port assembly, 50Ω (connectors and bracket)	08711-60038	1
	Test port assembly, 75Ω (connectors and bracket)	08711-60039	1
3	Connector, BNC, auxiliary input	1250-1842	1
	Hex nut for BNC connector	2950-0054	1
	Washer for BNC connector	2190-0068	1
4	Square shield (top)	08712-20013	1
5	Square shield (bottom)	08711-20026	1
6	Square shield gasket	08711-20040	2
7	Connector, RF IN to J4 cable assembly	08712-20016	1
8	Cable, J2 to RF OUT, 50Ω	08712-20014	1
	Cable, J2 to RF OUT, 75Ω	08712-20028	1
9	Cable assembly, Source RF to J3	08712-20025	1
10	External detector input (includes both inputs, cables, and bracket)	08711-60021	1
11	Front shield	08712-60006	1
12	Connector, RF output, 50Ω	86290-60005	2
	Connector, RF output, 75Ω	08752-60009	1
13	Connector, RF input, 50Ω	86290-60005	
	Connector, RF input, 75Ω	08752-60010	1

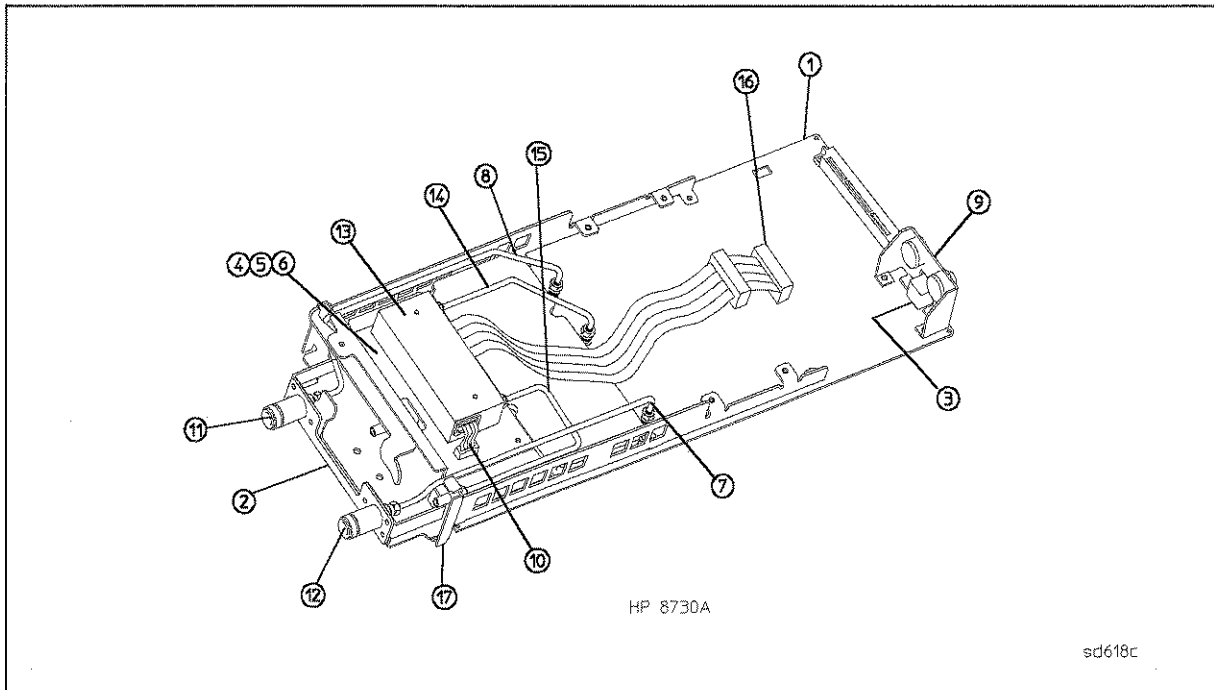
Table 7-9.
HP 8711C/12C A5 Receiver Optional Configurations Assembly and Cable Locations



sd66c

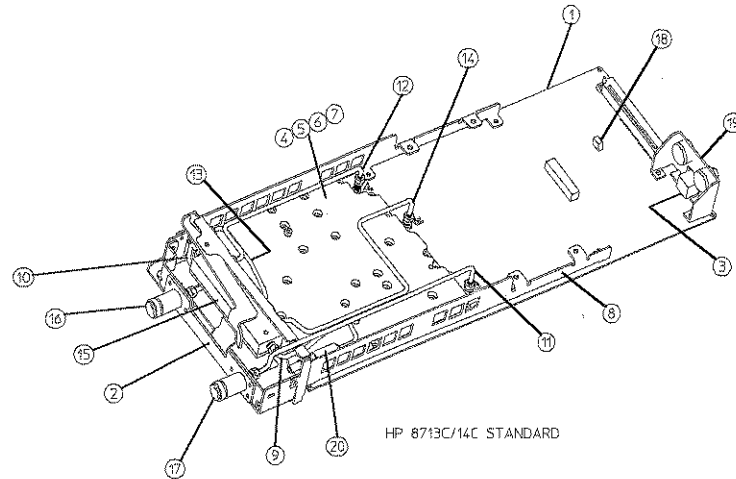
Item	Description	HP Part Number	Quantity
15	Attenuator assembly (board and attenuator)	08712-60023	1
16	Cable, ATTEN OUT to J3	08712-20015	1
17	Cable, RF IN to ATTEN IN	08712-20023	1
18	Cable, ribbon, option	8120-6475	1
19	Cable, ribbon, attenuator	8120-6473	1
20	AM delay modulator assembly	08712-60009	1
21	Cable, RF IN to AM DELAY MOD IN	08712-20018	1
22	Cable, AM DELAY MOD OUT to J3	08712-20019	1
23	Cable, AM DELAY MOD OUT to ATTEN IN	08712-20017	1

Table 7-10. HP 8730A A5 Receiver Assembly and Cable Locations



Item	Description	HP Part Number	Quantity
1	A5 receiver assembly (new), 75Ω A5 receiver assembly (R-E), 75Ω	08712-60055 08712-69055	1
2	Test port assembly, 75Ω (connectors and bracket)	08711-60039	1
3	Connector, BNC, auxiliary input Hex nut for BNC connector Washer for BNC connector	1250-1842 2950-0054 2190-0068	1 1 1
4	Square shield (top)	08712-20013	1
5	Square shield (bottom)	08711-20026	1
6	Square shield gasket	08711-20040	2
7	Connector, RF IN to J4 cable assembly	08712-20016	1
8	Cable, J2 to RF OUT, 50Ω Cable, J2 to RF OUT, 75Ω	08712-20014 08712-20028	1 1
9	External detector input (includes both inputs, cables, and bracket)	08711-60021	1
10	Front shield	08712-60006	1
11	Connector, RF output, 75Ω	08752-60009	1
12	Connector, RF input, 75Ω	08752-60010	1
13	Attenuator assembly (board and attenuator)	08712-60023	1
14	Cable, ATTEN OUT to J3	08712-20015	1
15	Cable, RF IN to ATTEN IN	08712-20023	1
16	Cable, ribbon, option	8120-6475	1
17	Cable, ribbon, attenuator	8120-6473	

Table 7-11. HP 8713C/14C A5 Receiver Assembly and Cable Locations



HP 8713C/14C STANDARD

sd67c

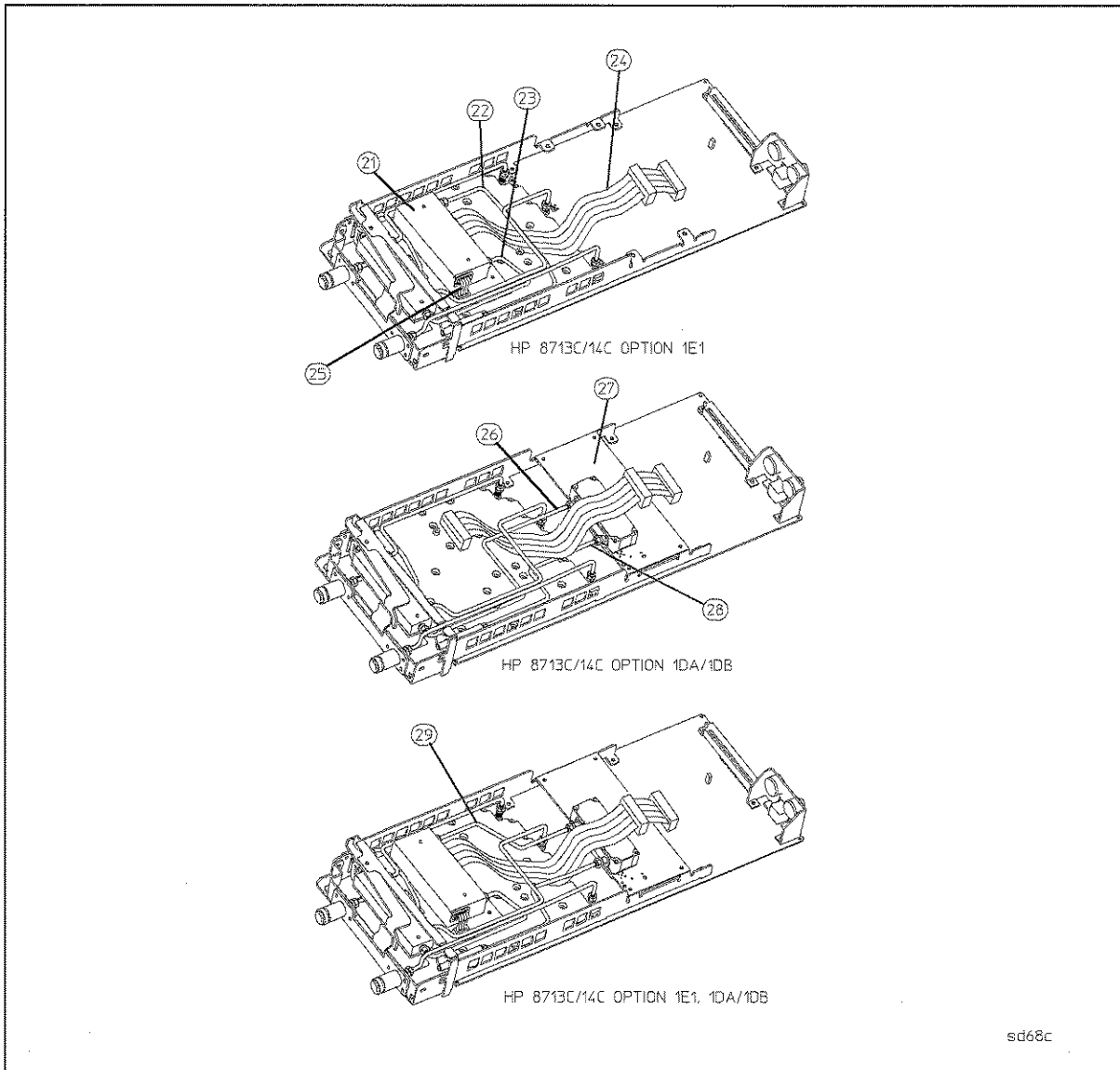
Item	Description	HP Part Number	Quantity
1	A5 Receiver assembly (new), 50Ω	08713-60002	1
	A5 Receiver assembly (R-E), 50Ω	08713-69002	
	A5 Receiver assembly (new), 75Ω	08713-60003	
	A5 Receiver assembly (R-E), 75Ω	08713-69003	
2	Test port assembly, 50Ω (connectors and bracket)	08711-60038	1
	Test port assembly, 75Ω (connectors and bracket)	08711-60039	1
3	Connector, BNC, auxiliary input	1250-1842	1
	Hex nut for BNC connector	2950-0054	
	Washer for BNC connector	2190-0068	
4	Square shield (top)	08713-20037	1
5	Square shield (bottom)	08713-20038	1
6	Square shield gasket (top)	08713-20035	1
7	Square shield gasket (bottom)	08713-20036	1
8	Front shield	08713-60006	1
9	RF source-coupler IN cable	08713-20045	1
10	Cable, test port, 50Ω	5022-1149	1
	Cable, test port,† 75Ω	5022-1152	
11	Cable, RF IN J4	08713-20013	1
12	Cable, J3 coupler - A -	08713-20011	1
13	Cable, LO source - J1 -	08713-20010	1
14	Cable, J2 coupler - R -	08713-20012	1
15*	Coupler assembly, 50Ω	5086-7936	1
	Coupler assembly, 75Ω	5086-7937	1
16	Connector, RF output, 50Ω	86290-60005	2
	Connector, RF output, 75Ω†	08752-60009	
17	Connector, RF input, 50Ω	86290-60005	1
	Connector, RF input, 75Ω	08752-60010	
18	Jumper, option	1258-0141	1
19	External detector input (includes both X and Y input connectors, cables and brackets)	08711-60021	1
20	Limiter	5086-7988	1

*Coupler assembly includes both test port connectors, mounting plate, and cables.

†Use extreme caution when connecting this cable. It is very fragile and can be easily damaged.

7-12 Parts List

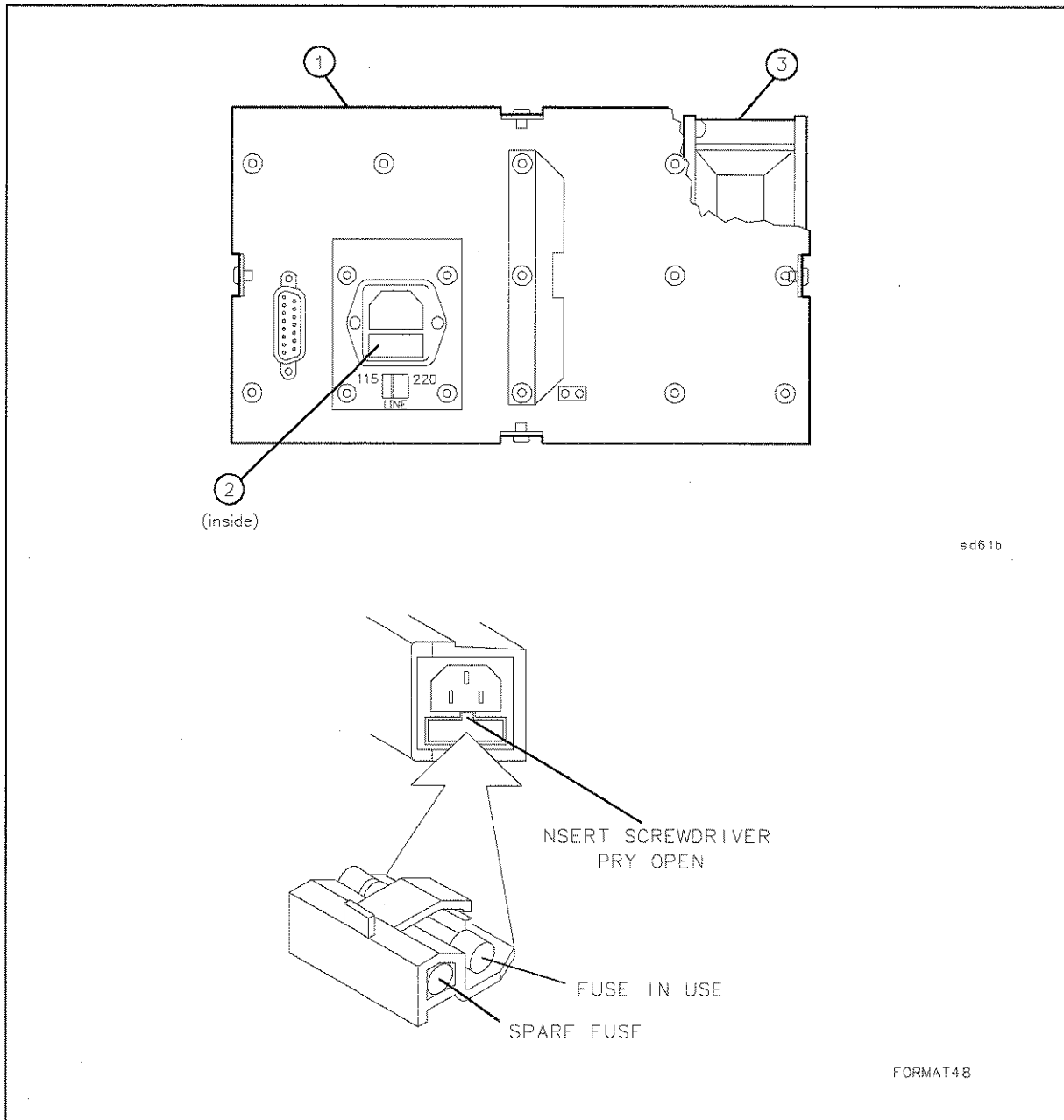
Table 7-12.
HP 8713C/14C A5 Receiver Optional Configurations Assembly and Cable
Locations



sd68c

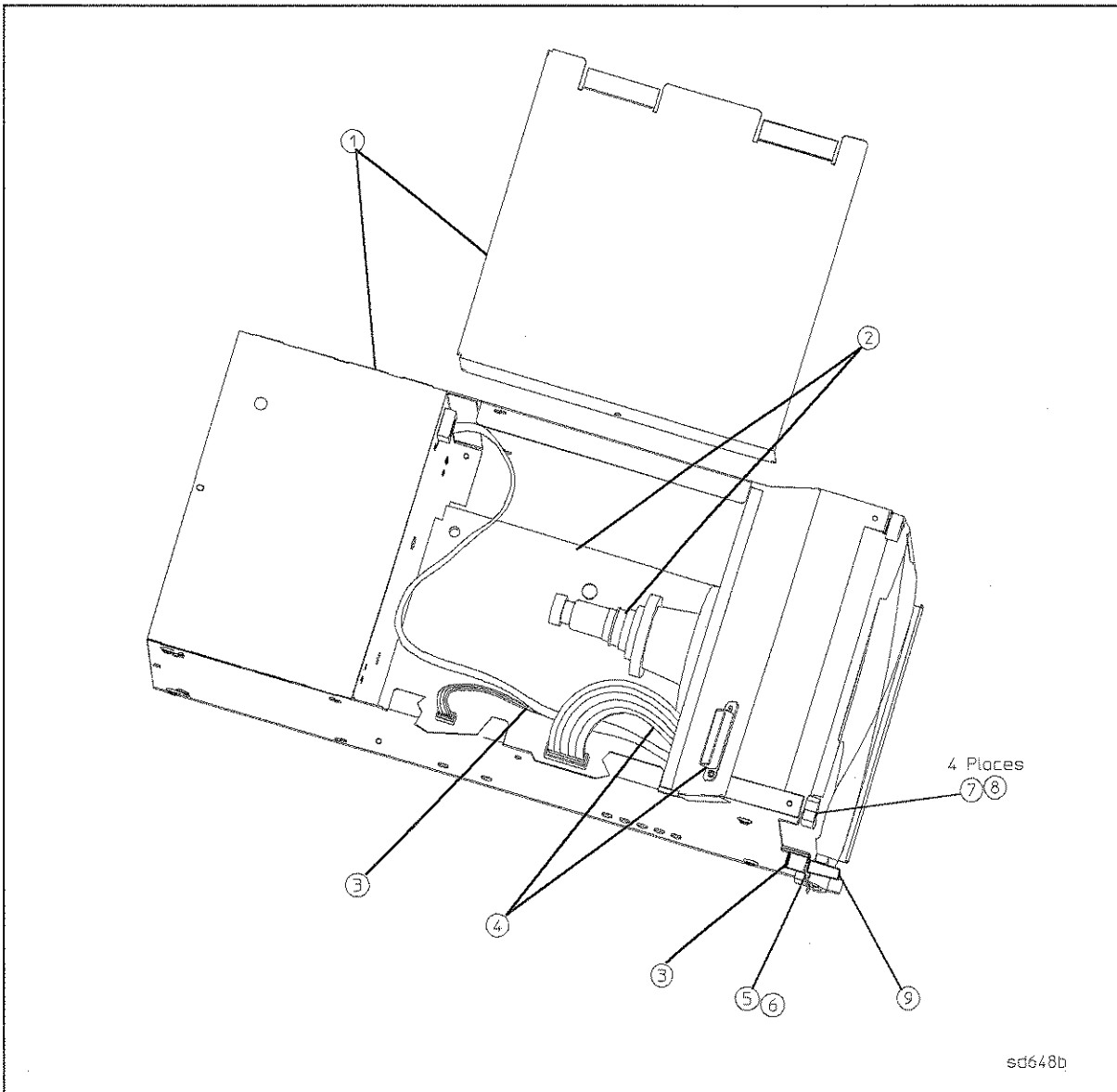
Item	Description	HP Part Number	Quantity
21	Attenuator assembly (board and attenuator)	08712-60023	1
22	Cable, RF IN to ATTEN IN	08713-20044	1
23	Cable, ATTEN OUT to COUPLER IN	08713-20016	1
24	Cable, ribbon, options	8120-6475	1
25	Cable, ribbon, attenuator (part of item 19)	8120-6473	1
26	Cable, AM DELAY MOD OUT to COUPLER IN	08713-20021	1
27	AM Delay modulator assembly	08712-60009	1
28	Cable, RF IN to AM DELAY MOD IN	08713-20046	1
29	Cable, AM DELAY MOD OUT to ATTEN IN	08713-20015	1

Table 7-13. A6 Power Supply Assembly and Cable Locations



Item	Description	HP Part Number	Quantity
1	A6 power supply assembly (new)	0950-2201	1
	A6 power supply assembly (R-E)	5062-3437	0
2	Fuse, 5A, 250V, time-lag (5 × 20 mm)	2110-0882	2
3	Fan assembly	5062-3412	1

Table 7-14. A7 Display Assembly and Cable Locations



sd648b

Item	Description	HP Part Number	Quantity
1	Display enclosure	08712-60010	1
2	CRT with board	2090-0558	1
3	Switch, intensity control, and cable assembly	08711-60165	1
4	Cable, display 20C w/headers	8120-5525	1
5	Lock washer .256 in. ID	2190-0067	1
6	Nut 1/4-36	2950-0216	2
7	Washer, Flat .125 in. ID	3050-0116	4
8	Nut M3	0535-0031	4
9	Knob, intensity	08712-40004	1
	Bracket, monitor board (not shown)	08712-00005	1

Table 7-15. Cabinet and Miscellaneous Parts

Description	HP Part Number
CABINET PARTS (Quantity per Analyzer)	
Chassis (includes connector board and labels)	08712-60041
Power cord (varies by country, consult your CE)	
Front handle (2)	5063-9203
Front handle trim (2)	5041-9181
Front handle nut plate (2)	08711-00007
Screws for front handles (8)	0515-0943
Foot (4)	08712-40003
RFI spring strip, 16 in. (cut as required)	8160-0775
Backplane cover	08712-00002
Disassembly label (on bottom of analyzer)	08712-80016
Rear panel label	08712-80011
Rack mount kit (for use with or without handles)	08712-60036
Fuse, power supply 5A, 250V, time delay, 5 × 20 mm (2)	2110-0882
SOFTWARE	
HP 8711C/12C/13C/14C/HP 8730A Performance test program (RMB)	08712-10017
HP 8711C/12C/13C/14C/HP 8730A Performance test program (PC version)	08712-10018
Example programs disk (LIF format)	08712-10021
Example programs disk (DOS format)	08712-10019
HP 8711C/12C/13C/14C/HP 8730A IBASIC Example programs disk	08712-10022
HP 8711C/12C/13C/14C/HP 8730A Firmware kit	08712-60047
ACCESSORIES	
50Ω 3.5-mm calibration kit	HP 85033C opt 001
50Ω type-N calibration kit	HP 85032B/E
50Ω 3.5-mm accessory kit	HP 11878A
50Ω type-N accessory kit	HP 11853A
50Ω BNC accessory kit	HP 11854A
50Ω type-N to TNC adapter kit	HP 86212A
50Ω to 75Ω minimum loss pad	HP 11852B
75Ω type-N calibration kit	HP 85036B/E
75Ω type-N accessory kit (adapters, shorts, loads)	HP 11855A
75Ω type-N to 75Ω BNC assembly kit	HP 11856A
75Ω type-N to type-F adapter kit	HP 86211A
24-inch BNC test port cable (50Ω)	HP 8120-1839
50Ω type-N, male-to-male test port cable (precision)	HP 8120-4781
50Ω type-N, male-to-male test port cable (economy)	HP 8120-6469
75Ω type-N, male-to-male test port cable (precision)	HP 8120-2408
75Ω type-N, male-to-male test port cable (economy)	HP 8120-6468
75Ω type-N, male-to-female test port cable (precision)	HP 8120-2409

Table 7-14. Cabinet and Miscellaneous Parts (continued)

Description	HP Part Number
ACCESSORIES (continued)	
Power splitter 2-way, 50Ω, 3 GHz	0955-0751
Power splitter 2-way, 75Ω, 3 GHz	0955-0752
Attenuator, 75Ω, 3 dB	0955-0765
Attenuator, 75Ω, 6 dB	0955-0766
Attenuator, 75Ω, 10 dB	0955-0767
Attenuator, 75Ω, 20 dB	0955-0768
1.0 meter HP-IB cable	HP 10833A
2.0 meter HP-IB cable	HP 10833B
4.0 meter HP-IB cable	HP 10833C
0.5 meter HP-IB cable	HP 10833D
2.0 meter (standard) detector cable	8120-5515
20.0 meter detector cable	8120-5514
probe power connector (f) body	5060-0466
probe power connector (f) sleeve	5040-0494
Keyboard	C1405B
Keyboard template	08712-80028
DIN (f) to miniDIN (m) adaptor (for keyboard)	1252-4141
High frequency probe	HP 85024A
50Ω RF scalar detector	HP 86200B
50Ω RF bridge	HP 86205A
75Ω RF scalar detector	HP 86201B
75Ω RF bridge	HP 86207A
UPGRADE KITS	
Attenuator (Option 1E1) upgrade kit ¹	08711-60067
IBASIC (Option 1C2) upgrade kit	08711-60164
HP 8711C/12C/13C/14C/HP 8730A Firmware kit	08712-60047
AM delay kit (does not include detectors or power splitter) ¹	08711-60062
Option 1F7 (LAN) upgrade kit	08712-60052
Option 100 (fault location and SRL) upgrade kit ¹	08712-60048

¹ Not available for HP 8730A.

Table 7-14. Cabinet and Miscellaneous Parts (continued)

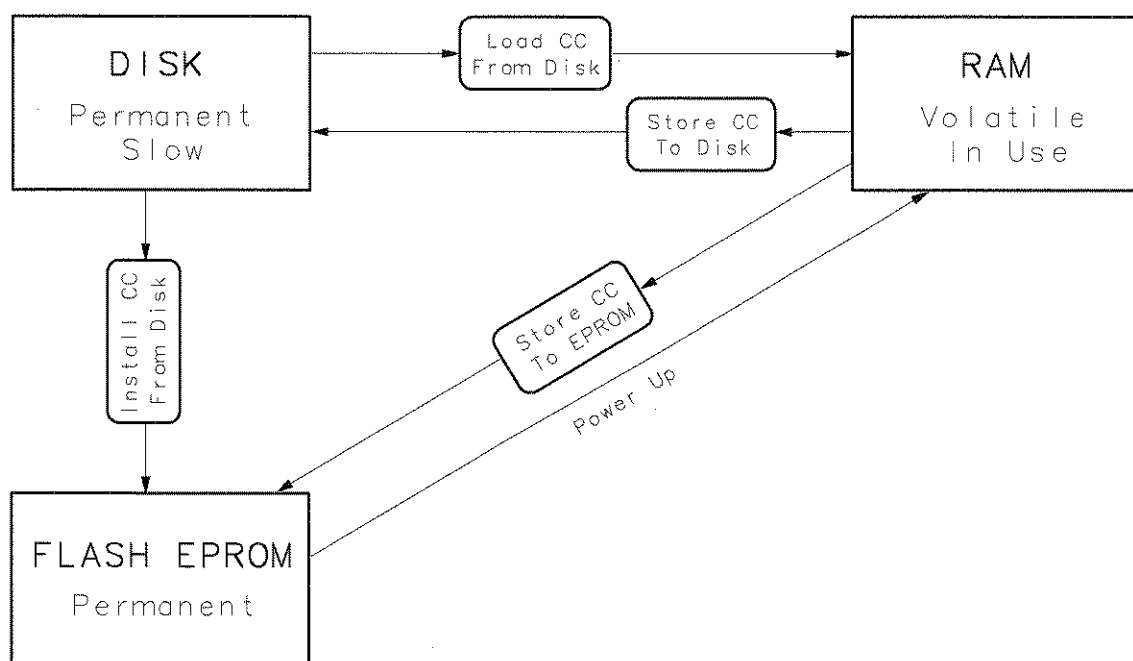
Description	HP Part Number
SERVICE TOOLS	
Service tool kit: Extender board assembly HP-IB connector extender Two SMB extension cables, 12 inches long (30-cm) Modified 5/16-inch wrench I.C. extractor Non-shielded display ribbon cable 6-inch (150-mm) Semi-rigid coaxial extender cable Voltage reference source bootROM	08712-60012
Spare parts kit (includes A2, A3, A4, A5, A8) For HP 8711C/12C, 50Ω For HP 8711C/12C/30A, 75Ω For HP 8713C/14C, 50Ω For HP 8713C/14C, 75Ω	08712-60046 08712-60045 08713-60010 08713-60011
DOCUMENTATION	
HP 8711C/13C User's Guide	08711-90071
HP 8712C/14C User's Guide	08712-90056
HP 8730A/87030A User's Guide	08730-90012
HP 8711C/12C/13C/14C/30A Service Guide	08712-90059
HP 87030A Service Guide	87030-90001
HP 8711C/12C/13C/14C/30A schematic package ¹	08712-90074
HP 8711C/12C/13C/14C Programmer's Guide	08712-90057
HP 8730A/87030A Programmer's Guide	08730-90013
HP 8711C/12C/13C/14C/30A IBASIC Guide	08712-90045
HP 8711C/12C/13C/14C Option 100 User's Guide Supplement	08712-90060
HP 8711C/12C/13C/14C CATV Quick Start Guide (Option 100)	08712-90076
HP 8711C/12C/13C/14C Cellular Antenna Quick Start Guide (Option 100)	08712-90077
HP 8711C/12C/13C/14C/30A LAN Option 1F7 User's Guide Supplement	08712-90062

¹ Scheduled for availability in 1998.

Correction Constants and Firmware

Storing and Recalling Correction Constants (CC)

Note Firmware and correction constants reside in segmented flash EPROMs. Because the EPROMs are segmented, it is possible to upgrade either firmware or correction constants independently. This is different from the previous HP 8711A and HP 871xB analyzers which required the simultaneous updating of both correction constants and firmware. The figure below illustrates the flow of correction constants in the analyzer



sd619c

Figure 8-1. Correction Constants Flow by Keystroke and Cycling Power

Correction constants are what give the analyzer its accuracy as well as its default calibration. Incorrect or missing correction constants will result in the following poor performance:

- Non-zero transmission trace when a good quality through cable is connected
- Non-zero return loss measurement with a short or open circuit
- Poor directivity
- Output power inaccuracy

Analyzer-specific correction constants are provided with each instrument shipped from the factory. The correction constants are provided on a 3.5 inch floppy disk and consist of one file that is about 25 kbytes in size. Although each file is serial number specific, the same file *name* is used for each analyzer. Since this is the case, files for different instruments must remain stored on different disks. It is important that the proper disk be used with the proper instrument.

Do not format or re-use the correction constants disk shipped with the analyzer unless you are certain that the data on it is no longer needed. In general, correction constants cannot be totally erased; they can only be updated (overwritten). The disk shipped with each analyzer should be kept in a safe place and write-protected so that it cannot be accidentally erased. Generally, this disk will never be needed unless the CPU assembly needs to be replaced.

New correction constants can be generated by performing the built-in adjustment routines. (Refer to Chapter 2, "Adjustments," for detailed information.) Results from these adjustments are always stored in volatile RAM. The user can then transfer this data to either the internal floppy disk or the permanent EPROM.

The following correction constants procedures can be performed:

- Storing Correction Constants to Disk (used to make a backup copy)
- Loading Correction Constants from Disk (this places them into volatile RAM)
- Storing Correction Constants to EPROM (permanently overwrites existing CCs with what is currently in RAM)
- Installing Correction Constants from Disk (a combination of loading CCs from disk and storing to EPROM)

Storing Correction Constants to Disk

This will copy the current contents of the analyzer's CC data that is contained in RAM to the internal disk drive. The instrument writes (or overwrites) a file named "CC_DATX," where X is the last digit of the analyzer's model number. This is generally used to make a backup copy and may be very useful if the analyzer ever needs servicing.

1. Insert a formatted disk into the internal disk drive. (If needed, format the disk with the file utilities menu under **SAVE RECALL**).

Caution Do not format the correction constants disk shipped with the analyzer unless you are certain that the data on it is no longer needed.

2. Press **SYSTEM OPTIONS** **Service** **Update Corr Const** **Store CC To Disk**.

Loading Correction Constants from Disk

This will load a copy of the CC data that is on disk into temporary RAM. Once in RAM, the analyzer will continue to use that data until turned off. A warning message will be displayed if some adjustments have not been done or if the serial number contained in the file does not match the instrument serial number. To permanently save this data to EPROM, you must also subsequently select **Store CC to EPROM**.

1. Insert the proper correction constants disk into the internal disk drive.
2. Press **(SYSTEM OPTIONS)** **Service** **Update Corr Const** **Load CC From Disk**.

Storing Correction Constants to EPROM

This will copy the current contents of the analyzer's CC data that is contained in RAM to permanent storage in the EPROM. This procedure should be done when you are satisfied that the current correction constants in temporary RAM are complete and correct. Once stored to EPROM, a backup copy should be made on a floppy disk using the "Storing Correction Constants to Disk" procedure.

1. Press **(SYSTEM OPTIONS)** **Service** **Update Corr Const** **Store CC to EPROM**.

Installing Correction Constants from Disk

This procedure automatically loads CCs from disk and stores them in EPROM. This procedure is typically done after replacing the CPU board assembly in order to return the analyzer to its previously calibrated state.

1. Insert the proper correction constants disk into the internal disk drive.
2. Press **(SYSTEM OPTIONS)** **Service** **Update Corr Const** **Install CC From Disk**.

In Case of Difficulties

If the message **ROM Appears to be Blank** is displayed on power up, try re-loading firmware from disk. Refer to "How to Upgrade or Re-install the Firmware."

If the message **Warning: No Correction Constants Installed** is displayed on power up, install the correction constants from disk using the "Install Correction Constants From Disk" procedure.

If you suspect that the current CC data is inaccurate, first try reinstalling CC data using the "Install Correction Constants From Disk" procedure. If this does not seem to improve the situation, try erasing all of Static RAM (SRAM) by using the following procedure. Note that this will erase any data in the non-volatile RAM, but it will not affect the CC data.

- Cycle the the analyzer's power.
- After about 8 seconds, the analyzer will emit a double beep. Immediately after this double beep, press **(PRESET)** several times.
- The analyzer will pause after performing the CPU main self-tests and ask if you want to zero the SRAM. Answer YES by pressing the **(BEGIN)** key.
- When the analyzer completes its power up routine, it will be placed in the factory default condition. Verify that the analyzer is now producing correct measurement results. If not, the analyzer may have to be repaired or re-calibrated.

Upgrading or Re-Installing Firmware

Firmware can be upgraded at any time without the need for the correction constants disk. Upgrading firmware will not affect the correction constants, but it will erase any data stored in the non-volatile memory such as instrument states and programs. If these files are needed, copy them to a floppy disk before proceeding.

Firmware may be contained on one or two high-density, compressed floppy disks which are in LIF format (not readable on a DOS system). Firmware is shipped with each analyzer. New firmware disks are released periodically as improvements are made. You should always keep at least one copy of firmware in a safe place because you cannot create a firmware disk yourself. See Chapter 7, "Parts List," for the HP part number of the firmware kit.

The following is a generalized procedure. Follow any specific instructions contained in your firmware update kit.

How to Upgrade or Re-Install the Firmware

1. Insert the firmware disk and cycle the analyzer's line power. (If two disks are supplied, insert disk #1.) The analyzer indicates that it detects a firmware disk and is about to install the new firmware.
2. Press **BEGIN** when prompted. The firmware will begin to load. If prompted, insert the second firmware disk. Loading of firmware takes about five minutes.
3. When prompted, remove the firmware disk and cycle the power again. The analyzer will indicate which firmware revision is installed; verify that it is correct.

Safety, Warranty, and Assistance

Safety Symbols

The following safety symbols are used throughout this manual. Familiarize yourself with each of the symbols and its meaning before operating this instrument.

Caution Caution denotes a hazard. It calls attention to a procedure that, if not correctly performed or adhered to, would result in damage to or destruction of the instrument. Do not proceed beyond a caution note until the indicated conditions are fully understood and met.

Warning Warning denotes a hazard. It calls attention to a procedure which, if not correctly performed or adhered to, could result in injury or loss of life. Do not proceed beyond a warning note until the indicated conditions are fully understood and met.

General Safety Considerations

Safety Earth Ground

Warning This is a Safety Class I product (provided with a protective earthing ground incorporated in the power cord). The mains plug shall only be inserted in a socket outlet provided with a protective earth contact. Any interruption of the protective conductor, inside or outside the instrument, is likely to make the instrument dangerous. Intentional interruption is prohibited.

Servicing

Warning These servicing instructions are for use by qualified personnel only. To avoid electrical shock, do not perform any servicing unless you are qualified to do so.

Warning The opening of covers or removal of parts is likely to expose dangerous voltages. Disconnect the instrument from all voltage sources while it is being opened.

Warning The power cord is connected to internal capacitors that may remain live for 5 seconds after disconnecting the plug from its power supply.

Warning For continued protection against fire hazard replace line fuse only with same type and rating (F 5A/250V). The use of other fuses or material is prohibited.

Warning The detachable power cord is the instrument disconnecting device. It disconnects the mains circuits from the mains supply before other parts of the instrument. The front panel switch is only a standby switch and is not a LINE switch (disconnecting device).

Warranty

This Hewlett-Packard instrument product is warranted against defects in material and workmanship for a period of one year from date of shipment. During the warranty period, Hewlett-Packard Company will, at its option, either repair or replace products which prove to be defective.

Warranty service will be performed at Buyer's facility at no charge within HP service travel areas. Outside HP service travel areas, warranty service will be performed at Buyer's facility only upon HP's prior agreement and Buyer shall pay HP's round trip travel expenses. In all other areas, products must be returned to a service facility designated by HP.

For products returned to HP for warranty service, Buyer shall prepay shipping charges to Hewlett-Packard and Hewlett-Packard shall pay shipping charges to return the product to Buyer. However, Buyer shall pay all shipping charges, duties, and taxes for products returned to Hewlett-Packard from another country.

Hewlett-Packard warrants that its software and firmware designated by Hewlett-Packard for use with an instrument will execute its programming instructions when properly installed on that instrument. Hewlett-Packard does not warrant that the operation of the instrument, or software, or firmware will be uninterrupted or error-free.

Limitation of Warranty

The foregoing warranty shall not apply to defects resulting from improper or inadequate maintenance by Buyer, Buyer-supplied software or interfacing, unauthorized modification or misuse, operation outside of the environmental specifications for the product, or improper site preparation or maintenance.

NO OTHER WARRANTY IS EXPRESSED OR IMPLIED. HEWLETT-PACKARD SPECIFICALLY DISCLAIMS THE IMPLIED WARRANTIES OF MERCHANTABILITY AND FITNESS FOR A PARTICULAR PURPOSE.

Exclusive Remedies

THE REMEDIES PROVIDED HEREIN ARE BUYER'S SOLE AND EXCLUSIVE REMEDIES. HEWLETT-PACKARD SHALL NOT BE LIABLE FOR ANY DIRECT, INDIRECT, SPECIAL, INCIDENTAL, OR CONSEQUENTIAL DAMAGES, WHETHER BASED ON CONTRACT, TORT, OR ANY OTHER LEGAL THEORY.

Assistance

Product maintenance agreements and other customer assistance agreements are available for Hewlett-Packard products.

For any assistance, contact your nearest Hewlett-Packard Sales and Service Office.

Shipment for Service

If you are sending the instrument to Hewlett-Packard for service, ship the analyzer to the nearest HP service center for repair, including a description of any failed test and any error message. Ship the analyzer, using the original or comparable anti-static packaging materials. A listing of Hewlett-Packard sales and service offices is provided in Table 9-1.

Table 9-1. Hewlett-Packard Sales and Service Offices

US FIELD OPERATIONS		
<p>Headquarters Hewlett-Packard Co. 19320 Pruneridge Avenue Cupertino, CA 95014 (800) 752-0900</p>	<p>California, Northern Hewlett-Packard Co. 301 E. Evelyn Mountain View, CA 94041 (415) 694-2000</p>	<p>California, Southern Hewlett-Packard Co. 1421 South Manhattan Ave. Fullerton, CA 92631 (714) 999-6700</p>
<p>Colorado Hewlett-Packard Co. 24 Inverness Place, East Englewood, CO 80112 (303) 649-5512</p>	<p>Atlanta Annex Hewlett-Packard Co. 2124 Barrett Park Drive Kennesaw, GA 30144 (404) 648-0000</p>	<p>Illinois Hewlett-Packard Co. 5201 Tollview Drive Rolling Meadows, IL 60008 (708) 255-9800</p>
<p>New Jersey Hewlett-Packard Co. 150 Green Pond Rd. Rockaway, NJ 07866 (201) 586-5400</p>	<p>Texas Hewlett-Packard Co. 930 E. Campbell Rd. Richardson, TX 75081 (214) 231-6101</p>	
EUROPEAN FIELD OPERATIONS		
<p>Headquarters Hewlett-Packard S.A. 150, Route du Nant-d'Avril 1217 Meyrin 2/Geneva Switzerland (41 22) 780.8111</p>	<p>France Hewlett-Packard France 1 Avenue Du Canada Zone D'Activite De Courtaboeuf F-91947 Les Ulis Cedex France (33 1) 69 82 60 60</p>	<p>Germany Hewlett-Packard GmbH Hewlett-Packard Strasse 61352 Bad Homburg v.d.H Germany (49 6172) 16-0</p>
<p>Great Britain Hewlett-Packard Ltd. Eskdale Road, Winnersh Triangle Wokingham, Berkshire RG41 5DZ England (44 734) 696622</p>		
INTERCON FIELD OPERATIONS		
<p>Headquarters Hewlett-Packard Company 3495 Deer Creek Road Palo Alto, California, USA 94304-1316 (415) 857-5027</p>	<p>Australia Hewlett-Packard Australia Ltd. 31-41 Joseph Street Blackburn, Victoria 3130 (61 3) 895-2895</p>	<p>Canada Hewlett-Packard (Canada) Ltd. 17500 South Service Road Trans-Canada Highway Kirkland, Quebec H9J 2X8 Canada (514) 697-4232</p>
<p>China China Hewlett-Packard Company 38 Bei San Huan X1 Road Shuang Yu Shu Hai Dian District Beijing, China (86 1) 256-6888</p>	<p>Japan Hewlett-Packard Japan, Ltd. 1-27-15 Yabe, Sagamihara Kanagawa 229, Japan (81 427) 59-1311</p>	<p>Singapore Hewlett-Packard Singapore (Pte.) Ltd. 150 Beach Road #29-00 Gateway West Singapore 0718 (65) 291-9088</p>
<p>Taiwan Hewlett-Packard Taiwan 8th Floor, H-P Building 337 Fu Hsing North Road Taipei, Taiwan (886 2) 712-0404</p>		

Index

A

- A1 front panel assembly replacement, 3-3
- A2 CPU assembly replacement, 3-5
- A3 fractional-N/reference assembly replacement, 3-9
- A4 source assembly replacement, 3-10
- A5 receiver assembly replacement, 3-11
- A6 power supply assembly replacement, 3-13
- A7 display assembly replacement, 3-14
- A8 3.5" internal disk drive assembly replacement, 3-15
- absolute power accuracy specifications, 1-4
- accuracy, dynamic, 1-5
- adjustments
 - AM delay correction, 2-27
 - auxiliary input correction, 2-20
 - B* amplitude correction, 2-26
 - B amplitude correction, 2-24
 - external detector correction, 2-18
 - fractional-N spur, 2-7
 - fractional-N VCO, 2-4
 - frequency accuracy, 2-11
 - frequency response correction, 2-30
 - LO power correction, 2-15
 - order of performance, 2-1
 - R* amplitude correction, 2-29
 - reflection (one-port) correction, 2-28
 - relationship with correction constants, 2-3
 - required after assembly replacement, 3-16
 - set serial number, 2-13
 - source power (ALC) correction, 2-21
 - switched gain correction, 2-16
 - transmission (B/R) correction, 2-25
- AM delay correction adjustment, 2-27
- AM delay modulator replacement, 3-15
- analog bus menu, 5-10
- analog bus nodes, listing, 5-10
- array, listing, 5-8
- attenuator replacement, 3-15
- automated performance test required equipment, 1-12
- auxiliary input correction adjustment, 2-20

B

- B* amplitude correction adjustment, 2-26
- B amplitude correction adjustment, 2-24
- bootROM version, 5-7

C

- calibration data arrays, view, 5-13
- category 1 failures
 - dead or no response, 4-7
 - error messages, 4-7
 - no display, 4-7
 - unreadable display, 4-7
- category 2 failures
 - other RF problems, 4-17
 - phase lock lost, 4-17
 - power output problems, 4-17
- category 3 failures
 - inaccurate data, 4-25
 - spurious data, 4-25
- category 4 failures
 - peripheral device problems, 4-28
- certification, iii
- characteristics, definition, 1-2
- check, operator's or confidence, 1-6-10
- confidence check, 1-6-10
- correction constants, 8-1
 - installing from disk, 8-1
 - relationship with adjustments, 2-3
 - storing and recalling, 8-1
- CPU (A2) assembly replacement, 3-5
- CPU assembly theory, 6-2
- cross-over cable, LAN, 4-31

D

- data arrays, calibration, 5-13
- digital control theory, 6-2
- disk drive (A8) assembly replacement, 3-15
- disk drive assembly theory, 6-3
- display (A7) assembly replacement, 3-14
- display assembly theory, 6-3
- documentation, additional, 7-18
- dynamic accuracy specifications, 1-5
- dynamic range, receiver, 1-4

E

equipment, required for adjustments and automated performance tests, 1-12
extender board, instructions for use, 4-3
external detector correction adjustment, 2-18

F

failure, operator's check, 1-10
failure, types, 4-1
firmware, 8-1
 disks, 8-4
 instructions for re-installing, 8-4
 instructions for upgrading, 8-4
 re-installing, 8-4
 revision, 5-7
 updating or restoring, 8-1
 upgrading, 8-4
fractional-N/reference (A3) assembly
 replacement, 3-9
fractional-N/reference assembly theory, 6-4
fractional-N spur adjustment, 2-7
fractional-N VCO adjustment, 2-4
frequency accuracy adjustment, 2-11
frequency response correction adjustment, 2-30
front panel (A1) assembly replacement, 3-3
front panel assembly theory, 6-2

H

hardware, screws, 7-1
harmonics, specifications, 1-3
how to order parts, 3-17
how to use this guide, iii
HP-IB command reference
 for service, 5-14
 syntax summary, 5-14

I

installed memory, 5-7
installed options, 5-7
instrument warranty, 9-3
IP address, LAN, 4-30

L

LAN

 available cables, 4-33
 cross-over cable, 4-31
 IP address, 4-30
 ping command, 4-30
 subnet mask, 4-30
 troubleshooting, 4-29
LO power correction adjustment, 2-15

M

maintenance, 3.5" internal disk drive
 assembly, 3-15
meas cal options menu, 5-10
measurement port specifications, 1-2
memory upgrade, 3-7

N

normal power-up sequence, 4-5

O

operational check, 1-6-10
operator's check, 1-6-10
output power specifications, 1-3

P

part number, service kit, 4-3
parts
 accessories, 7-16-17
 cabinet, 7-16
 cable locations, 7-1
 CPU assembly, 7-4
 CPU cable locations, 7-4
 display assembly, 7-14
 display assembly cables, 7-14
 documentation, 7-18
 documentation, 7-16, 7-17
 fractional-N/reference assembly, 7-5
 fractional-N/reference cable locations, 7-5
 front panel, 7-3
 front panel cable locations, 7-3
 fuse values, 7-13
 how to order, 3-17
 HP 8711C/12C/30A:source, 7-6
 HP 8711C/12C/30A:source cables, 7-6
 HP 8711C/12C:receiver, 7-8
 HP 8711C/12C:receiver cables, 7-8
 HP 8711C/12C:receiver cables, optional
 configuration, 7-9
 HP 8711C/12C:receiver, optional
 configuration, 7-9
 HP 8713C/14C optional receiver
 configuration, 7-13
 HP 8713C/14C optional receiver
 configuration cables, 7-13
 HP 8713C/14C receiver, 7-11
 HP 8713C/14C receiver cables, 7-11
 HP 8713C/14C source, 7-7
 HP 8713C/14C source cables, 7-7
 HP 8730A:receiver, 7-10
 HP 8730A:receiver cables, 7-10
 major assembly locations, 7-1-3
 miscellaneous mechanical, 7-16
 order phone number, 3-17
 power supply, 7-13

- power supply cables, 7-13
- rebuilt-exchange replacement assemblies, 3-17
- screw types, 7-1
- service tools, 7-16, 7-17, 7-18
- upgrade kits, 7-17
- parts, replacement, 7-1
- performance, system, 1-2
- performance tests
 - absolute power accuracy, 1-23
 - AM delay modulator, 1-26
 - directivity, 1-24
 - dynamic accuracy, 1-22
 - frequency accuracy, 1-21
 - frequency response, broadband, 1-24
 - gain compression, 1-21
 - noise floor, 1-22
 - power flatness, 1-23
 - spurs, 1-25
 - trace noise, 1-26
- performance test software, 1-11
 - file structure, 1-14
 - installation, 1-16
 - using the program, 1-19
- ping command, LAN, 4-30
- post repair procedures, 3-16
- power
 - absolute, 1-4
 - maximum test port, 1-3
 - output specifications, 1-3
- power supply (A6) assembly replacement, 3-13
- power supply assembly theory, 6-2
- preventative maintenance, 3.5" internal disk drive assembly, 3-15
- probe power fuses
 - location, 3-4, 7-3
 - type, 7-3

R

- R* amplitude correction adjustment, 2-29
- rebuilt-exchange replacement assemblies, 3-17
- recalling correction constants, 8-1
- receiver
 - (A5) assembly replacement, 3-11
 - assembly theory, 6-8
 - dynamic range, 1-4
 - specifications, 1-3
 - theory, 6-6
- reflection (one-port) correction adjustment, 2-28
- re-installing the firmware, 8-4
- replaceable parts, 7-1
- replacement procedures

- A1 front panel assembly, 3-3
- A2 CPU assembly, 3-5
- A3 fractional-N/reference assembly, 3-9
- A4 source assembly, 3-10
- A5 receiver assembly, 3-11
- A6 power supply assembly, 3-13
- A7 display assembly, 3-14
- A8 3.5" internal disk drive assembly, 3-15
- AM delay modulator, 3-15
- attenuator, 3-15
- required tools, 3-1

S

- safety, 9-1
 - cautions, 9-1
 - symbols, 9-1
 - warnings, 9-1
 - warranty, 9-3
- SCPI commands
 - softkey, 5-14
 - summary, 5-14
- selecting an array, 5-8
- self-tests, 4-11
- service kit
 - contents, 4-3
 - part number, 4-3
- service related menus
 - adjustment menu, 5-5
 - analog bus menu, 5-10
 - clearing nonvolatile memory, 5-13
 - clearing SRAM, 5-13
 - introduction, 5-1
 - listing of self-tests, 5-3
 - list of adjustments, 5-5
 - meas cal options menu, 5-10
 - self-test menu selections, 5-3
 - service utilities menu 2, 5-12
 - service utilities menu 3, 5-12
 - softkey SCPE commands, 5-14
 - tests and adjustments menu, 5-3
 - update corr const menu, 5-7
 - utilities menu 1, 5-8
- service, shipment for, 9-4
- service tools, 7-16, 7-17
- service utilities menu 1, 5-8
- service utilities menu 2, 5-12
- service utilities menu 3, 5-12
- set serial number adjustment, 2-13
- shipment for service, 9-4
- signal purity specifications, 1-3
- SIMM memory upgrade, 3-7
- softkey SCPI commands, 5-14
- software
 - example programs disk, 7-16
 - firmware kit, 7-16

- IBASIC example programs disk, 7-16
- performance test, 1-11
- performance test program, 7-16
- source
 - (A4) assembly replacement, 3-10
 - assembly theory, 6-4
 - harmonics, 1-3
 - power (ALC) correction adjustment, 2-21
 - specifications, 1-2
 - theory, 6-4
- specifications
 - absolute power accuracy, 1-4
 - dynamic range, 1-4
 - frequency range, 1-3
 - frequency response, typical, 1-3
 - harmonics, 1-3
 - maximum input, broadband, 1-4
 - maximum input, narrowband, 1-4
 - maximum test port power, 1-3
 - measurement port, 1-2
 - output power, 1-3
 - signal purity, 1-3
 - source, 1-2
 - total power accuracy, 1-4
 - trace noise, 1-5
- specifications summary, definition, 1-2
- SRAM, clearing, 5-13
- static safe workstation, 4-1
- storing correction constants, 8-1
- subnet mask, LAN, 4-30
- switched gain correction adjustment, 2-16
- system
 - impedance, 5-7
 - performance, 1-2
 - specifications, 1-5
 - specifications summary, 1-2
 - theory, 6-1

T

- theory of operation, 6-1
 - CPU assembly, 6-2
 - differences between HP 8711/12B and HP 8713/14B, 6-7
 - digital control, 6-2
 - disk drive assembly, 6-3

- display assembly, 6-3
- fractional-N/reference assembly, 6-4
- front panel assembly, 6-2
- functional group, 6-2
- introduction, 6-1
- power supply assembly, 6-2
- receiver, 6-6
- receiver assembly, 6-8
- source, 6-4
- source assembly, 6-4
- system theory, 6-1
- transmission (B/R) correction adjustment, 2-25
- troubleshooting
 - category 1 failures, 4-7
 - category 2 failures, 4-17
 - category 3 failures, 4-25
 - category 4 failures, 4-28
 - dead or no response, 4-7
 - error messages, 4-7
 - how to use the extender board, 4-4
 - inaccurate data, 4-25
 - LAN, 4-29
 - no display, 4-7
 - other RF problems, 4-17
 - peripheral device problems, 4-28
 - phase lock lost, 4-17
 - power output problems, 4-17
 - spurious data, 4-25
 - types of failures, 4-1
 - unreadable display, 4-7

U

- update corr const menu, 5-7
- upgrading SIMM memory, 3-7
- upgrading the firmware, 8-4

V

- verification tests required after assembly replacement, 3-16
- view calibration data arrays, 5-13

W

- warranty, 9-3

